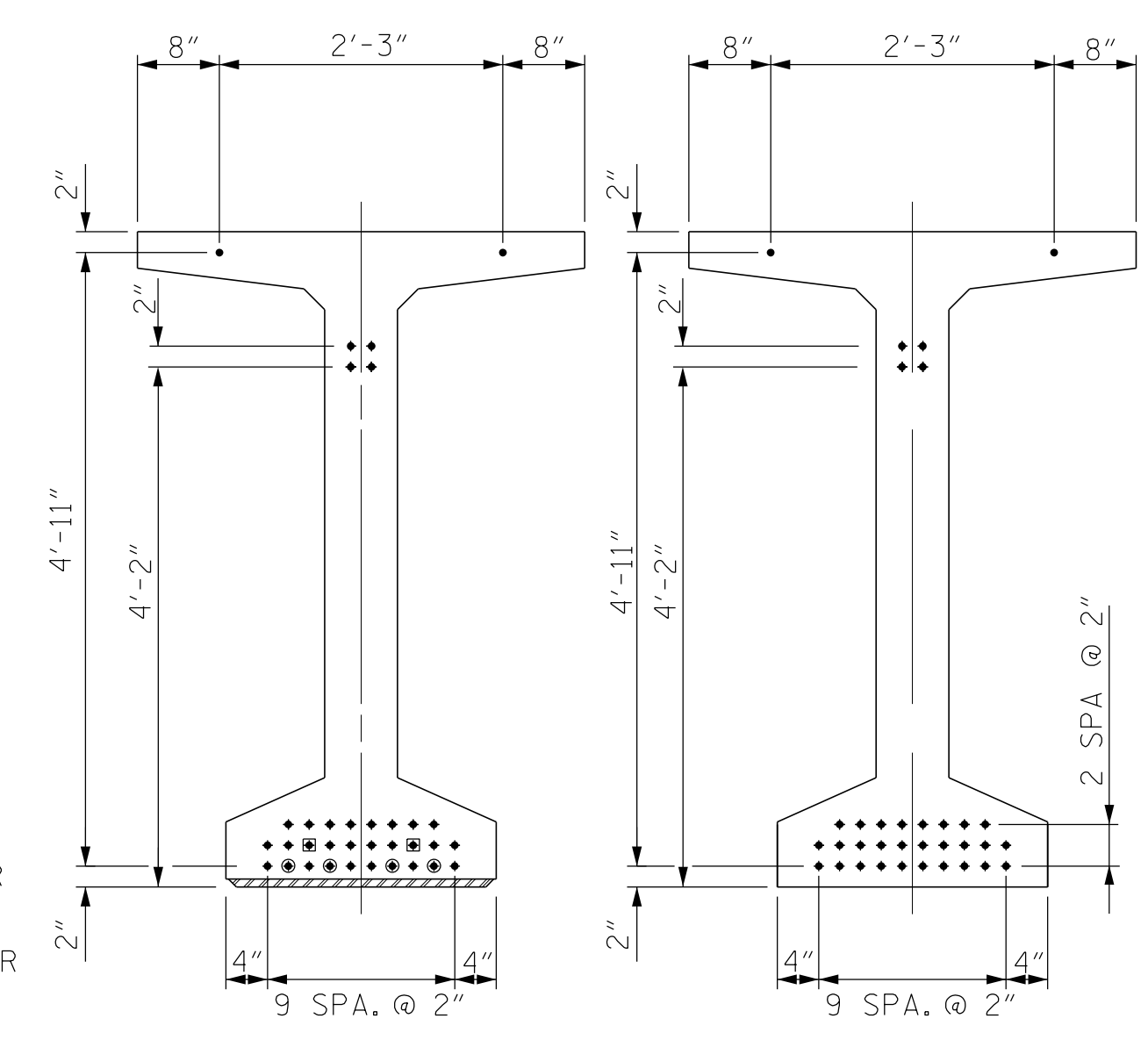


1/2" Ø FORMED HOLE. SEE ELEVATION FOR LOCATION. FOR DIM. "A", "B" & "C" SEE "INTERMEDIATE STEEL DIAPHRAGMS" SHEET.)

- DEBONDING LEGEND
- FULLY BONDED STRANDS
  - STRANDS DEBONDED FOR 8'-0" FROM END OF GIRDER
  - STRANDS DEBONDED FOR 12'-0" FROM END OF GIRDER



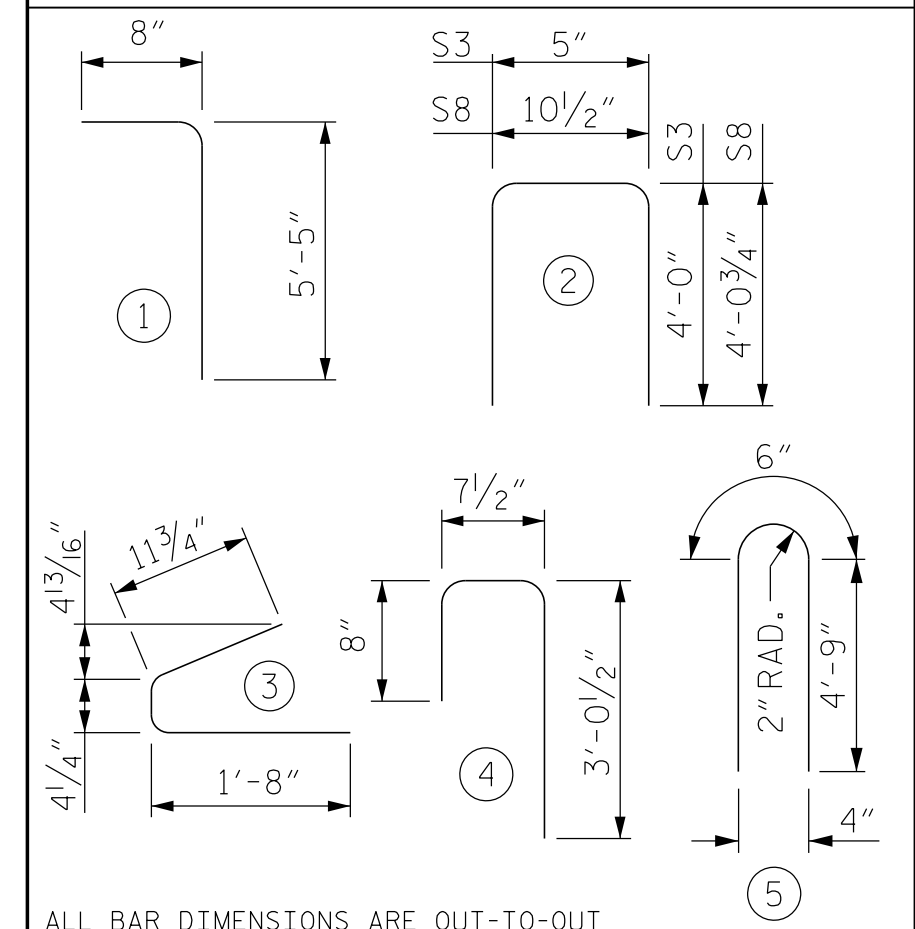
AT END OF GIRDER AT C. OF GIRDER  
0.6" Ø LOW RELAXATION STRAND LAYOUT

0.6" Ø L. R. GRADE 270 STRANDS		
AREA (SQ. INCHES)	ULTIMATE STRENGTH (LBS. PER STRAND)	APPLIED PRESTRESS (LBS. PER STRAND)
0.217	58,600	43,950

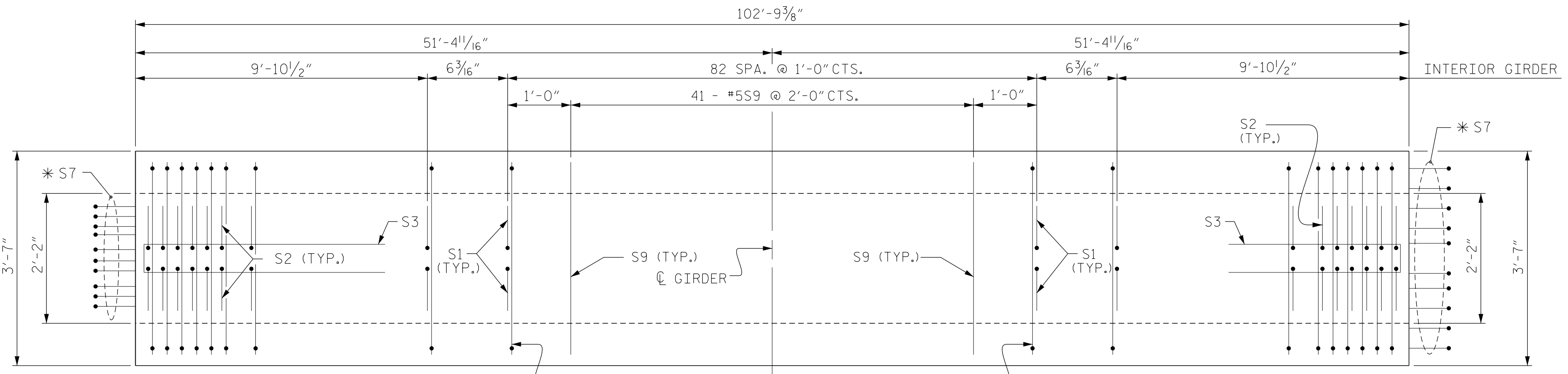
REINFORCING STEEL FOR ONE GIRDER					
BAR NUMBER	SIZE	TYPE	LENGTH	WEIGHT	
S1	230	#4	1	6'-1"	935
S2	24	#5	1	6'-1"	152
S3	12	#4	2	8'-5"	67
S4	88	#4	3	3'-0"	176
S6	254	#5	4	4'-4"	1148
*S7	30	#5	STR	3'-8"	115
S8	2	#5	2	9'-0"	19
S9	41	#5	STR	3'-3"	139
S10	2	#3	STR	1'-10"	1
S11	8	#5	5	10'-0"	83
S12	16	#4	STR	8'-0"	86

\* NOTE: S7 BARS SHALL BE BENT BEFORE SHIPMENT. HEAT BENDING SHALL NOT BE ALLOWED.

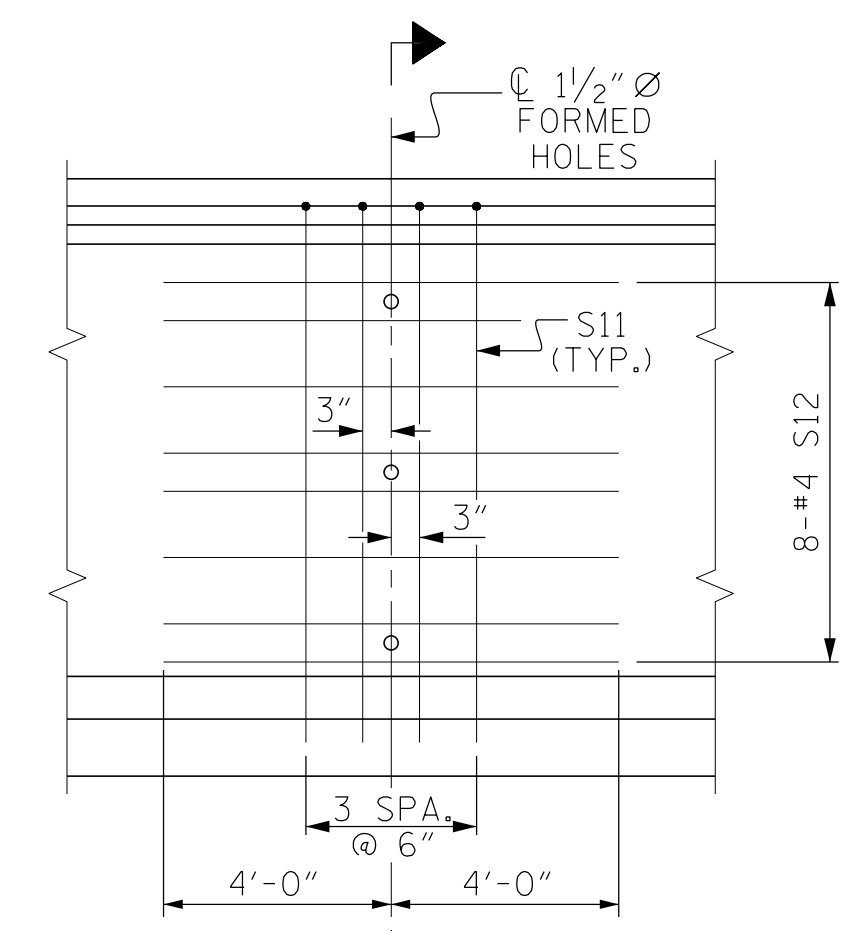
BAR TYPES



ALL BAR DIMENSIONS ARE OUT-TO-OUT



PLAN OF GIRDER



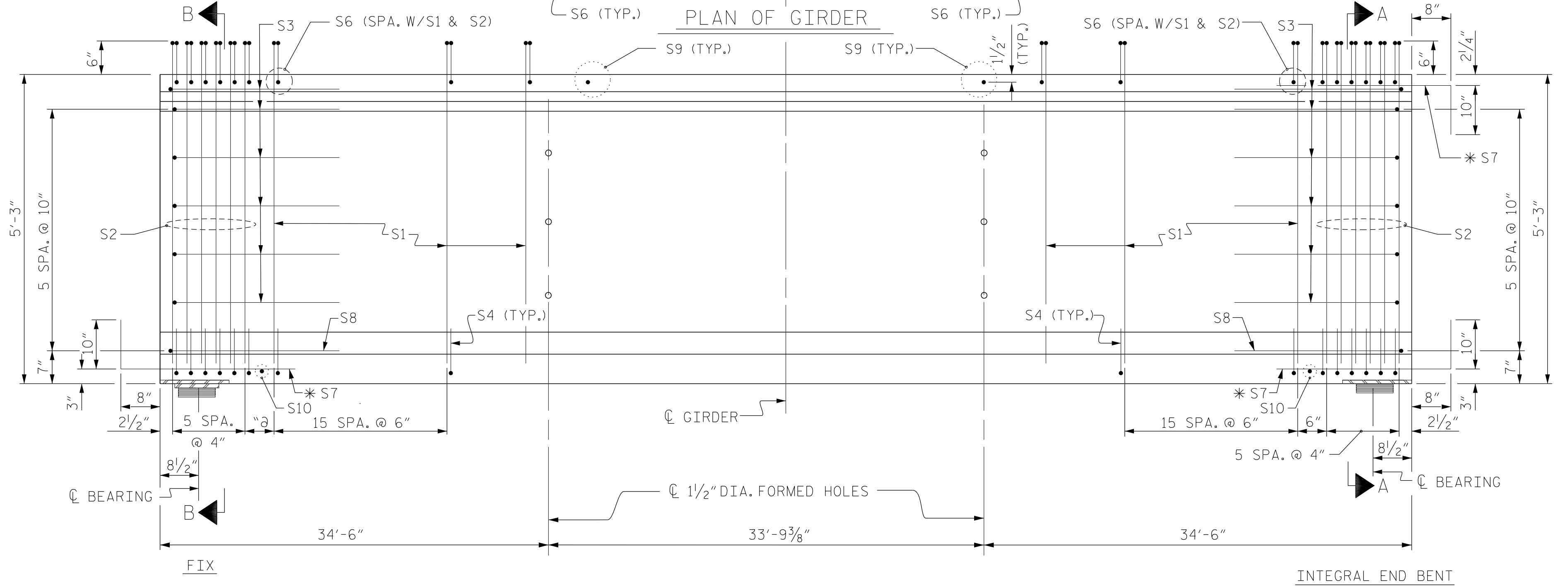
PARTIAL ELEVATION

SHOWING INTERMEDIATE STEEL DIAPHRAGM REINFORCING STEEL FOR GIRDER Nos. 1 TO 8

QUANTITIES FOR ONE GIRDER			
	REINFORCING STEEL	8,500 PSI CONCRETE	0.6" Ø L.R. STRANDS
	LB.	C.Y.	No.
EXTERIOR GIRDER	2921	20.4	34
INTERIOR GIRDER	2921	20.4	34

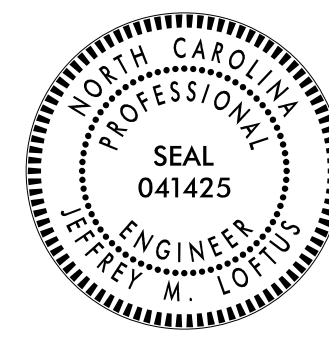
  

GIRDERS REQUIRED		
NUMBER	LENGTH	TOTAL LENGTH
8	102'-9 3/8"	822'-3"



ELEVATION OF GIRDER

PROJECT NO. R-2707C  
CLEVELAND COUNTY  
STATION: 24+07.99 -Y9- POT  
SHEET 2 OF 4



DocuSigned by: Jeff Loftus 2/2/2017

Firm License No. C-1051  
421 Fayetteville St,  
Suite 400  
Raleigh, NC 27601  
T 919.380.8750  
www.stewartinc.com



STATE OF NORTH CAROLINA  
DEPARTMENT OF TRANSPORTATION  
RALEIGH  
STANDARD  
63" PRESTRESSED CONCRETE  
MODIFIED BULB TEE  
CONTINUOUS FOR LIVE LOAD  
SPAN B

REVISIONS					
NO.	BY:	DATE:	NO.	BY:	DATE:
1			3		
2			4		

SHEET NO.	
TOTAL SHEETS	37

STR. #6 STD. NO. PCG7 (Sht. 2)

DRAWN BY: J. LOFTUS DATE: 07-16  
CHECKED BY: H. ASSFOURA DATE: 11-16  
DESIGN ENGINEER OF RECORD: J. LOFTUS DATE: 07-16

R 2707C.6  
2/2/2017  
\\406-027-R2707C-SMU-PCG2-S6-14.dgn  
USER:deFault