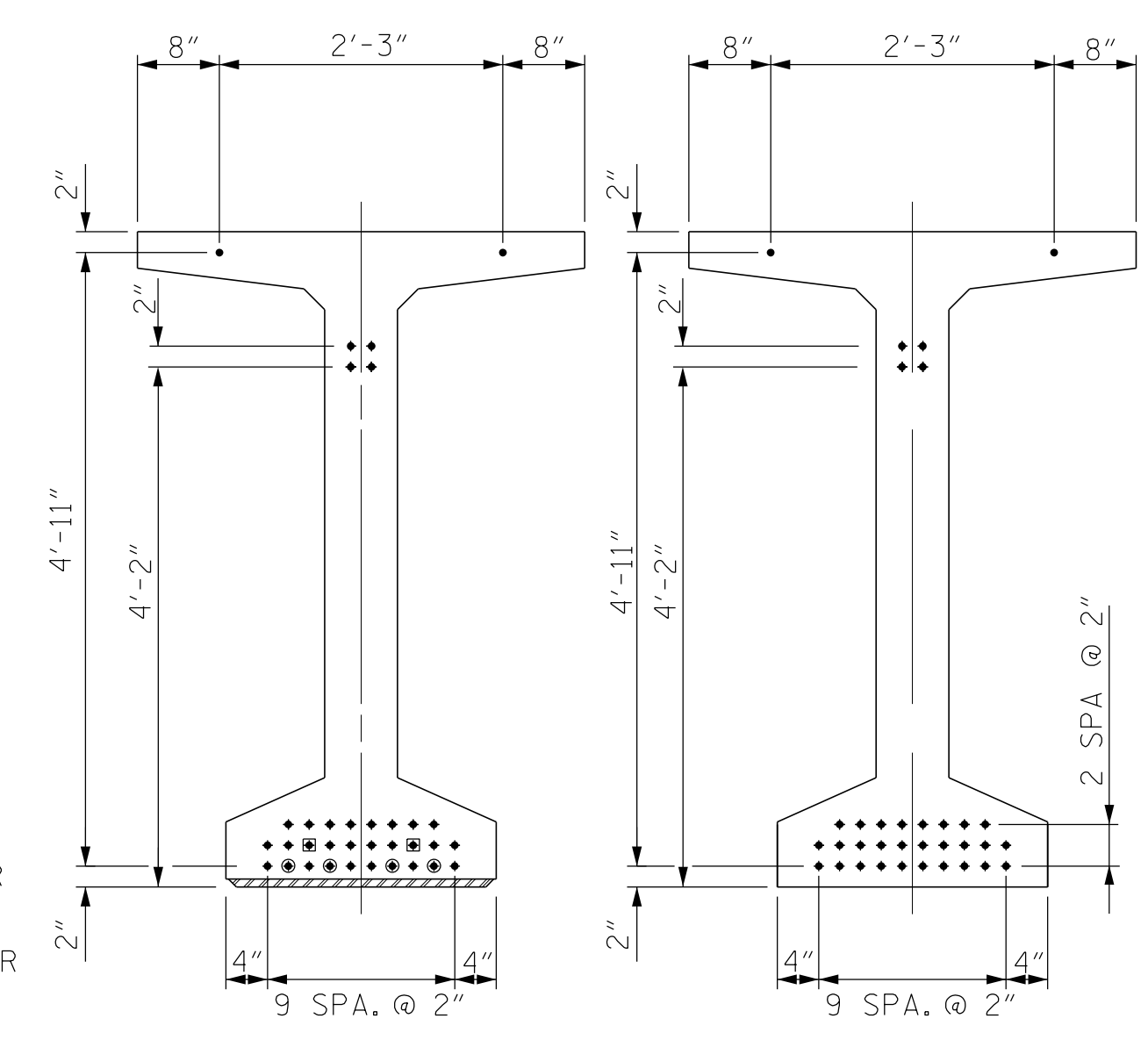
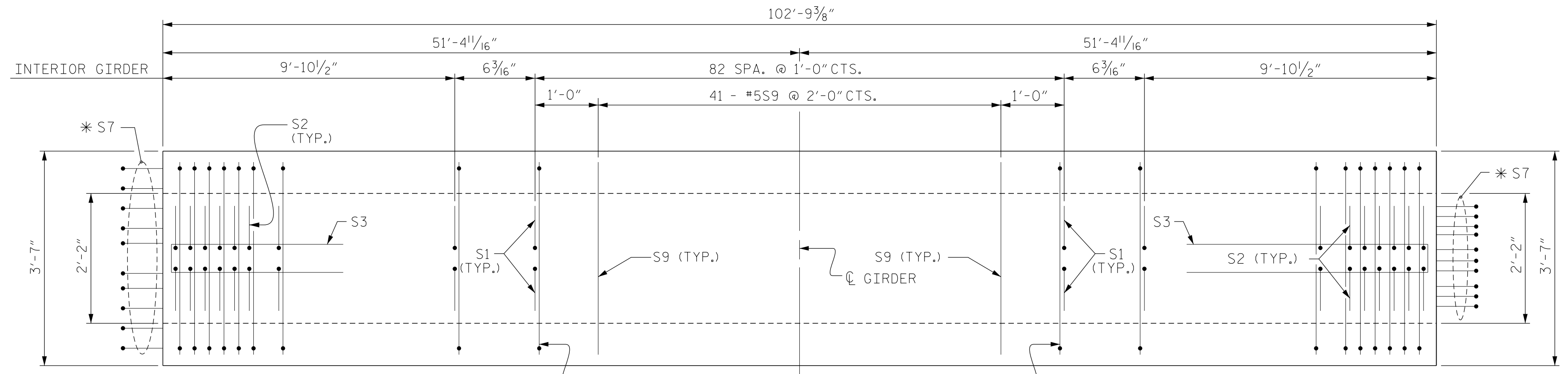


1/2" Ø FORMED HOLE. SEE ELEVATION FOR LOCATION. FOR DIM. "A", "B" & "C" SEE "INTERMEDIATE STEEL DIAPHRAGMS" SHEET.)

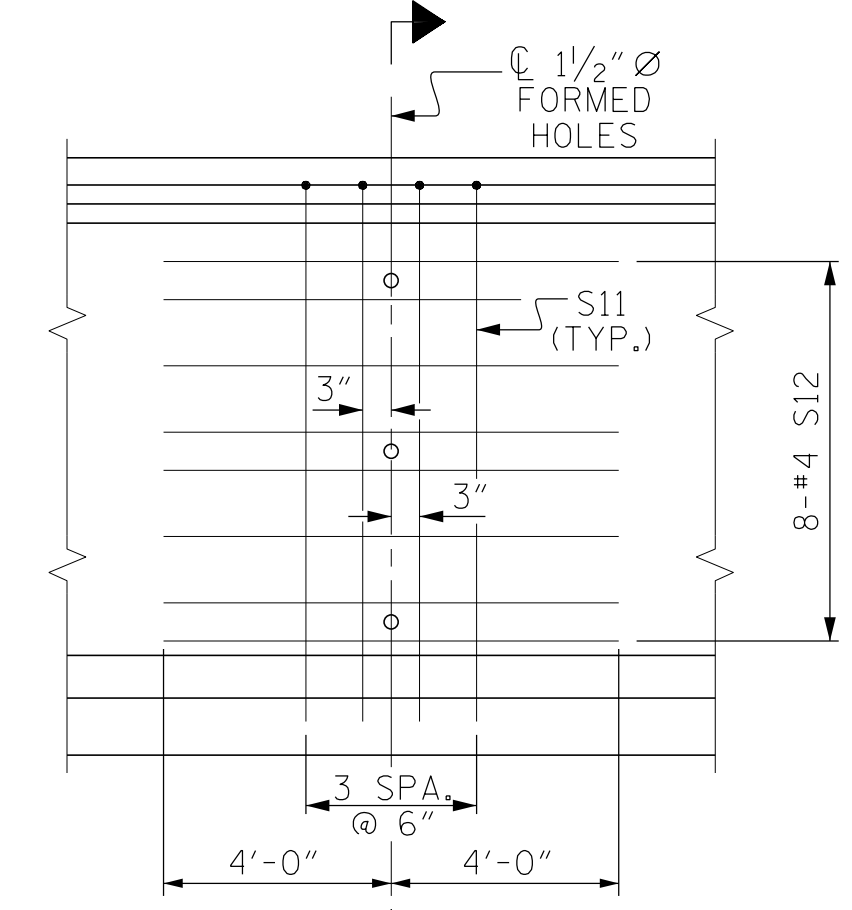
- DEBONDING LEGEND
- FULLY BONDED STRANDS
 - STRANDS DEBONDED FOR 8'-0" FROM END OF GIRDER
 - STRANDS DEBONDED FOR 12'-0" FROM END OF GIRDER



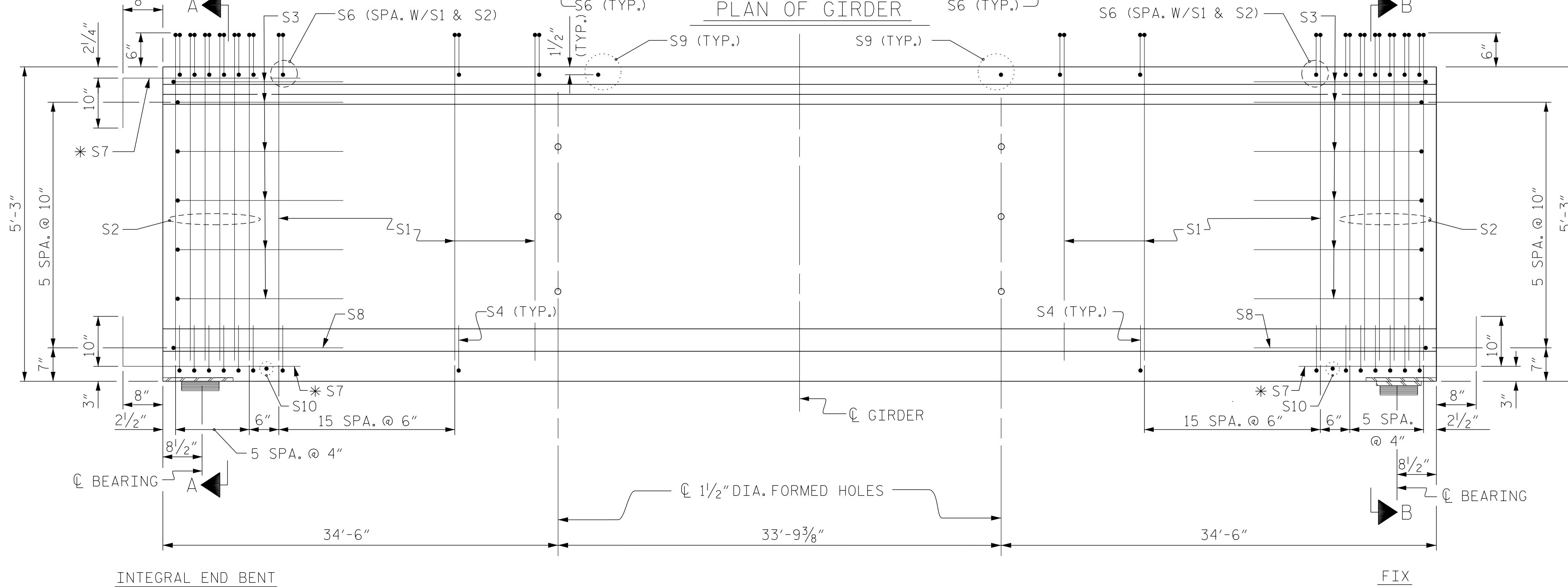
AT END OF GIRDER AT C OF GIRDER
0.6" Ø LOW RELAXATION STRAND LAYOUT



PLAN OF GIRDER



PARTIAL ELEVATION
SHOWING INTERMEDIATE STEEL DIAPHRAGM REINFORCING STEEL FOR GIRDER Nos. 1 TO 8

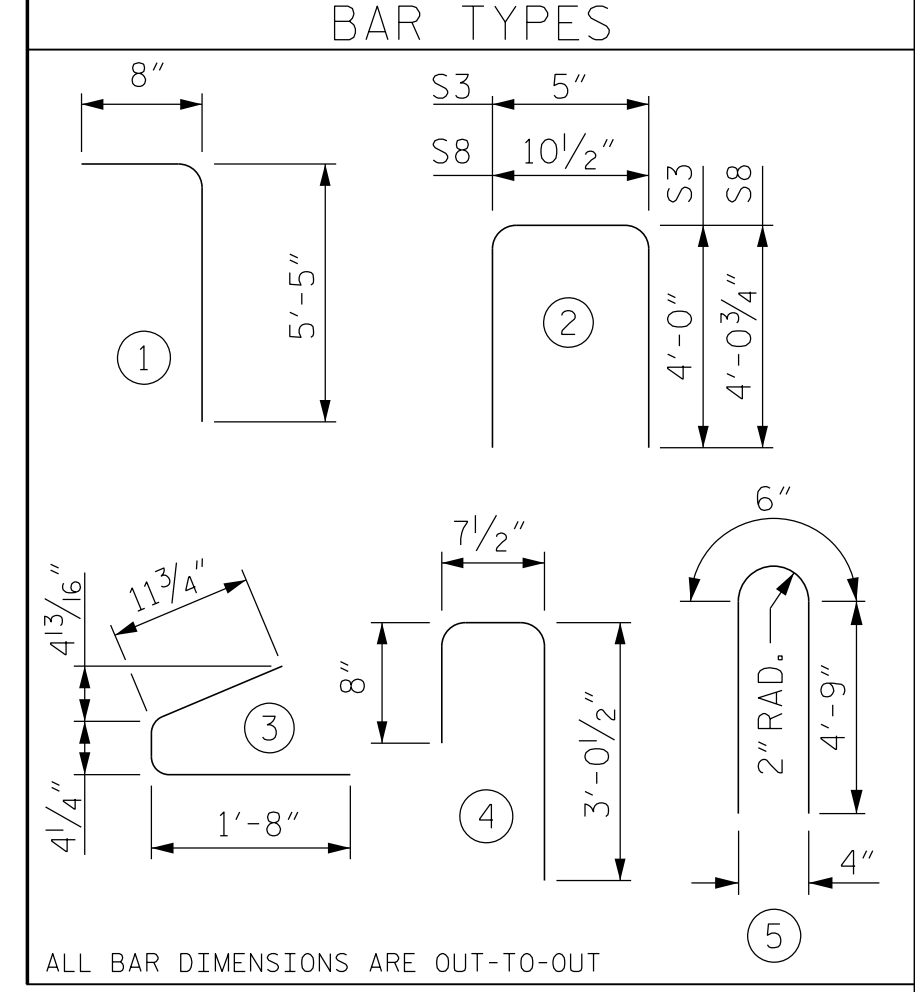


ELEVATION OF GIRDER

0.6" Ø L. R. GRADE 270 STRANDS		
AREA (SQUARE INCHES)	ULTIMATE STRENGTH (LBS. PER STRAND)	APPLIED PRESTRESS (LBS. PER STRAND)
0.217	58,600	43,950

REINFORCING STEEL FOR ONE GDR						
BAR NUMBER	SIZE	TYPE	LENGTH	WEIGHT		
S1	230	#4	1	6'-1"	935	
S2	24	#5	1	6'-1"	152	
S3	12	#4	2	8'-5"	67	
S4	88	#4	3	3'-0"	176	
S6	254	#5	4	4'-4"	1148	
*S7	30	#5	STR	3'-8"	115	
S8	2	#5	2	9'-0"	19	
S9	41	#5	STR	3'-3"	139	
S10	2	#3	STR	1'-10"	1	
S11	8	#5	5	10'-0"	83	
S12	16	#4	STR	8'-0"	86	

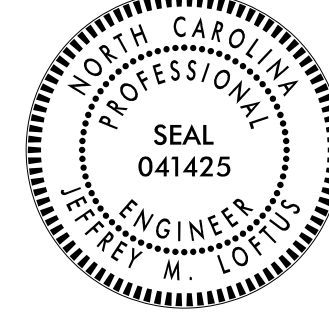
* NOTE: S7 BARS SHALL BE BENT BEFORE SHIPMENT. HEAT BENDING SHALL NOT BE ALLOWED.



QUANTITIES FOR ONE GIRDER			
	REINFORCING STEEL	8,500 PSI CONCRETE	0.6" Ø L.R. STRANDS
	LB.	C.Y.	No.
EXTERIOR GIRDER	2921	20.4	34
INTERIOR GIRDER	2921	20.4	34

GIRDERS REQUIRED		
NUMBER	LENGTH	TOTAL LENGTH
8	102'-9 3/8"	822'-3"

PROJECT NO. R-2707C
CLEVELAND COUNTY
STATION: 24+07.99 -Y9- POT
SHEET 1 OF 4



DocuSigned by: Jeff Loftus
FES1DD202E7940... 2/2/2017

Firm License No. C-1051
421 Fayetteville St,
Suite 400
Raleigh, NC 27601
T 919.380.8750
www.stewartinc.com

STATE OF NORTH CAROLINA
DEPARTMENT OF TRANSPORTATION
RALEIGH
STANDARD
63" PRESTRESSED CONCRETE
MODIFIED BULB TEE
CONTINUOUS FOR LIVE LOAD
SPAN A

REVISIONS						SHEET NO.
NO.	BY:	DATE:	NO.	BY:	DATE:	S6-13
1			3			TOTAL SHEETS
2			4			37

STR. #6 STD. NO. PCG7 (Sht. 2)

DRAWN BY: J. LOFTUS DATE: 07-16
CHECKED BY: H. ASSFOURA DATE: 11-16
DESIGN ENGINEER OF RECORD: J. LOFTUS DATE: 07-16

R 2707C.6
2/2/2017
\\406-025-R2707C-SMU-PCG1-S6-13.dgn
USER:deFault