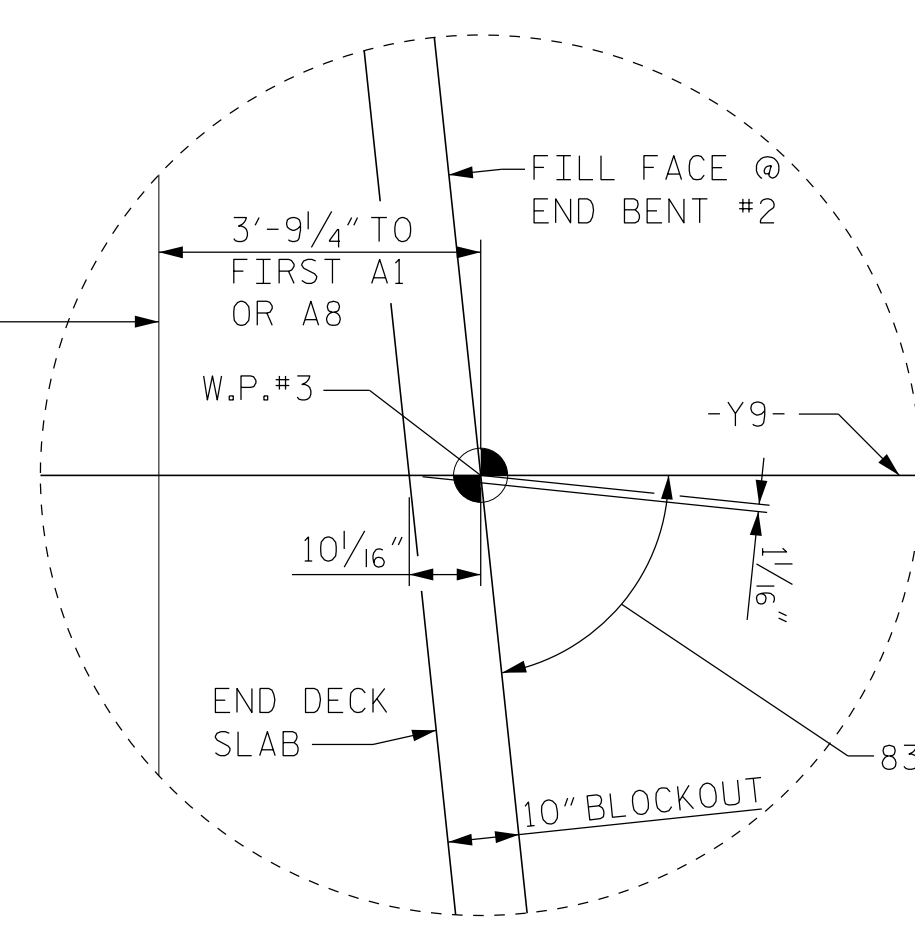
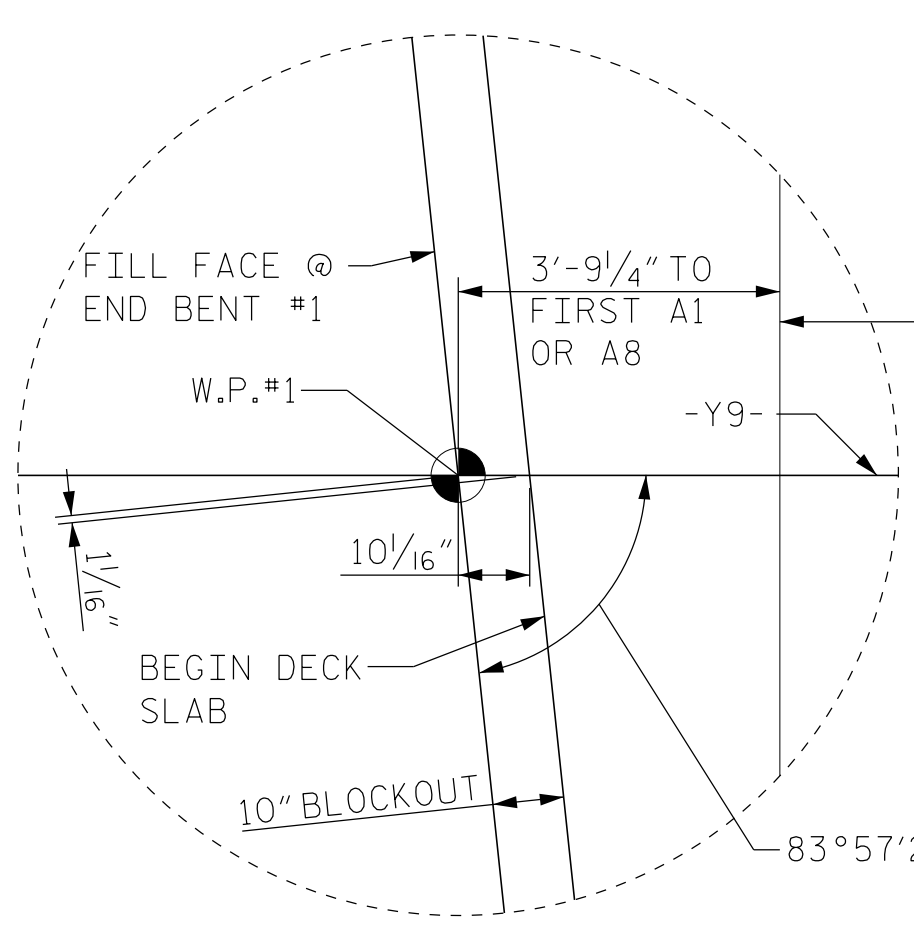
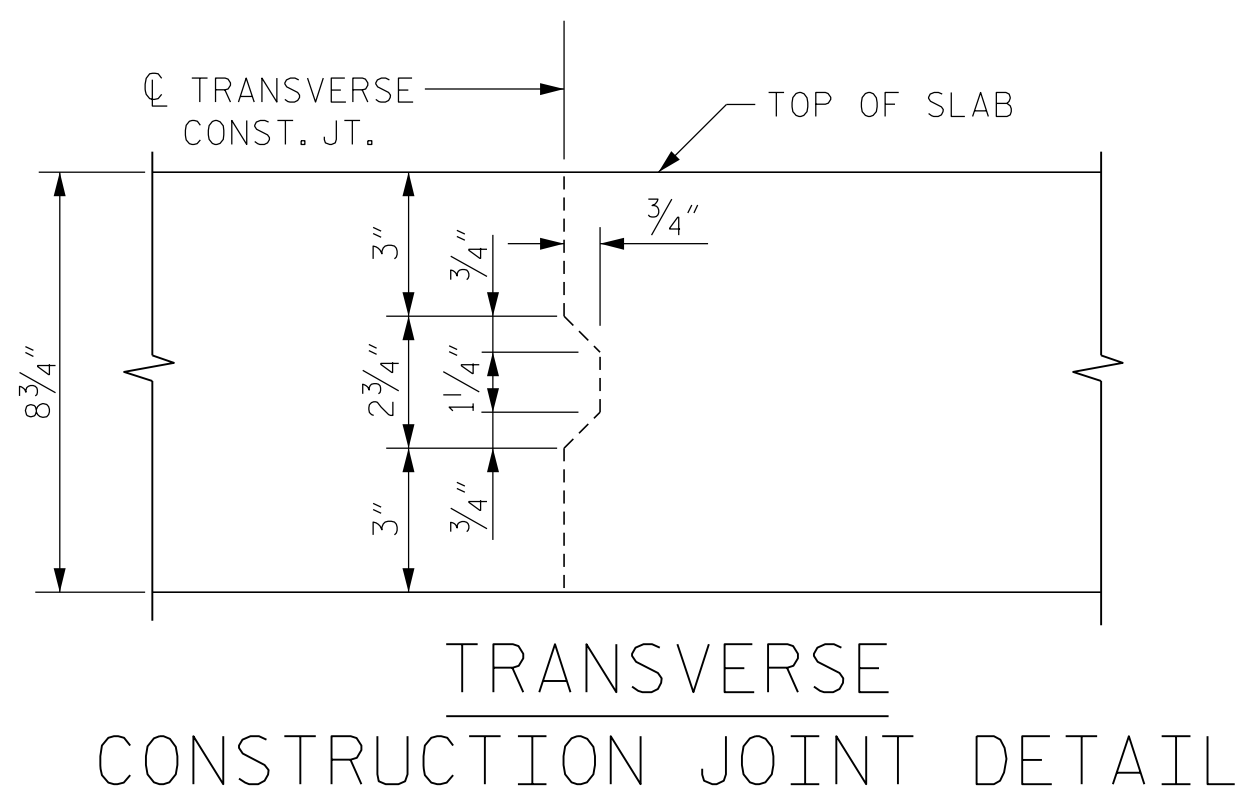


SPAN A

PLAN OF SPANS

SPAN B

NOTE: FOR REINFORCING STEEL AT ABUTMENT WALL, SEE SHEET S6-8



PROJECT NO. R-2707C

CLEVELAND COUNTY

STATION: 24+07.99 -Y9- POT

SHEET 1 OF 4



DocuSigned by: Jeff Loftus 2/2/2017

Firm License No. C-1051
421 Fayetteville St., Suite 400
Raleigh, NC 27601
T 919.380.8750
www.stewartinc.com

STEWART

| | | | | | |
|--|-----|-------|-----|-----|-----------------|
| STATE OF NORTH CAROLINA DEPARTMENT OF TRANSPORTATION RALEIGH | | | | | |
| SUPERSTRUCTURE PLAN OF SPANS | | | | | |
| REVISIONS | | | | | |
| NO. | BY: | DATE: | NO. | BY: | DATE: |
| 1 | | | 3 | | |
| 2 | | | 4 | | |
| SHEET NO. S6-7 | | | | | TOTAL SHEETS 37 |

STR. #6

R 2707C.6

2/2/2017
\\406_013_R2707C_SMU_SP1_S6-7.dgn
USER:jeffloftus

DRAWN BY: J. LOFTUS DATE: 07-16
CHECKED BY: H. ASSFOURA DATE: 11-16
DESIGN ENGINEER OF RECORD: J. LOFTUS DATE: 07-16