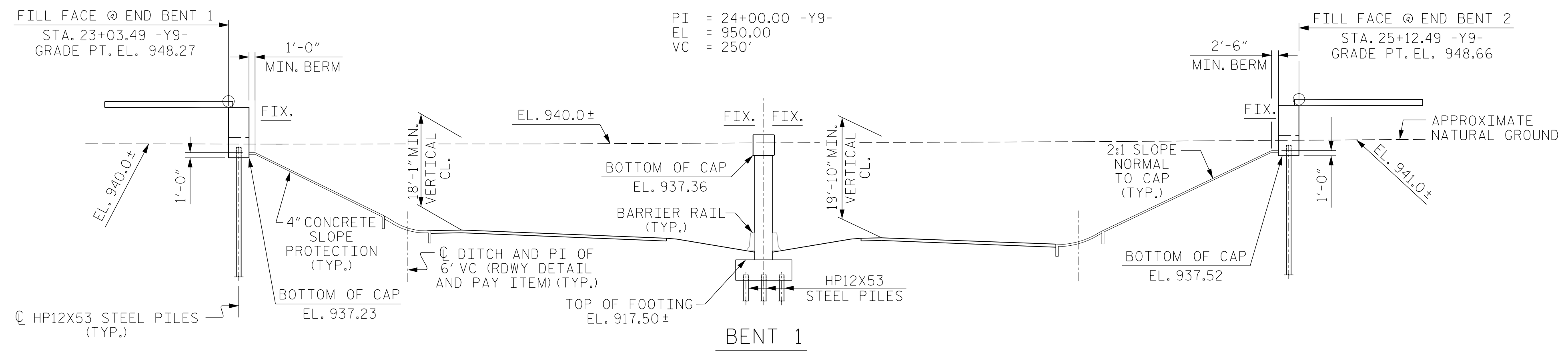


22+50 23+00 23+50 24+00 24+50 25+00 25+50

GRADE DATA

SPAN A (+)1.7476% (-)1.1806% SPAN B

PI = 24+00.00 -Y9-
EL = 950.00
VC = 250'



INTEGRAL END BENT 1 SECTION ALONG -Y9- INTEGRAL END BENT 2

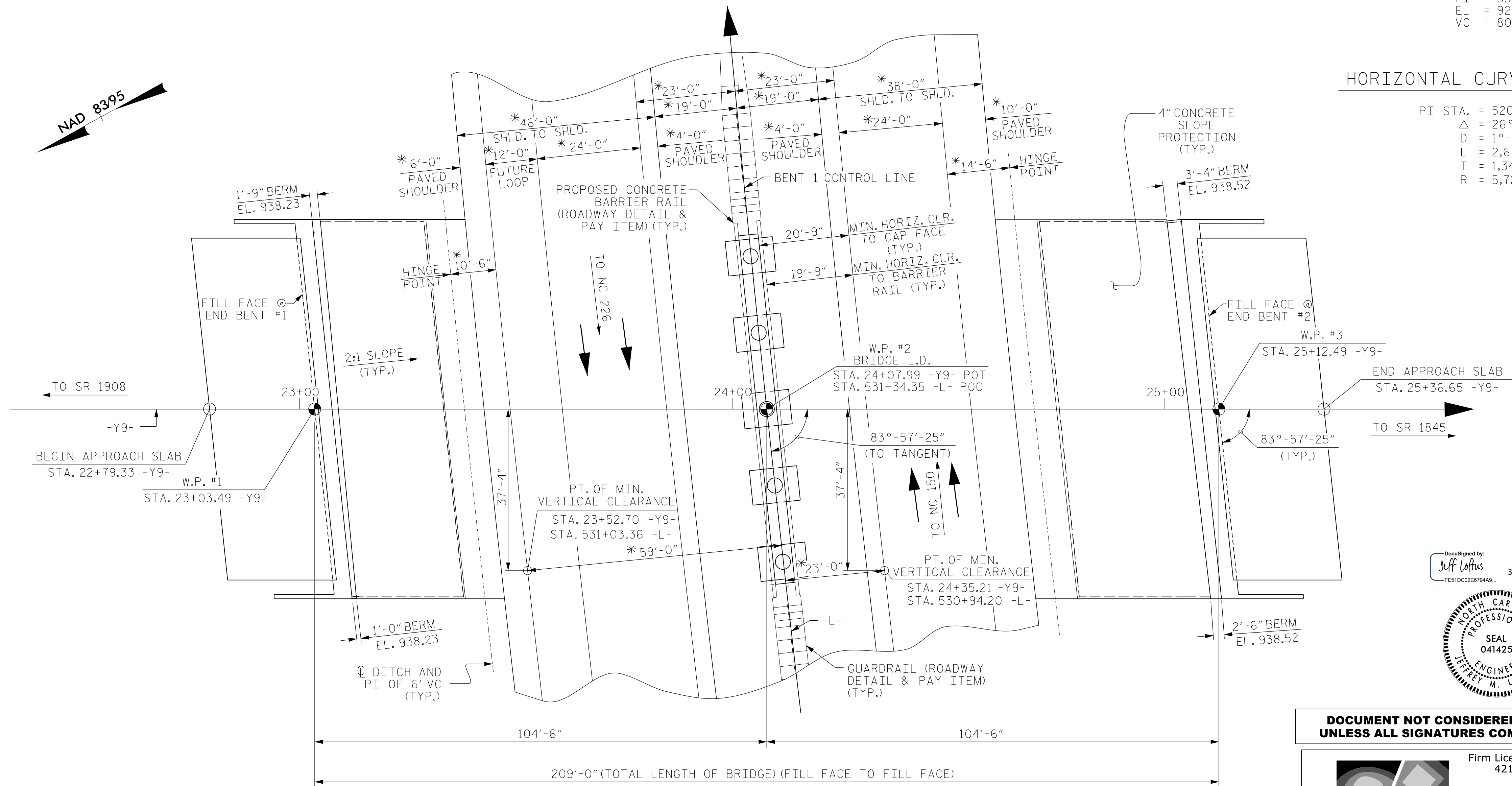
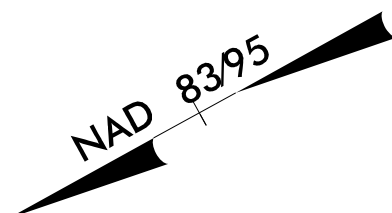
SECTION AT END BENTS AND BENT TAKEN AT RIGHT ANGLES

GRADE DATA FOR -L-

(+)1.2866% (-)0.5000%
PI = 531+00.00 -L-
EL = 924.00
VC = 800'

HORIZONTAL CURVE DATA FOR -L-

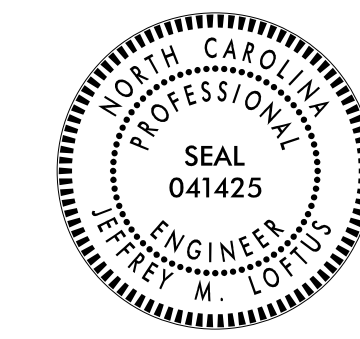
PI STA. = 520+51.16 -L-
Δ = 26°-25'-21.1" (RT)
D = 1°-00'-00.0"
L = 2,642.25'
T = 1,345.05'
R = 5,729.58'



PLAN

PILES ARE NOT SHOWN IN PLAN VIEW FOR CLARITY
* RADIAL DIMENSION

DocuSigned by:
Jeff Loftus 3/24/2017



DOCUMENT NOT CONSIDERED FINAL
UNLESS ALL SIGNATURES COMPLETED

STEWART
Firm License No. C-1051
421 Fayetteville St,
Suite 400
Raleigh, NC 27601
T 919.380.8750
www.stewartinc.com

PROJECT NO. R-2707C
CLEVELAND COUNTY
STATION: 24+07.99 -Y9- POT
531+34.35 -L- POC
SHEET 1 OF 4 BRIDGE NO. 471

STATE OF NORTH CAROLINA
DEPARTMENT OF TRANSPORTATION
RALEIGH
GENERAL DRAWING
FOR BRIDGE OVER
US 74/SHELBY BYPASS
ON NC 18 (FALLSTON RD.)
BETWEEN SR 1845 AND SR 1908

REVISIONS						SHEET NO.
NO.	BY:	DATE:	NO.	BY:	DATE:	S6-1
1			3			TOTAL SHEETS
2			4			37

STR. #6

3/24/2017
DRAWN BY: J. LOFTUS DATE: 07-16
CHECKED BY: H. ASSFOURA DATE: 11-16
DESIGN ENGINEER OF RECORD: J. LOFTUS DATE: 07-16

R 2707C-6
\\406_001-R2707C-SMU-CD1-S6-1.dgn
USERdefault