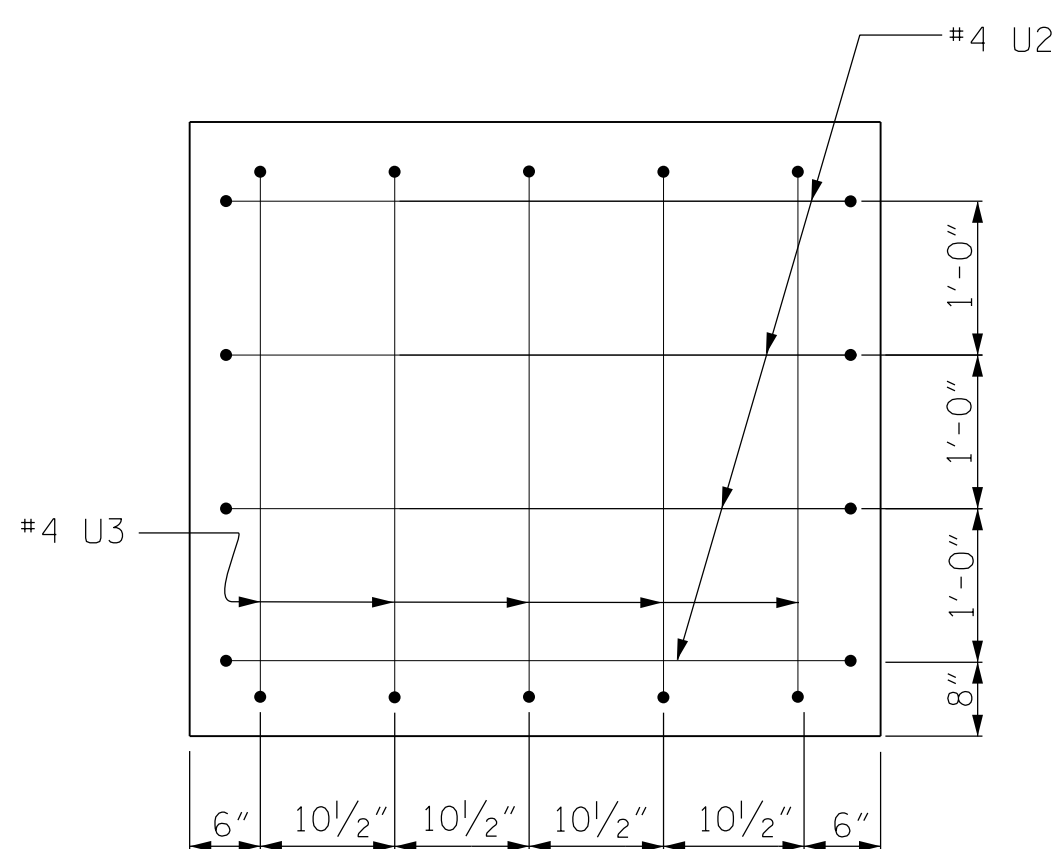
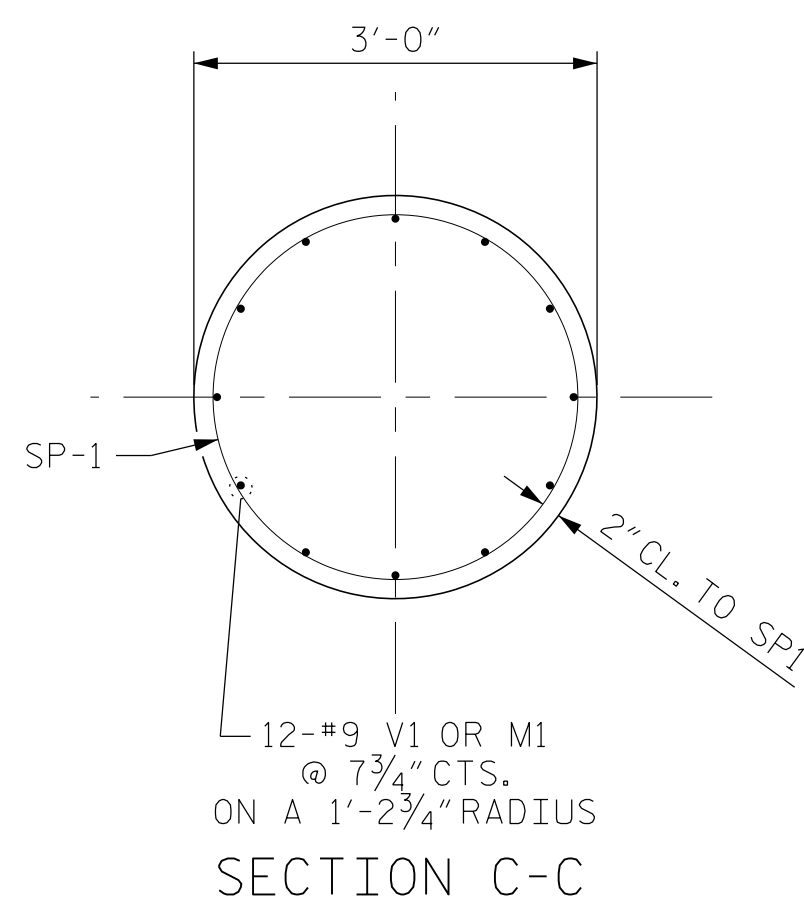


PLAN OF FOOTINGS

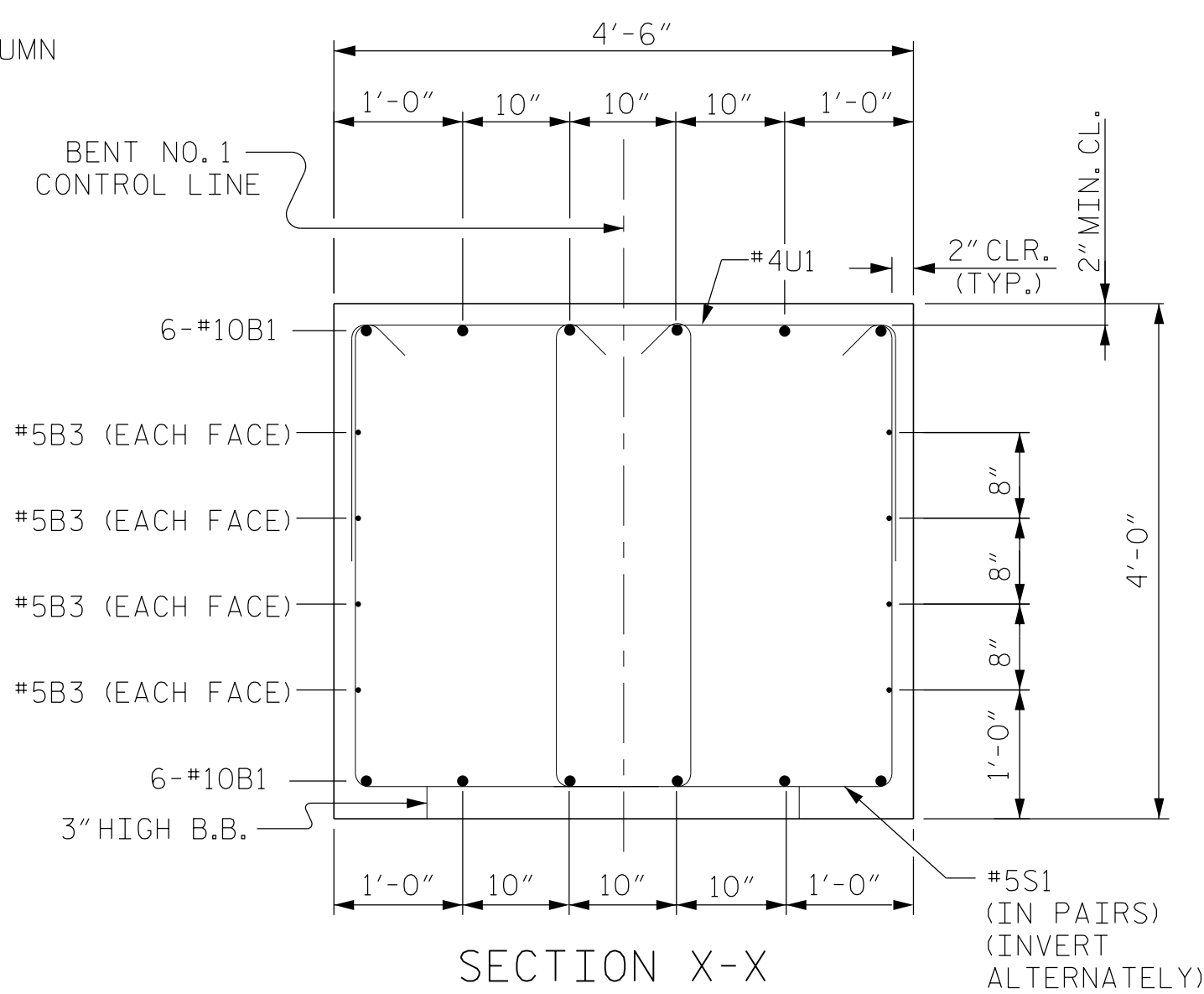
NOTE: DIMENSIONS SHOWN ARE TYPICAL FOR EACH FOOTING



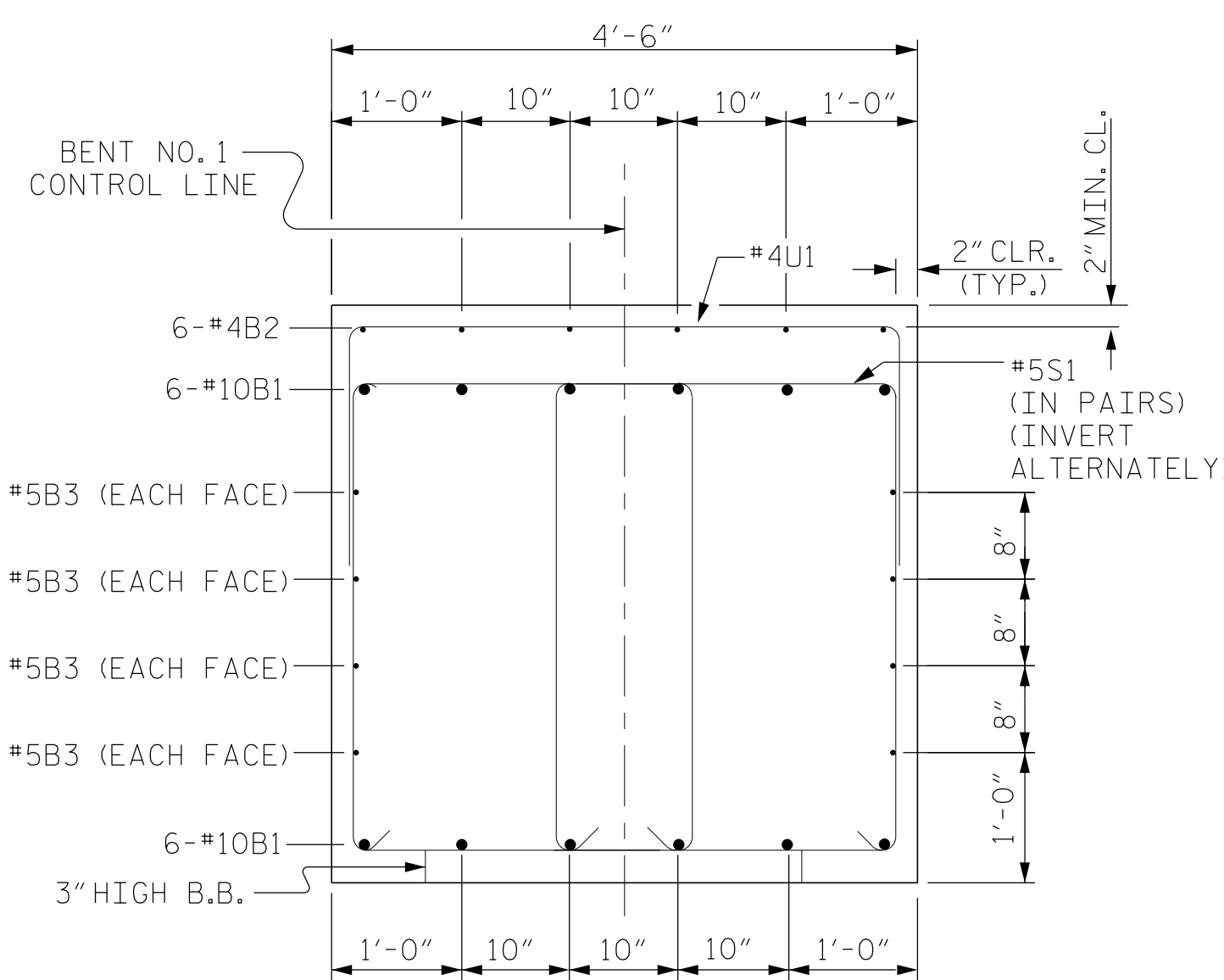
END OF CAP VIEW



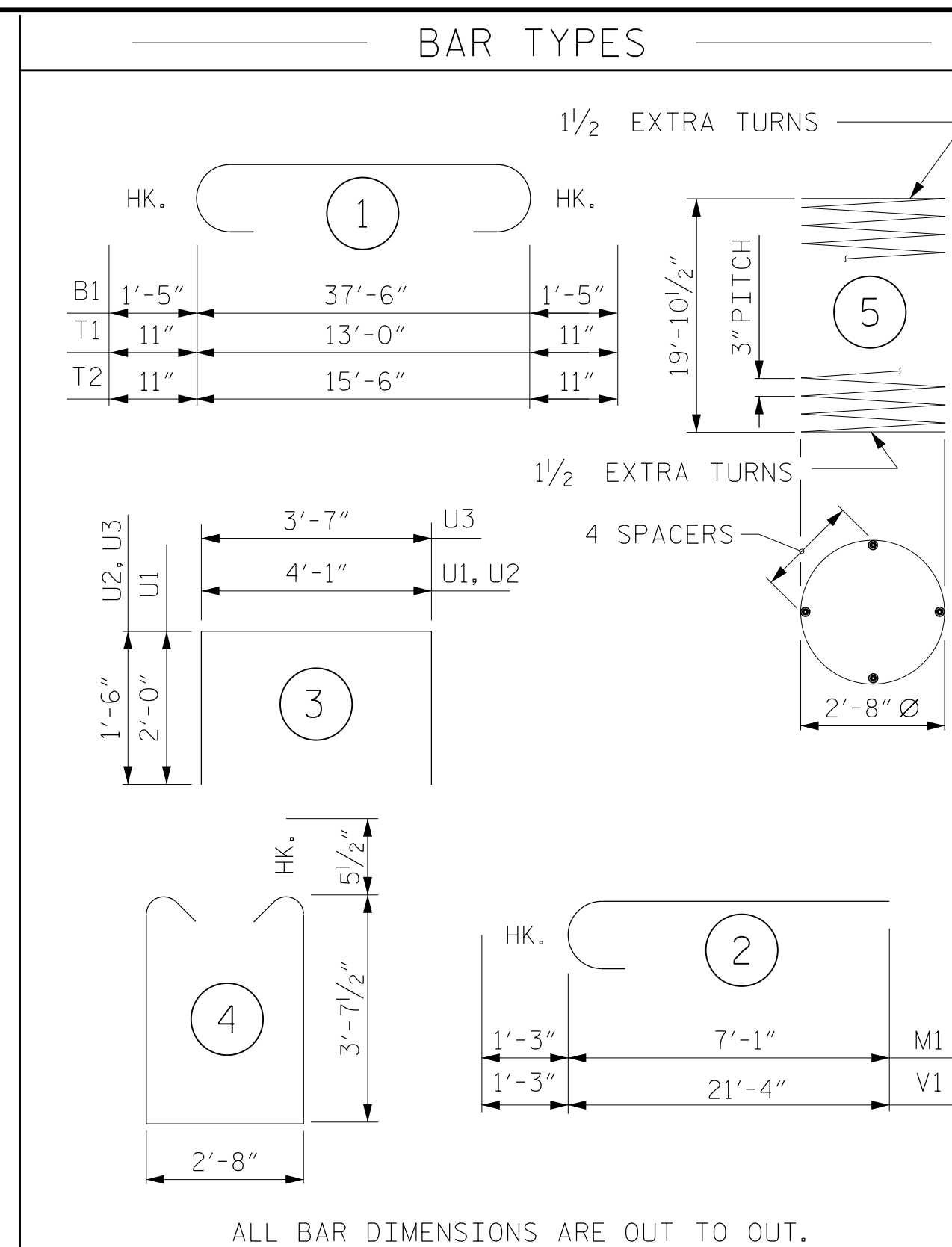
SECTION C-C



SECTION X-X



SECTION Y-Y



ALL BAR DIMENSIONS ARE OUT TO OUT.

BILL OF MATERIAL					
BAR	NO.	SIZE	TYPE	LENGTH	WEIGHT
B1	12	#10	1	40'-4"	2,083
B2	6	#4	STR	28'-8"	115
B3	8	#5	STR	37'-8"	314
M1	36	#9	2	8'-4"	1,020
S1	120	#5	4	10'-10"	1,356
T1	108	#8	1	14'-10"	4,277
T2	108	#8	1	17'-4"	4,998
U1	44	#4	3	8'-1"	238
U2	8	#4	3	7'-1"	38
U3	10	#4	3	6'-7"	44
V1	36	#9	2	22'-7"	2,764
REINFORCING STEEL (BENT NO. 1)				17,247 LBS.	
SP-1	3	*	5	680'-2"	1,363
SPIRAL COLUMN REINFORCING STEEL (BENT NO. 1)				1,363 LBS.	
* THE SP-1 SPIRAL REINFORCING STEEL SHALL BE W20 OR D-20 COLD DRAWN WIRE OR #4 PLAIN OR DEFORMED BAR					
CLASS A CONCRETE					
POUR #1 (SPREAD FOOTING)				66.0	C.Y.
POUR #2 (COLUMNS)				15.4	C.Y.
POUR #3 (CAP)				27.3	C.Y.
TOTAL CLASS A CONCRETE				108.7	C.Y.

PROJECT NO. R-2707C
CLEVELAND COUNTY
 STATION: 24+05.50-Y4-REV POT

SHEET 2 OF 2



DocuSigned by:
 Jeff Loftus 2/3/2017

Firm License No. C-1051
 421 Fayetteville St,
 Suite 400
 Raleigh, NC 27601
 T 919.380.8750
 www.stewartinc.com



STATE OF NORTH CAROLINA DEPARTMENT OF TRANSPORTATION RALEIGH					
SUBSTRUCTURE BENT NO. 1 DETAILS					
REVISIONS					SHEET NO.
NO.	BY:	DATE:	NO.	BY:	DATE:
1			3		
2			4		
					S5-23
					TOTAL SHEETS
					29

STR. #5

DRAWN BY: H.ASSFOURA DATE: 06/16
 CHECKED BY: J.LOFTUS DATE: 11/16
 DESIGN ENGINEER OF RECORD: J.LOFTUS DATE: 01/17

R 2707C.5
 2/3/2017
 \\V05-045-R2707C-SMU-1B02-S5-23.dgn
 USERdefault