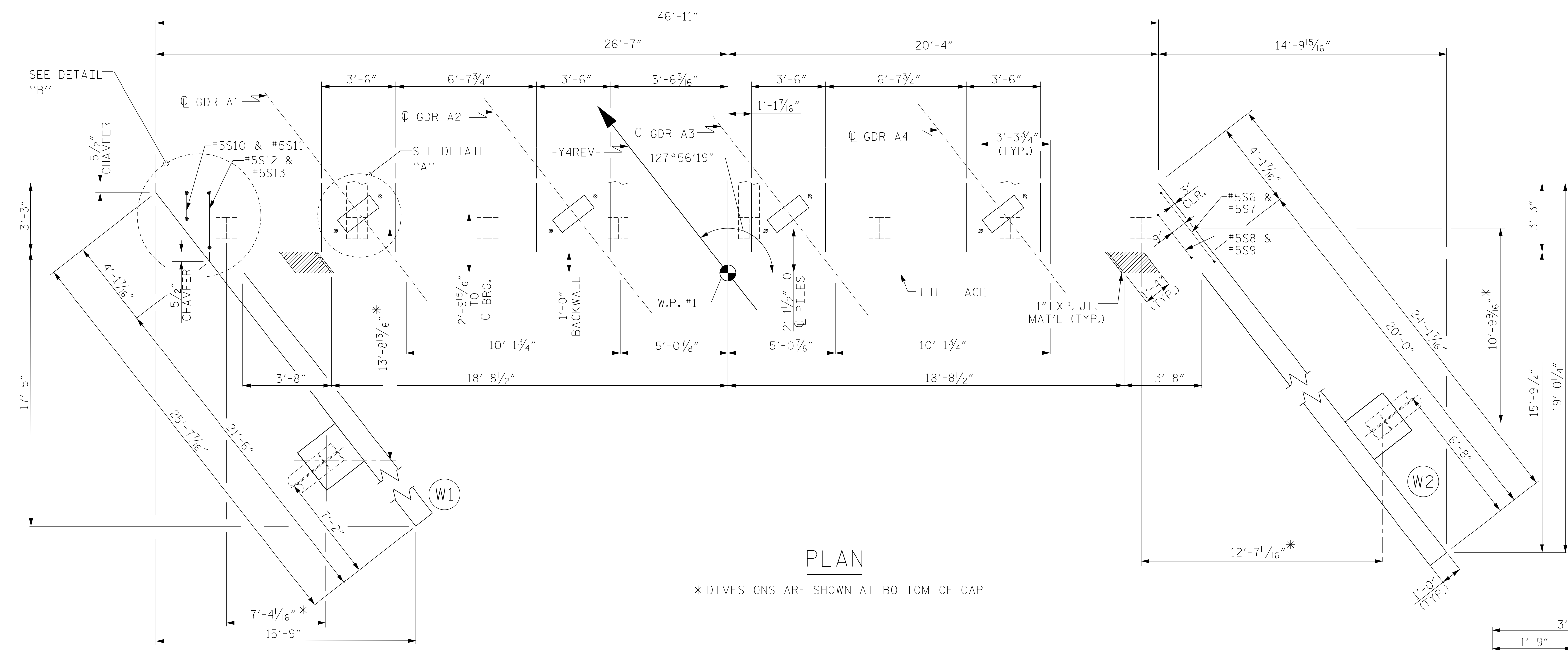


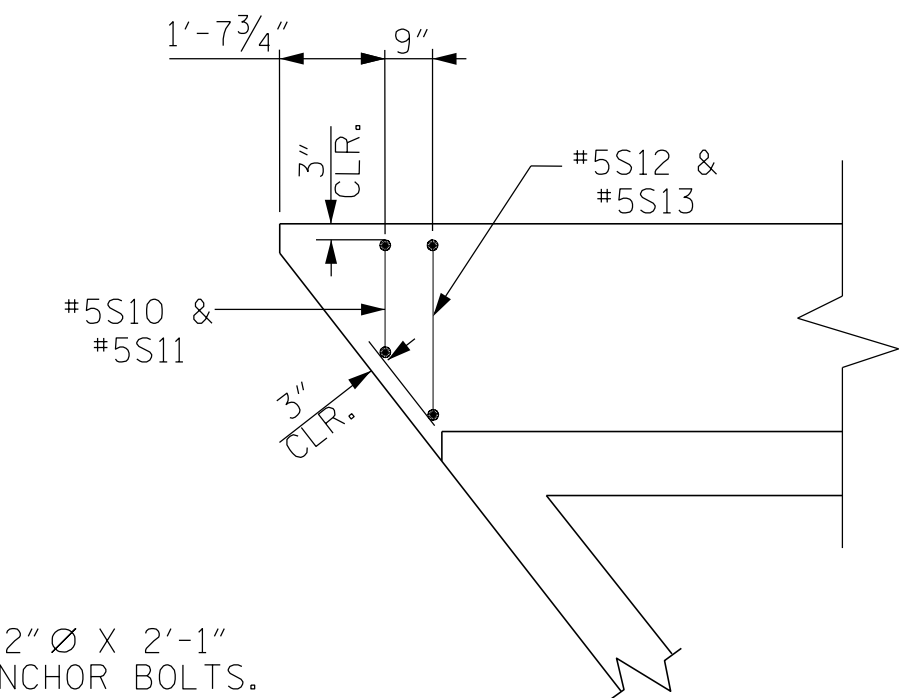
NOTES

- STIRRUPS IN CAP MAY BE SHIFTED AS NECESSARY TO CLEAR ANCHOR BOLTS.
- THE CONCRETE IN THE SHADED AREA OF THE WING SHALL BE POURED AFTER THE VERTICAL CONCRETE BARRIER RAIL IS CAST IF SLIP FORMING IS USED.
- FOR BEARING DETAILS, SEE ELASTOMERIC BEARING DETAILS SHEET.
- FOR PILE SPLICE DETAILS, SEE SHEET 3 OF 3.
- BACKWALL SHALL BE PLACED BEFORE APPLYING THE EPOXY PROTECTIVE COATING.
- THE TOP SURFACE AREAS OF THE END BENT CAPS SHALL BE CURED IN ACCORDANCE WITH THE STANDARD SPECIFICATIONS EXCEPT THE MEMBRANE CURING COMPOUND METHOD SHALL NOT BE USED.
- INSTALL THE 4" DIA. DRAIN PIPE THROUGH THE WING WALL AS REQUIRED FOR REINFORCED BRIDGE APPROACH FILLS, SEE THE ROADWAY PLANS. REINFORCING STEEL IN THE WING WALL MAY BE SHIFTED AS NECESSARY TO CLEAR THE DRAIN PIPE.

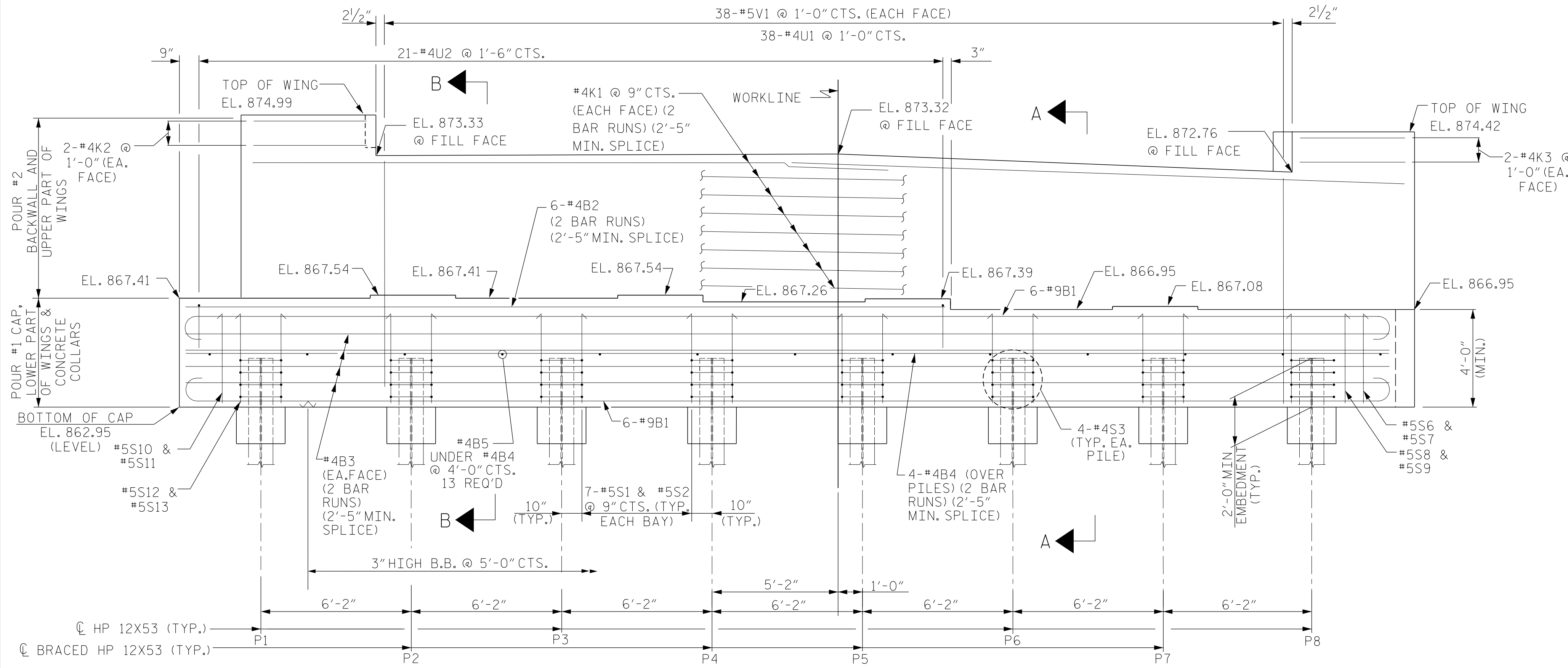


PLAN

* DIMESIONS ARE SHOWN AT BOTTOM OF CAP

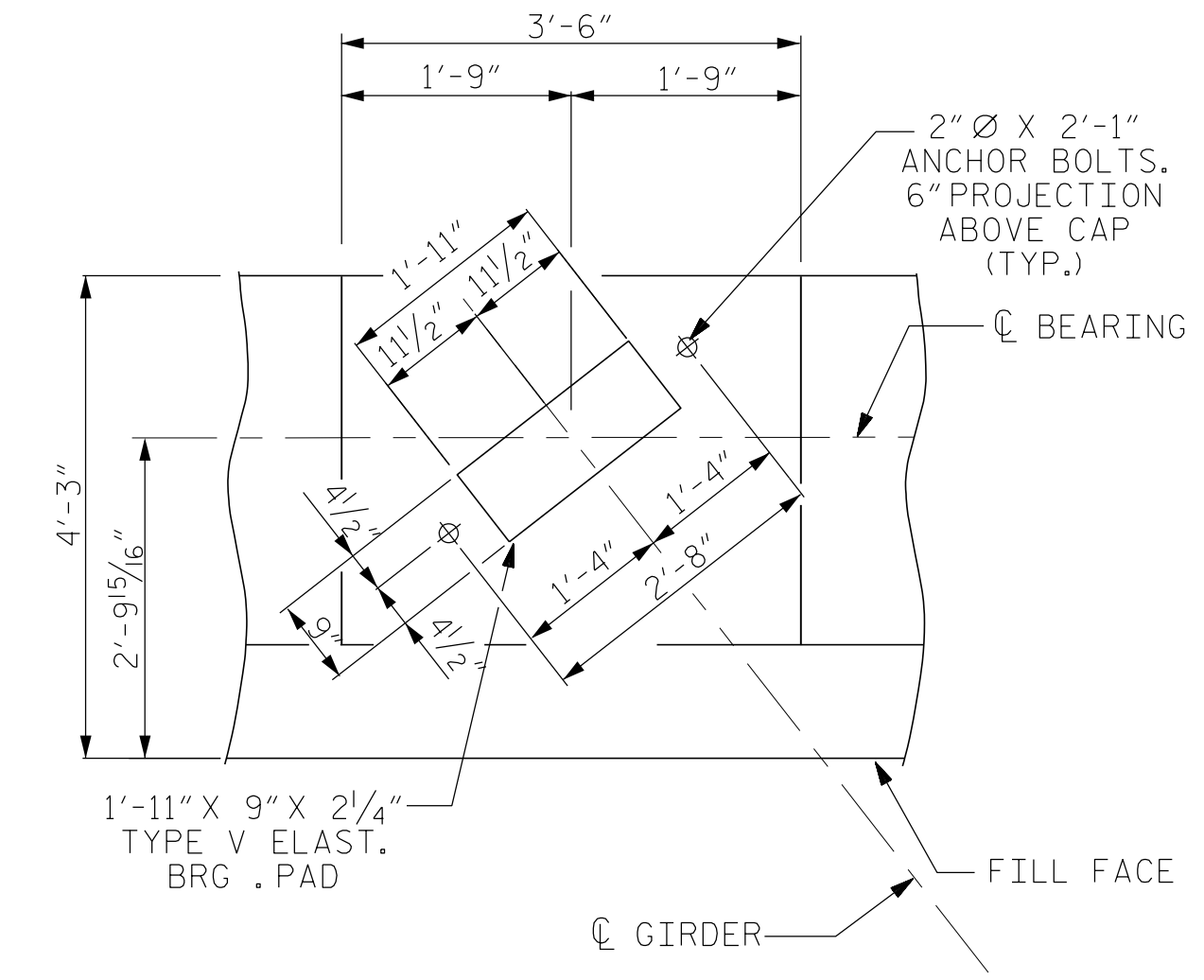


DETAIL "B"



ELEVATION

WINGS NOT SHOWN FOR CLARITY.
 FOR SECTIONS A-A & B-B, SEE SHEET 3 OF 3.
 CONCRETE COLLARS FOR STEEL PILES NOT SHOWN IN PLAN VIEW FOR CLARITY.
 SEE "CORROSION PROTECTION FOR STEEL PILES DETAIL", END BENT No.1 SHEET 3 OF 3.



DETAIL "A"

PROJECT NO. R-2707C
 CLEVELAND COUNTY
 STATION: 24+05.50-Y4-REV POT

SHEET 1 OF 3



DocuSigned by:
 Jeff Loftus
 2/3/2017

Firm License No. C-1051
 421 Fayetteville St,
 Suite 400
 Raleigh, NC 27601
 T 919.380.8750
 www.stewartinc.com

REVISIONS					
NO.	BY:	DATE:	NO.	BY:	DATE:
1			3		
2			4		

SUBSTRUCTURE
 END BENT NO. 1

SHEET NO.
 S5-19
 TOTAL SHEETS
 29



STR. #5

R 2707C.5
 2/3/2017
 \\405-037-R2707C-SMU-1EB01-S5-19.dgn
 USER:dfault

DRAWN BY: H.ASSFORA DATE: 03/16
 CHECKED BY: J.LOFTUS DATE: 11/16
 DESIGN ENGINEER OF RECORD: J.LOFTUS DATE: 01/17