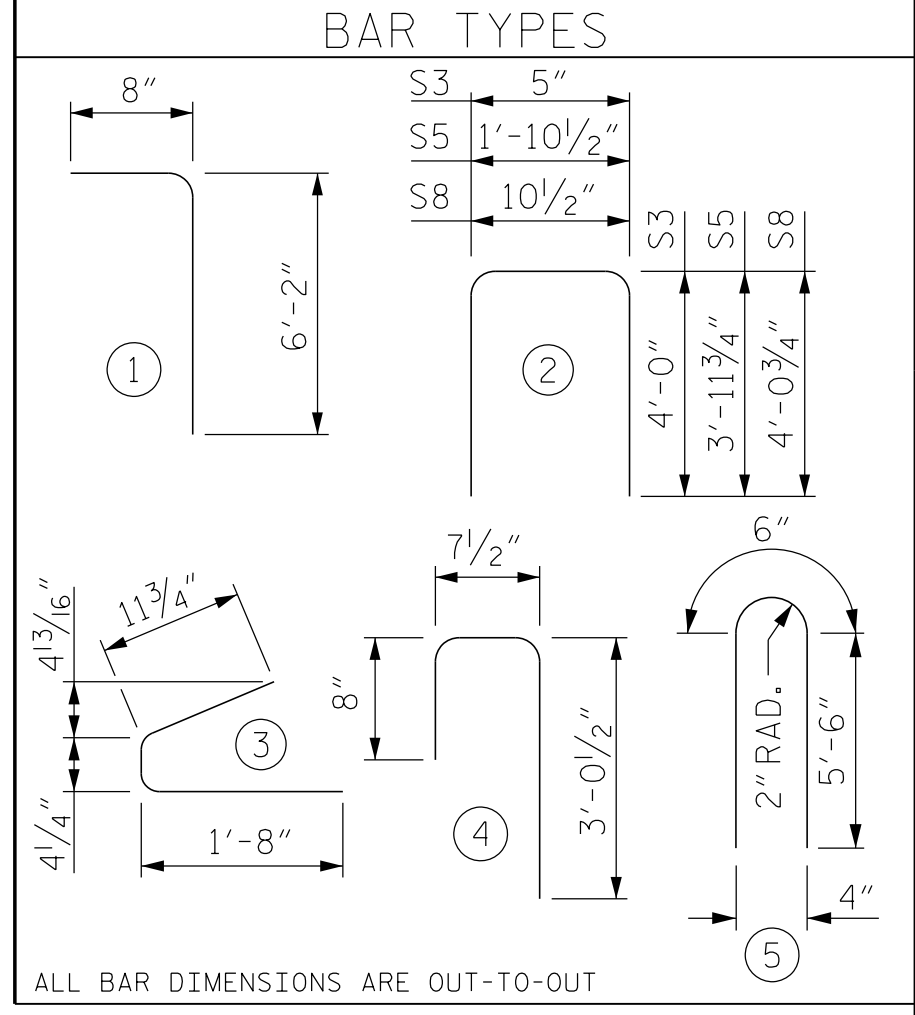


- DEBONDING LEGEND
- FULLY BONDED STRANDS
 - STRANDS DEBONDED FOR 8'-0" FROM END OF GIRDER
 - STRANDS DEBONDED FOR 4'-0" FROM END OF GIRDER

0.6" Ø L. R. GRADE 270 STRANDS		
AREA (SQUARE INCHES)	ULTIMATE STRENGTH (LBS. PER STRAND)	APPLIED PRESTRESS (LBS. PER STRAND)
0.217	58,600	43,950

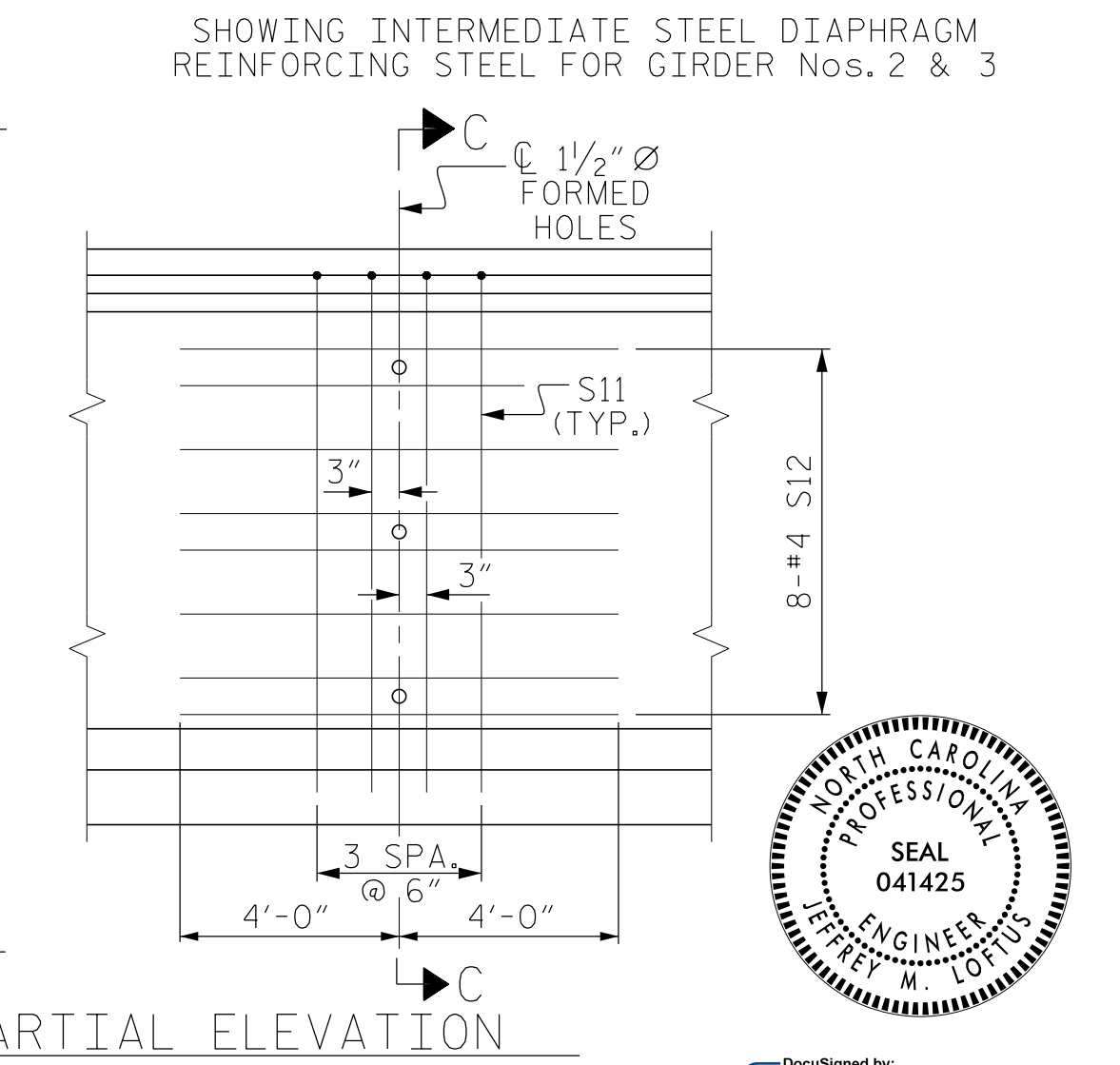
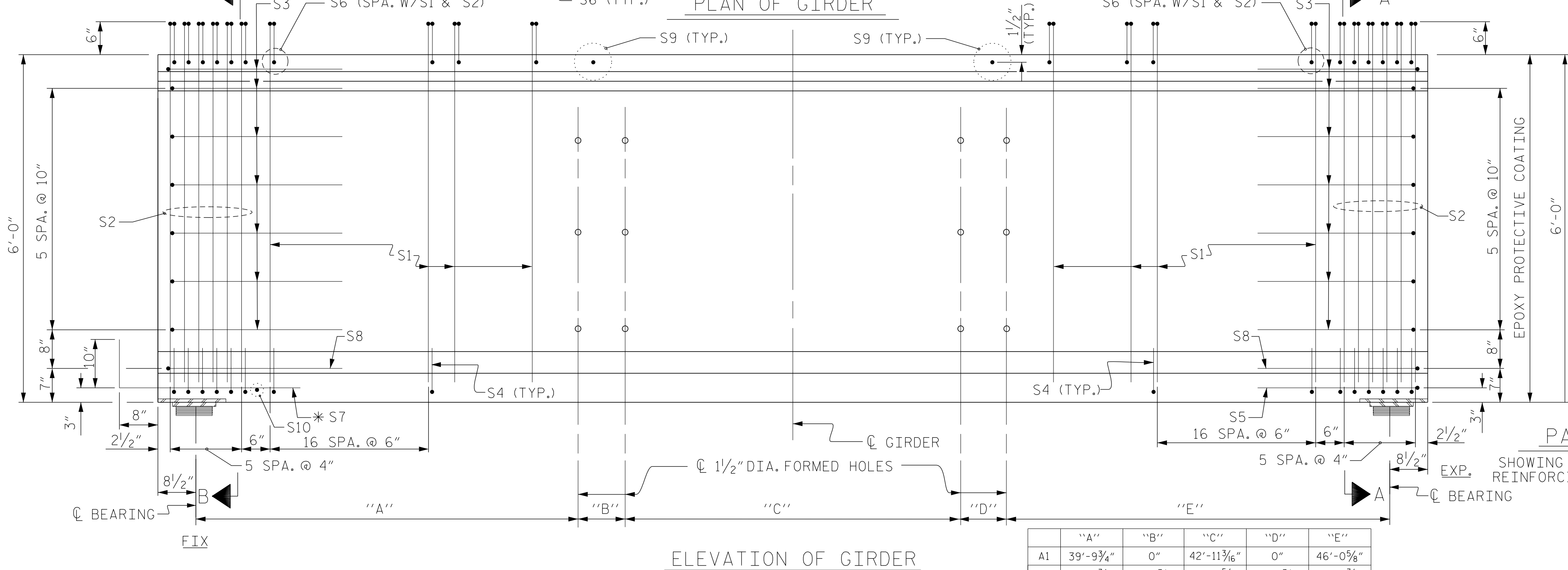
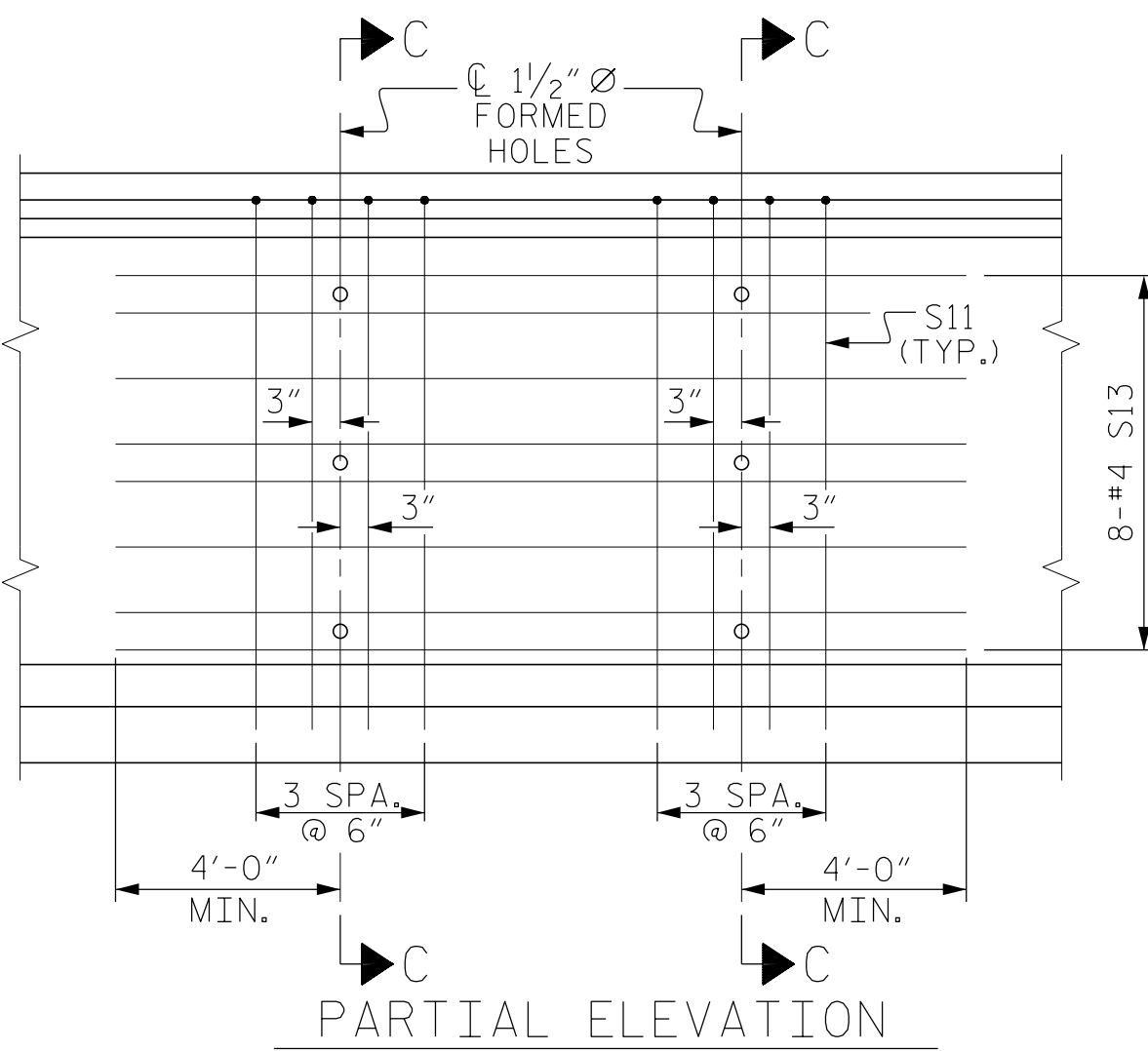
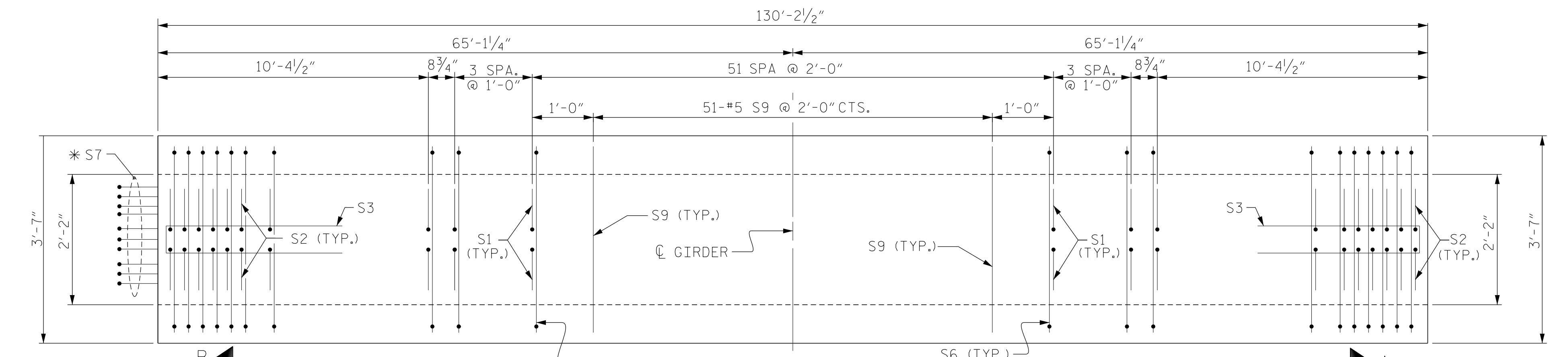
REINFORCING STEEL FOR ONE GDR						
BAR	NUMBER	SIZE	TYPE	LENGTH	WEIGHT	
S1	184	#5	1	6'-10"	1,311	
S2	24	#5	1	6'-10"	171	
S3	14	#4	2	8'-5"	79	
S4	92	#4	3	3'-0"	184	
S5	1	#5	2	9'-10"	10	
S6	208	#5	4	4'-4"	940	
* S7	10	#5	STR	3'-8"	38	
S8	2	#5	2	9'-0"	19	
S9	51	#5	STR	3'-3"	173	
S10	1	#3	STR	1'-10"	1	
EXTERIOR GDR.	S11	8	#5	5	11'-6"	96
INTERIOR GDR.	S11	16	#5	5	11'-6"	192
EXTERIOR GDR.	S12	16	#4	STR	8'-0"	86
INTERIOR GDR.	S13	16	#4	STR	14'-3"	153

* NOTE: S7 BARS SHALL BE BENT BEFORE SHIPMENT. HEAT BENDING SHALL NOT BE ALLOWED.

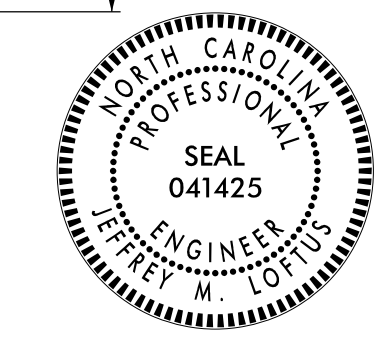


QUANTITIES FOR ONE GIRDER			
	REINFORCING STEEL LB.	9,000 PSI CONCRETE C.Y.	0.6" Ø L.R. STRANDS No.
EXTERIOR GIRDER	3,108	27.9	40
INTERIOR GIRDER	3,271	27.9	40

GIRDERS REQUIRED		
NUMBER	LENGTH	TOTAL LENGTH
4	130'-2 1/2"	520'-10"



	"A"	"B"	"C"	"D"	"E"
A1	39'-9 3/4"	0"	42'-11 3/8"	0"	46'-0 5/8"
A2	39'-9 3/4"	6'-2 1/8"	36'-8 5/8"	6'-2 1/8"	39'-9 3/4"
A3	39'-9 3/4"	6'-2 1/8"	36'-8 5/8"	6'-2 1/8"	39'-9 3/4"
A4	46'-0 5/8"	0"	42'-11 3/8"	0"	39'-9 3/4"



DocuSigned by: Jeff Loftus 2/3/2017

STEWART
Firm License No. C-1051
421 Fayetteville St., Suite 400
Raleigh, NC 27601
T 919.380.8750
www.stewartinc.com

PROJECT NO. R-2707C
CLEVELAND COUNTY
STATION: 24+05.50-Y4-REV POT
SHEET 2 OF 4

STATE OF NORTH CAROLINA
DEPARTMENT OF TRANSPORTATION
RALEIGH
STANDARD
72" PRESTRESSED CONCRETE
MODIFIED BULB TEE
CONTINUOUS FOR LIVE LOAD
SPAN B

REVISIONS						SHEET NO.
NO.	BY:	DATE:	NO.	BY:	DATE:	S5-11
1			3			TOTAL SHEETS
2			4			29

DRAWN BY: HASSFOURA DATE: 11/15
CHECKED BY: J. LOFTUS DATE: 11/16
DESIGN ENGINEER OF RECORD: J. LOFTUS DATE: 01/17

R 2707C.5
2/3/2017
\\405-021-R2707C-SMU-PCG02-S5-11.dgn
USER:JLof

STR. #5 STD. NO. PCG8