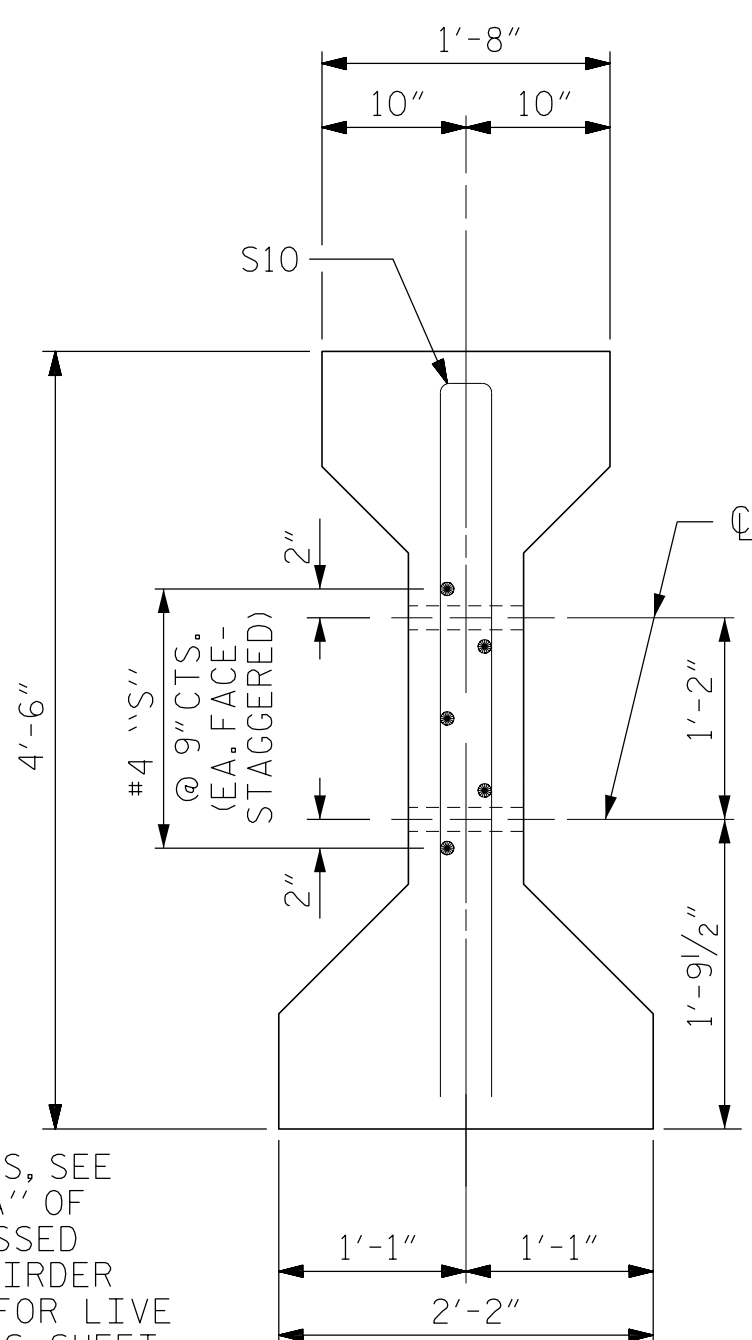
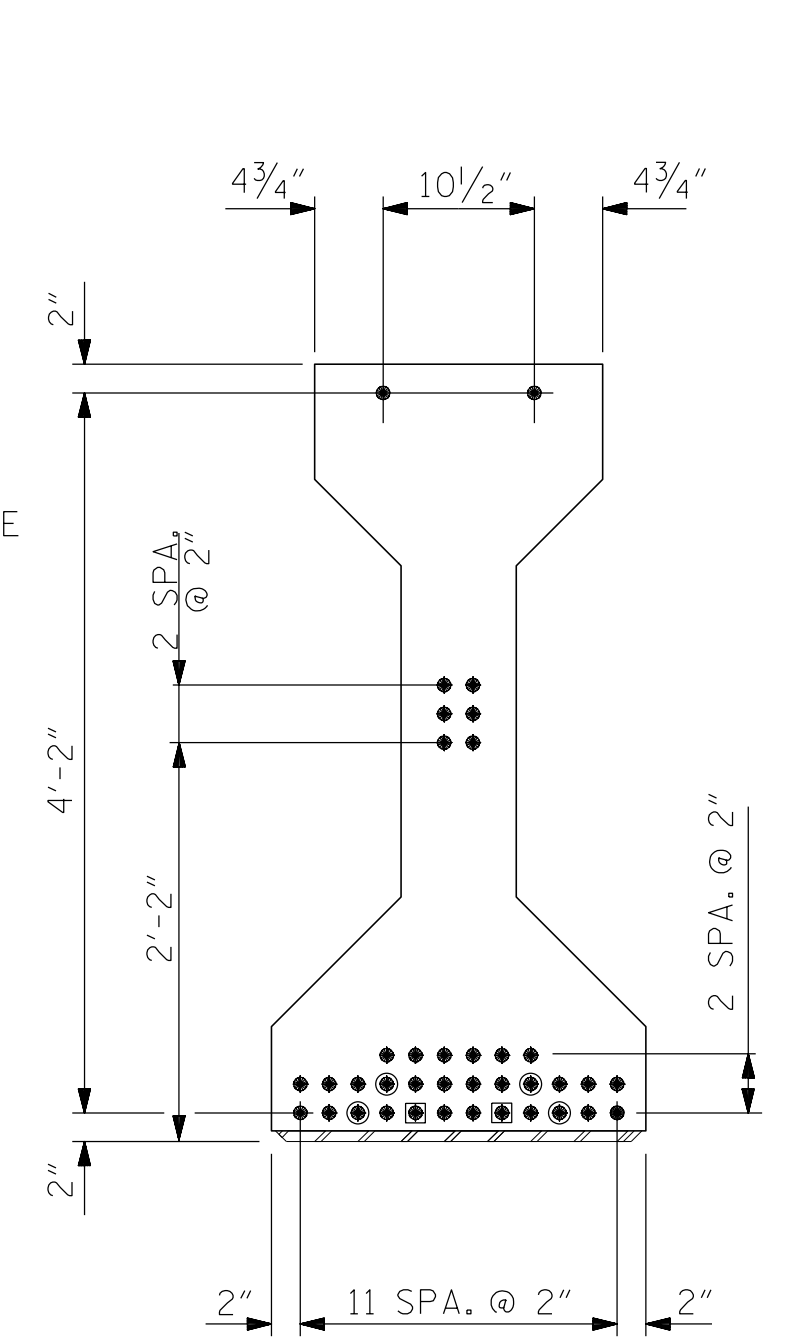


SECTION A-A

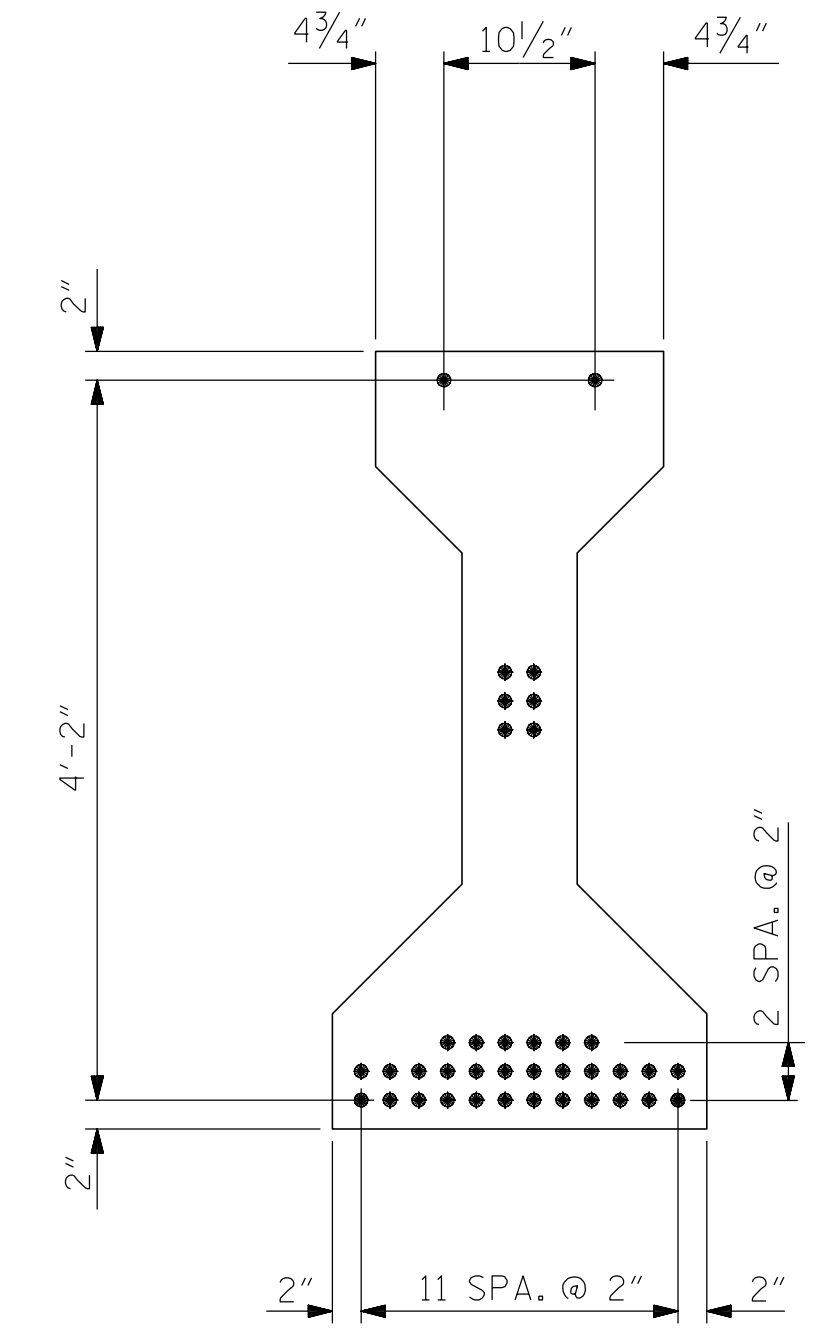
SECTION B-B



SECTION C-C  
(S1 BARS NOT SHOWN)



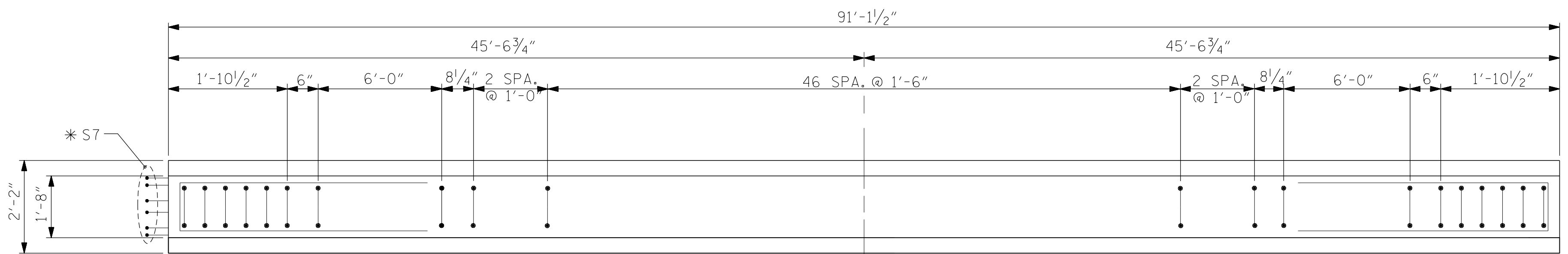
AT END OF GIRDER



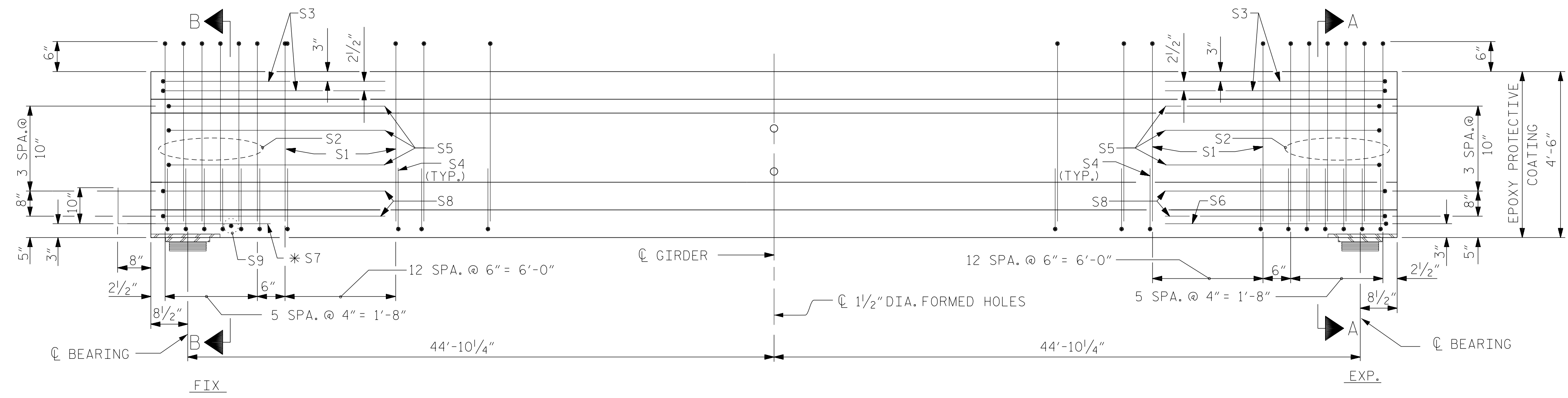
AT C OF GIRDER

0.6" Ø LOW RELAXATION STRAND LAYOUT

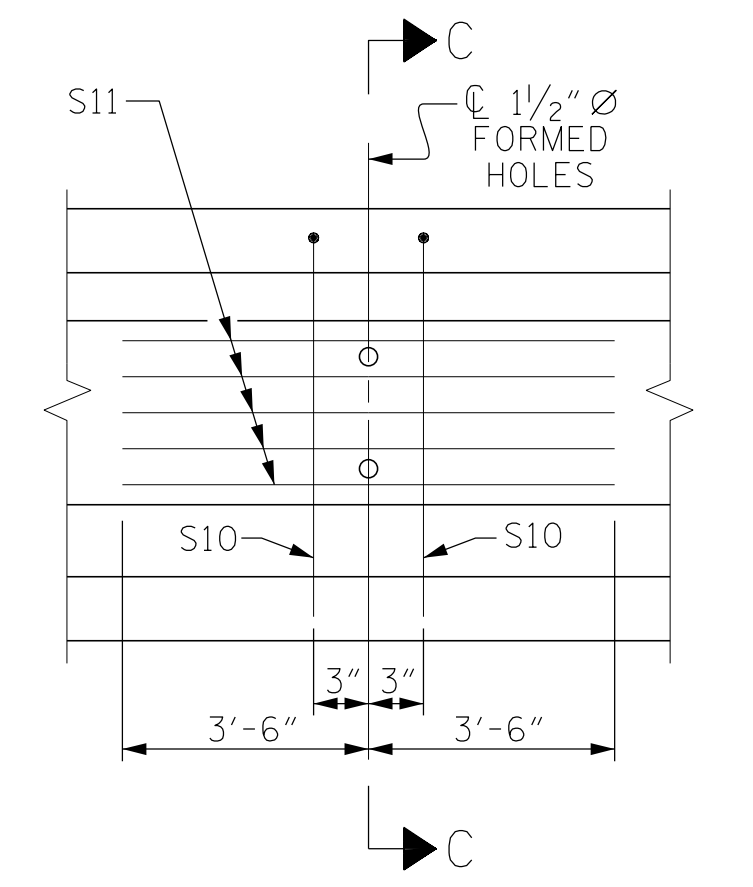
- FULLY BONDED STRANDS
- STRANDS DEBONDED FOR 8'-0" FROM END OF GIRDER
- STRANDS DEBONDED FOR 4'-0" FROM END OF GIRDER



PLAN OF GIRDER



ELEVATION OF GIRDER  
(SEE PARTIAL ELEVATION FOR ADDITIONAL "S" BARS)



PARTIAL ELEVATION

SHOWING INTERMEDIATE DIAPHRAGM REINFORCING STEEL FOR GIRDER Nos. 1 THRU 4

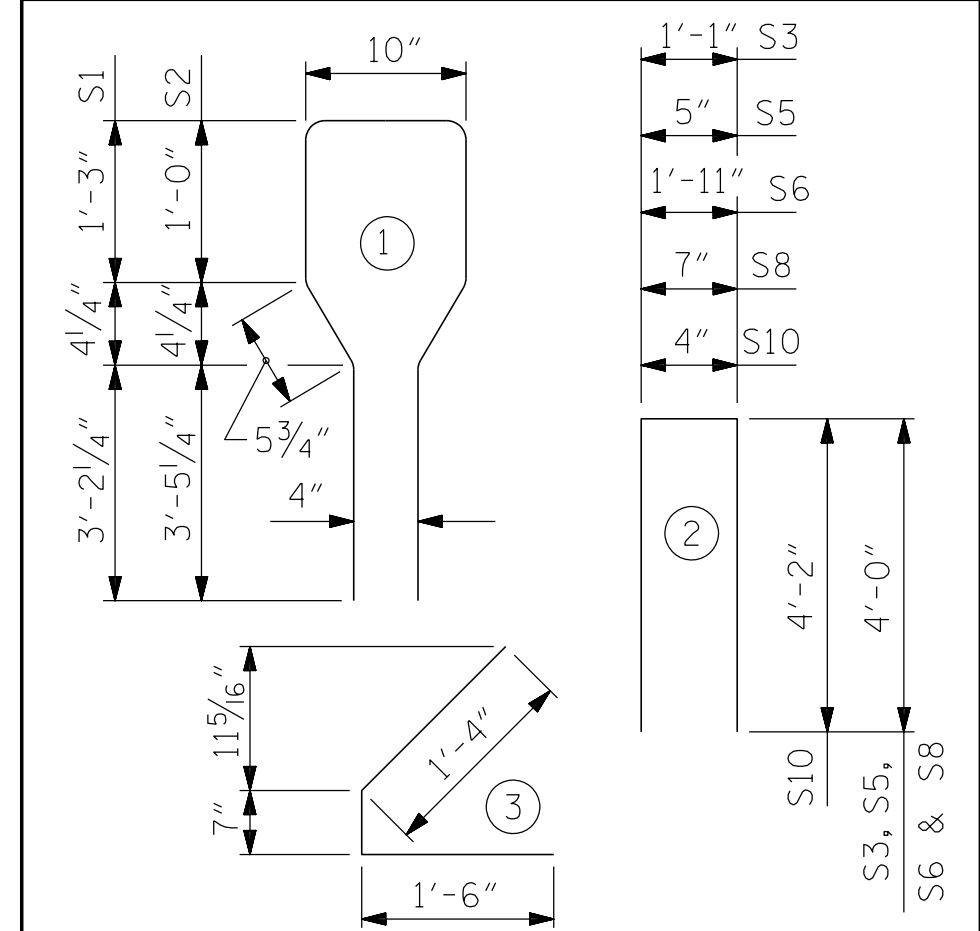
| 0.6" Ø L. R. GRADE 270 STRANDS |  |  |
|--------------------------------|--|--|
| AREA<br>(SQUARE INCHES)        | ULTIMATE STRENGTH<br>(LBS. PER STRAND) | APPLIED PRESTRESS<br>(LBS. PER STRAND) |
| 0.217                          | 58,600                                 | 43,950                                 |

| REINFORCING STEEL FOR ONE GIRDER |        |      |      |        |        |
|----------------------------------|--------|------|------|--------|--------|
| BAR                              | NUMBER | SIZE | TYPE | LENGTH | WEIGHT |
| S1                               | 77     | #5   | 1    | 10'-8" | 857    |
| S2                               | 12     | #6   | 1    | 10'-8" | 192    |
| S3                               | 4      | #4   | 2    | 9'-1"  | 24     |
| S4                               | 88     | #4   | 3    | 3'-5"  | 201    |
| S5                               | 6      | #4   | 2    | 8'-5"  | 34     |
| S6                               | 1      | #4   | 2    | 9'-11" | 7      |
| *S7                              | 6      | #5   | STR  | 3'-8"  | 23     |
| S8                               | 4      | #4   | 2    | 8'-7"  | 23     |
| S9                               | 1      | #3   | STR  | 1'-10" | 1      |
| S10                              | 2      | #5   | 2    | 8'-8"  | 18     |
| S11                              | 5      | #4   | STR  | 7'-0"  | 24     |

\* NOTE: S7 BARS SHALL BE BENT BEFORE SHIPMENT. HEAT BENDING SHALL NOT BE ALLOWED.

BAR TYPES

ALL BAR DIMENSIONS ARE OUT-TO-OUT



QUANTITIES FOR ONE GIRDER

|                 | REINFORCING STEEL<br>LB. | 8,000 PSI CONCRETE<br>C.Y. | 0.6" Ø L. R. STRANDS<br>No. |
|-----------------|--------------------------|----------------------------|-----------------------------|
| EXTERIOR GIRDER | 1404                     | 18.5                       | 38                          |
| INTERIOR GIRDER | 1404                     | 18.5                       | 38                          |

GIRDERS REQUIRED

| NUMBER | LENGTH     | TOTAL LENGTH |
|--------|------------|--------------|
| 4      | 91'-1 1/2" | 364'-6"      |

PROJECT NO. R-2707C  
CLEVELAND COUNTY  
STATION: 20+70.23-Y3- POT

SHEET 2 OF 3

STATE OF NORTH CAROLINA  
DEPARTMENT OF TRANSPORTATION  
RALEIGH  
STANDARD  
AASHTO TYPE IV  
PRESTRESSED CONCRETE GIRDER  
CONTINUOUS FOR LIVE LOAD  
SPAN B



DocuSigned by:  
Jeff Capus  
2/6/2017

Firm License No. C-1051  
421 Fayetteville St.,  
Suite 400  
Raleigh, NC 27601  
T 919.380.8750  
www.stewartinc.com



| REVISIONS |     |       |     |     |       | SHEET NO.    |
|-----------|-----|-------|-----|-----|-------|--------------|
| NO.       | BY: | DATE: | NO. | BY: | DATE: | S4-11        |
| 1         |     |       | 3   |     |       | TOTAL SHEETS |
| 2         |     |       | 4   |     |       | 29           |

STR. #4  
STD. NO. PCG6

DRAWN BY: H.ASSFOURA DATE: 07/16  
CHECKED BY: J.LOFIUS DATE: 11/16  
DESIGN ENGINEER OF RECORD: J.LOFIUS DATE: 01/17

R 2707C-SITE 3  
2/6/2017  
\\404-021-R2707C-SMU-PCG2-S4-11.dgn  
USER:deFault