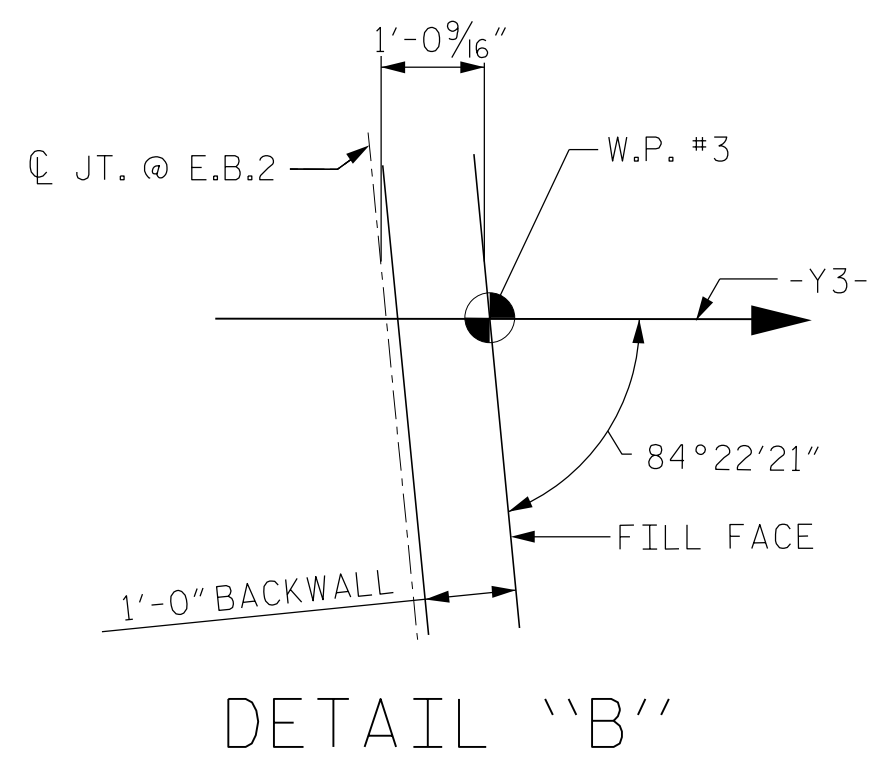
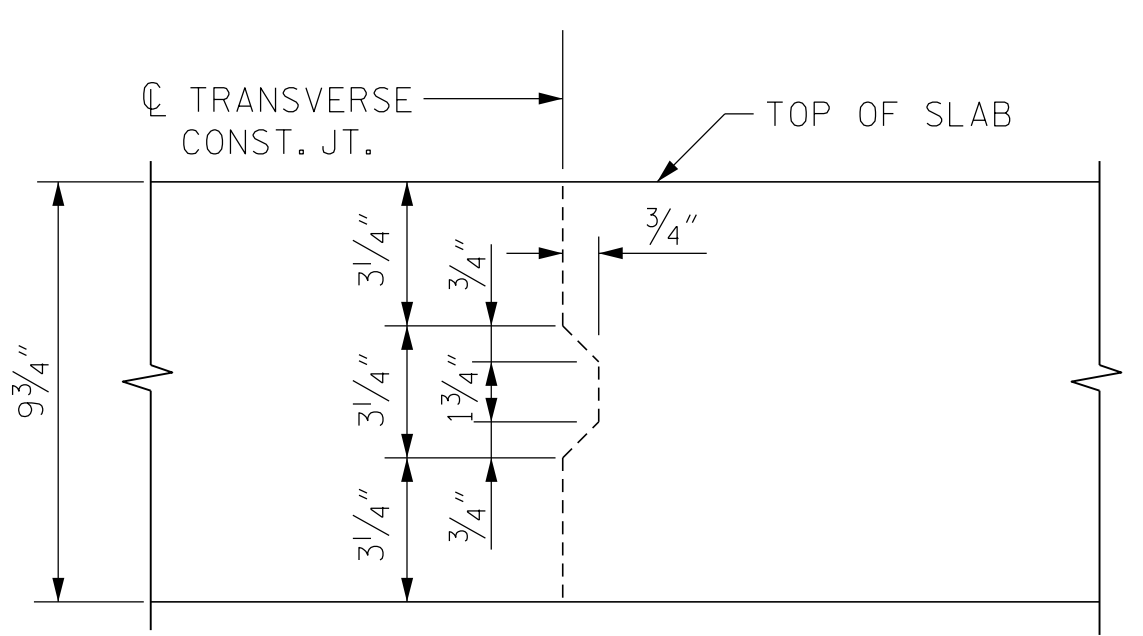


PARTIAL PLAN OF SPAN B



DETAIL "B"



TRANSVERSE CONSTRUCTION JOINT DETAIL

NOTE: REINFORCING STEEL IN SLAB NOT SHOWN. LONGITUDINAL STEEL SHALL BE CONTINUOUS THROUGH JOINT.

PROJECT NO. R-2707C  
 CLEVELAND COUNTY  
 STATION: 20+70.23-Y3- POT

SHEET 2 OF 2



DocuSigned by:  
 Jeff Capus  
 2/6/2017

Firm License No. C-1051  
 421 Fayetteville St,  
 Suite 400  
 Raleigh, NC 27601  
 T 919.380.8750  
 www.stewartinc.com

STATE OF NORTH CAROLINA DEPARTMENT OF TRANSPORTATION RALEIGH					
SUPERSTRUCTURE PLAN OF SPAN B					
REVISIONS					
NO.	BY:	DATE:	NO.	BY:	DATE:
1			3		
2			4		
SHEET NO. S4-8					TOTAL SHEETS 29

STR. #4

DRAWN BY: H.ASSFOURA	DATE: 07/16
CHECKED BY: J.LOFTUS	DATE: 11/16
DESIGN ENGINEER OF RECORD: J.LOFTUS	DATE: 01/17

R 2707C-SITE 3  
 2/6/2017  
 \\404-015-R2707C-SMU-SP2-S4-8.dgn  
 USER:deFault