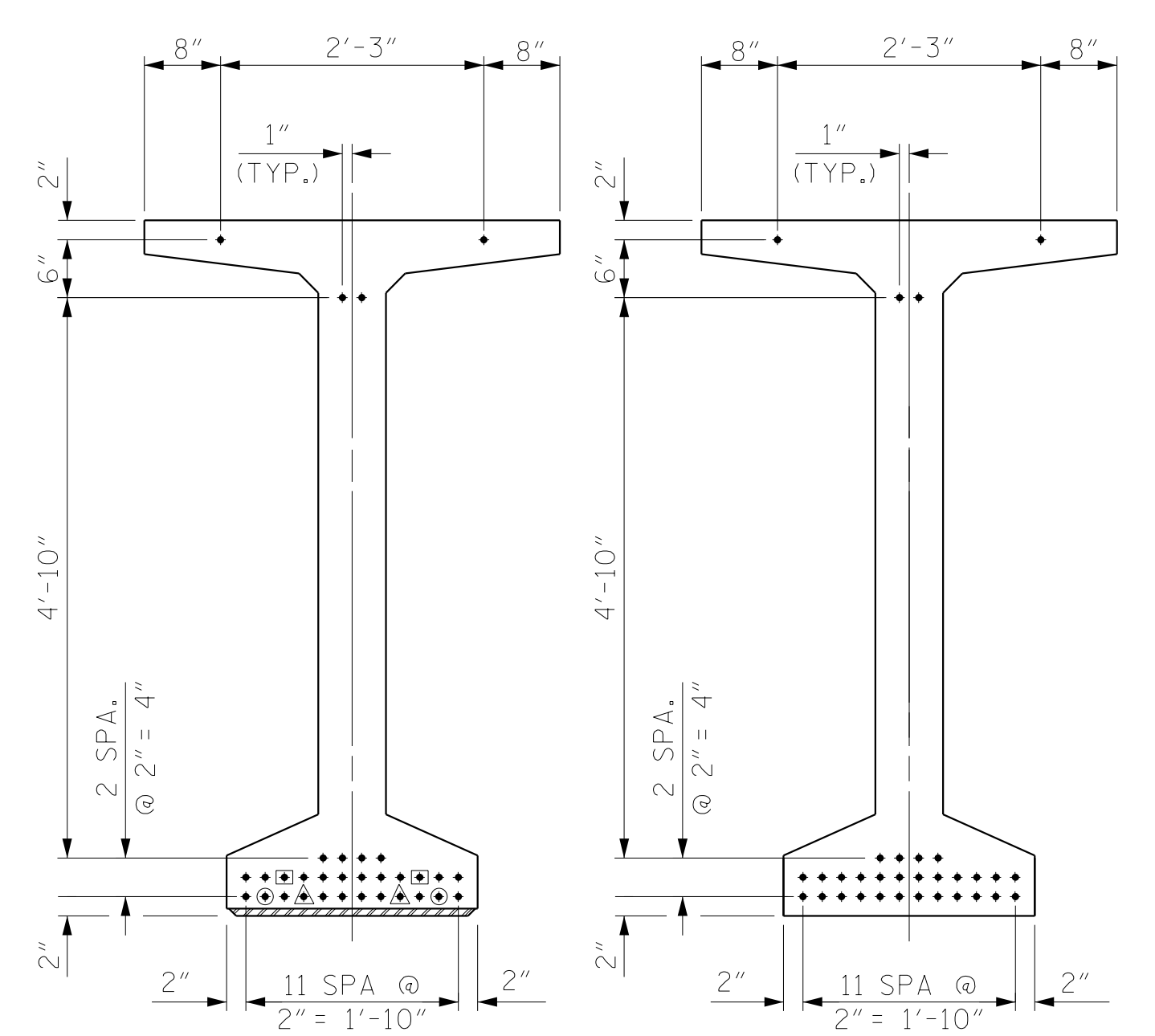


★ SEE "ELEVATION OF GIRDER" FOR DOWEL PROJECTION

- DEBONDING LEGEND**
- FULLY BONDED STRANDS
 - STRANDS DEBONDED FOR 5'-0" FROM END OF GIRDER
 - ▲ STRANDS DEBONDED FOR 10'-0" FROM END OF GIRDER
 - ⊙ STRANDS DEBONDED FOR 20'-0" FROM END OF GIRDER



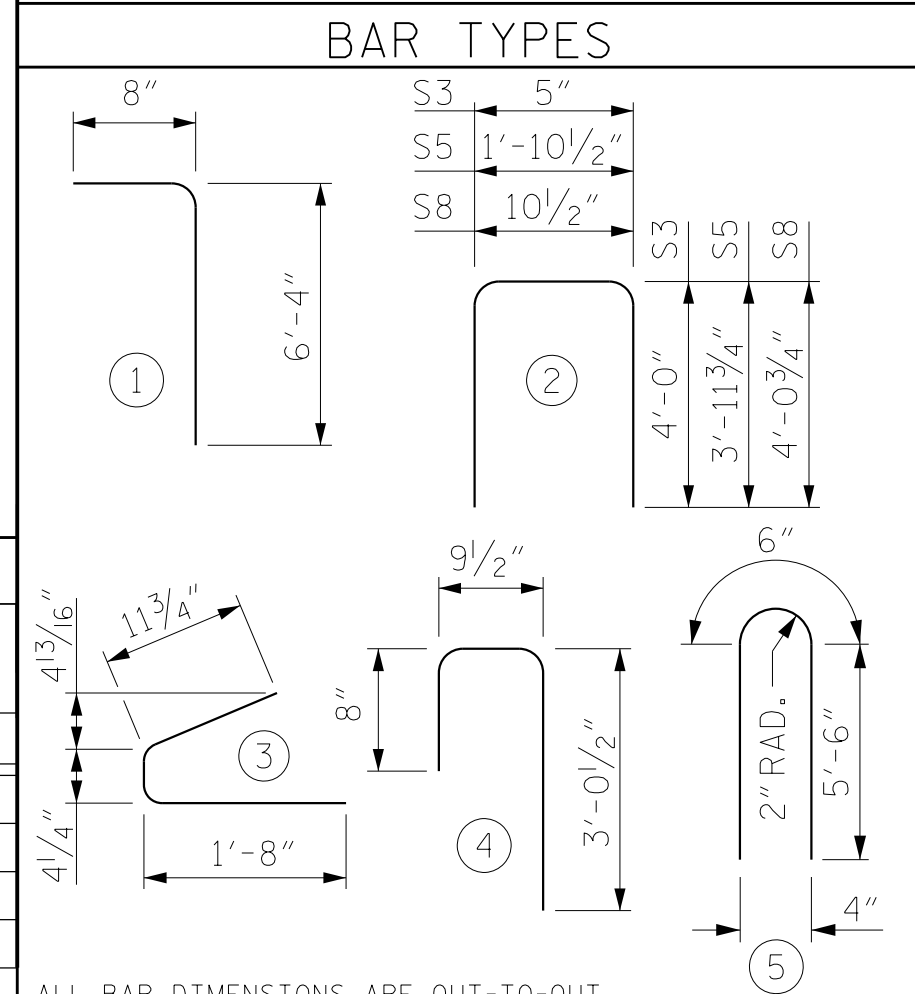
AT END OF GIRDER AT CL OF GIRDER

0.6" Ø LOW RELAXATION STRAND LAYOUT (32 STRANDS REQUIRED)

REINFORCING STEEL FOR ONE GDR

BAR	NUMBER	SIZE	TYPE	LENGTH	WEIGHT	
GDR. B1	S1	180	#4	1	7'-0"	842
GDR. B2, B3, B4, B5	S1	178	#4	1	7'-0"	832
	S2	24	#5	1	7'-0"	175
	S3	14	#4	2	8'-5"	79
	S4	92	#4	3	3'-0"	184
	S5	1	#5	2	9'-10"	10
	S6	92	#5	4	4'-6"	432
	* S7	10	#5	STR	3'-8"	38
	S8	2	#5	2	9'-0"	19
GDR. B1	S9	111	#5	STR	3'-3"	376
GDR. B2, B3, B4, B5	S9	109	#5	STR	3'-3"	369
	S10	1	#3	STR	1'-10"	1
GDR. B1 & B5	S11	8	#5	5	11'-6"	96
GDR. B2, B3, B4	S11	16	#5	5	11'-6"	192
GDR. B1 & B5	S12	16	#4	STR	8'-0"	86
GDR. B2, B3, B4	S13	16	#4	STR	13'-3"	142

* NOTE: S7 BARS SHALL BE BENT BEFORE SHIPMENT. HEAT BENDING SHALL NOT BE ALLOWED.



QUANTITIES FOR ONE GIRDER

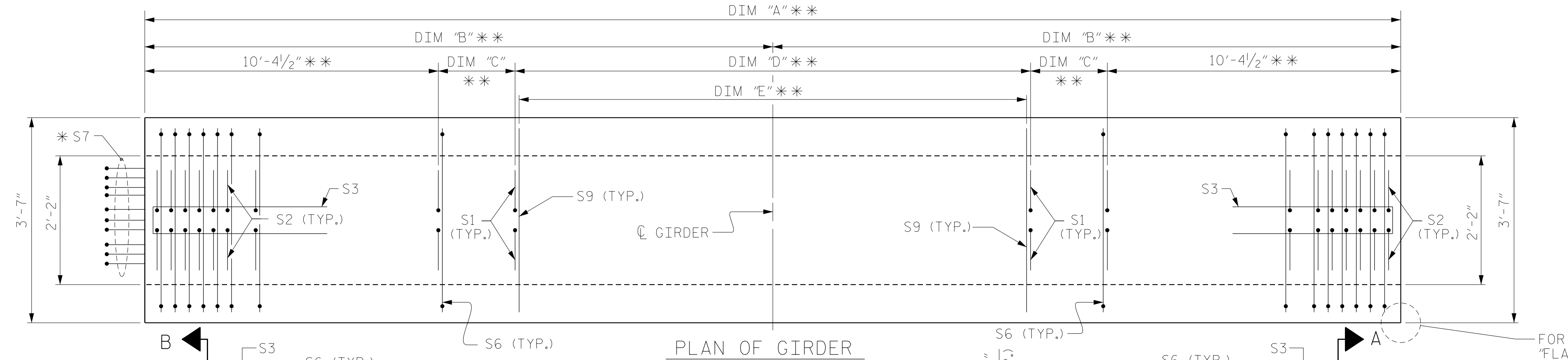
	REINFORCING STEEL	8000 PSI CONCRETE	0.6" Ø L.R. STRANDS
	LB.	C.Y.	No.
GIRDER B1	2338	22.5	32
GIRDER B2	2473	22.4	32
GIRDER B3	2473	22.3	32
GIRDER B4	2473	22.3	32
GIRDER B5	2321	22.2	32

GIRDERS REQUIRED

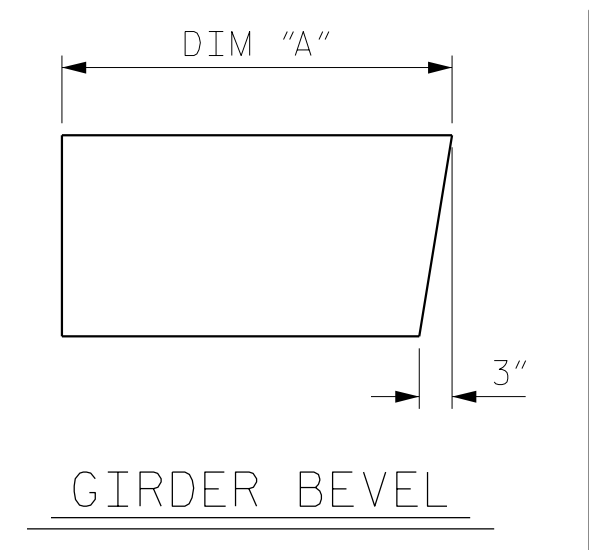
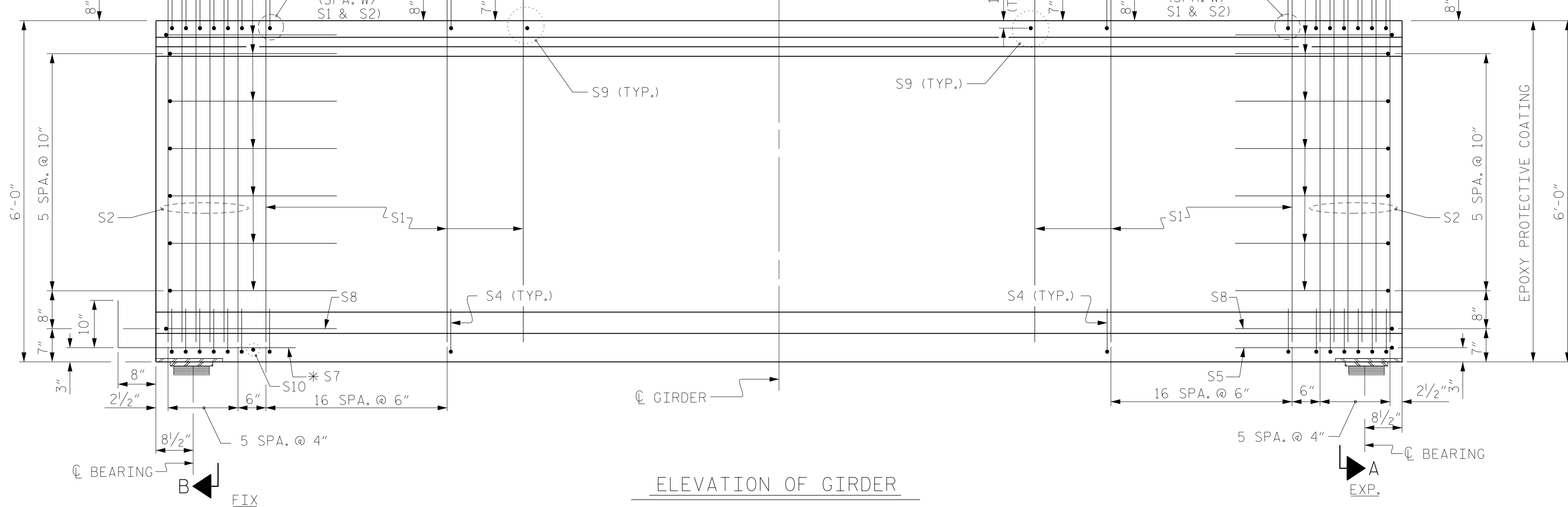
NUMBER	LENGTH	TOTAL LENGTH
5	SEE TABLE	521'-5 3/4"

GIRDER DIMENSION TABLE

GDR. #	DIM "A"	DIM "B"	DIM "C"	DIM "D"	DIM "E"
B1	104'-11 7/16"	52'-5 3/4"	10 1/4"	56-#4 S1 @ 1'-6"CTS.	111-#5 S9 @ 9"CTS.
B2	104'-7 5/16"	52'-3 5/8"	1'-5 3/16"	55-#4 S1 @ 1'-6"CTS.	109-#5 S9 @ 9"CTS.
B3	104'-3 5/16"	52'-1 1/16"	1'-3 3/16"	55-#4 S1 @ 1'-6"CTS.	109-#5 S9 @ 9"CTS.
B4	103'-11 1/2"	51'-11 3/4"	1'-1 1/4"	55-#4 S1 @ 1'-6"CTS.	109-#5 S9 @ 9"CTS.
B5	103'-7 3/16"	51'-9 7/8"	11 7/16"	55-#4 S1 @ 1'-6"CTS.	109-#5 S9 @ 9"CTS.



FOR DETAILS OF FLANGE CLIP, SEE "FLANGE CLIP DETAIL" SHEET 4 OF 4.



PROJECT NO. R-2707C
 CLEVELAND COUNTY
 STATION: 29+07.16 -Y2-

SHEET 2 OF 4

STATE OF NORTH CAROLINA
 DEPARTMENT OF TRANSPORTATION
 RALEIGH
 SUPERSTRUCTURE
 72" PRESTRESSED CONCRETE
 MODIFIED BULB TEE
 CONTINUOUS FOR LIVE LOAD
 SPAN B

REVISIONS					
NO.	BY:	DATE:	NO.	BY:	DATE:
1			3		
2			4		

SHEET NO.	
S3-14	TOTAL SHEETS
	36

DRAWN BY: MKO DATE: 12/2016
 CHECKED BY: JMR DATE: 12/2016
 DESIGN ENGINEER OF RECORD: MKO DATE: 12/2016