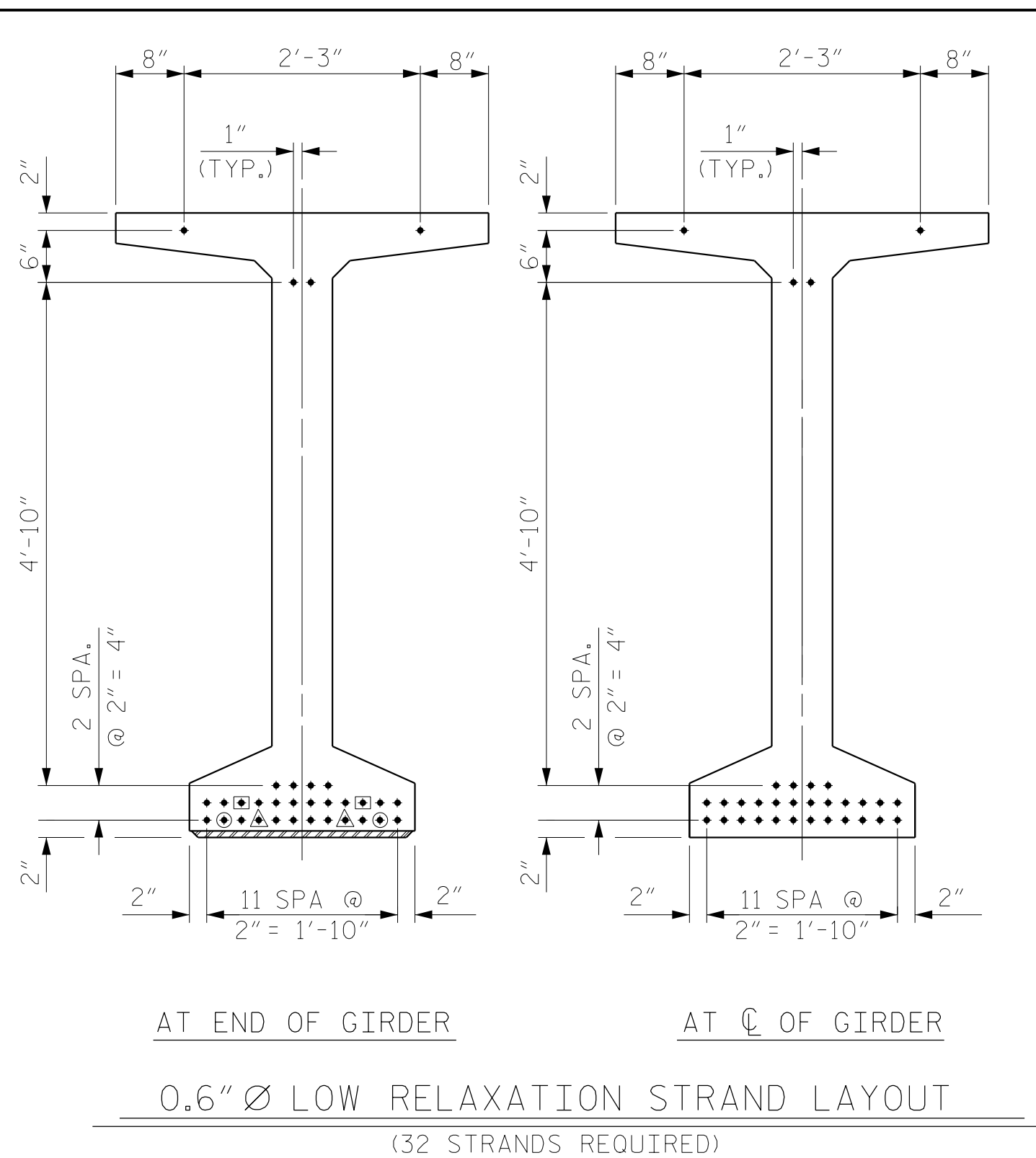


- DEBONDING LEGEND**
- FULLY BONDED STRANDS
 - STRANDS DEBONDED FOR 5'-0" FROM END OF GIRDER
 - ▲ STRANDS DEBONDED FOR 10'-0" FROM END OF GIRDER
 - STRANDS DEBONDED FOR 20'-0" FROM END OF GIRDER



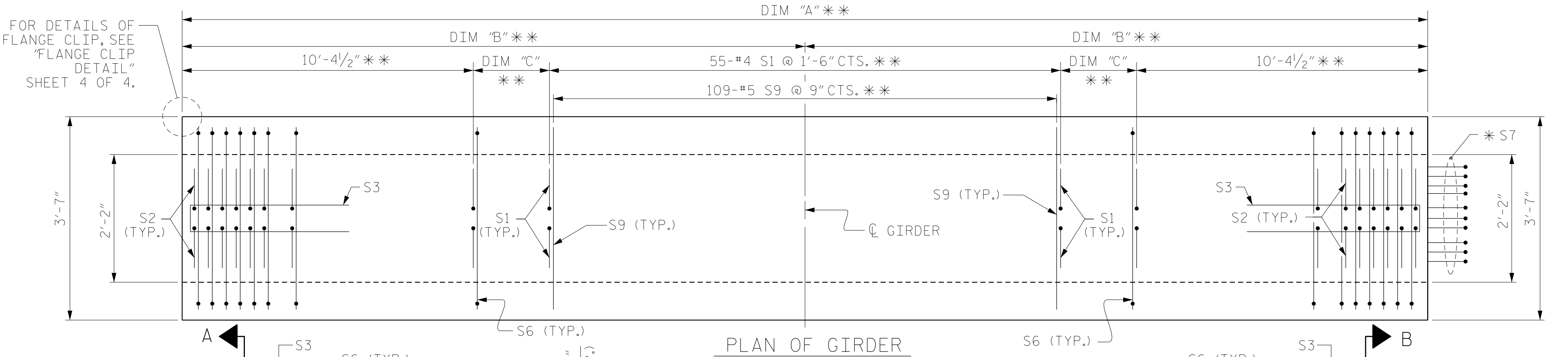
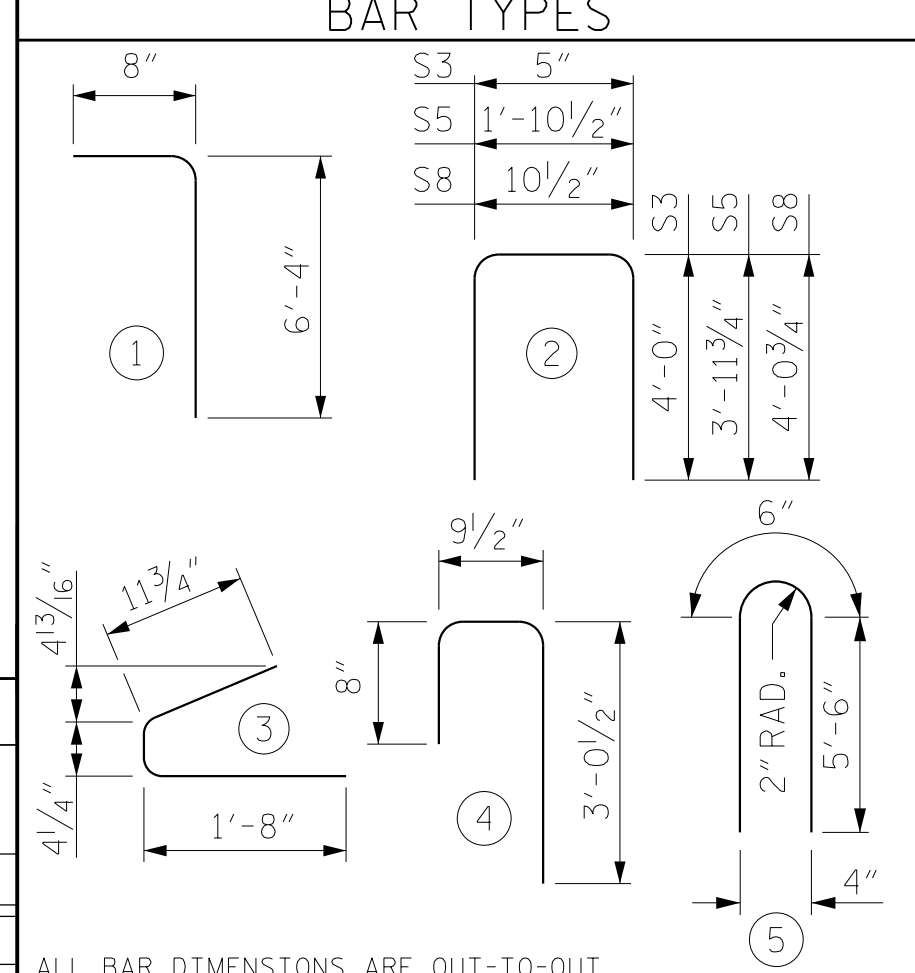
0.6" Ø L. R. GRADE 270 STRANDS

AREA (SQUARE INCHES)	ULTIMATE STRENGTH (LBS. PER STRAND)	APPLIED PRESTRESS (LBS. PER STRAND)
0.217	58,600	43,950

REINFORCING STEEL FOR ONE GDR

BAR	NUMBER	SIZE	TYPE	LENGTH	WEIGHT	
S1	178	#4	1	7'-0"	832	
S2	24	#5	1	7'-0"	175	
S3	14	#4	2	8'-5"	79	
S4	92	#4	3	3'-0"	184	
S5	1	#5	2	9'-10"	10	
S6	92	#5	4	4'-6"	432	
* S7	10	#5	STR	3'-8"	38	
S8	2	#5	2	9'-0"	19	
S9	109	#5	STR	3'-3"	369	
S10	1	#3	STR	1'-10"	1	
S11	8	#5	5	11'-6"	96	
GDR A2, A3, A4	S11	16	#5	5	11'-6"	192
GDR A1 & A5	S12	16	#4	STR	8'-0"	86
GDR A2, A3, A4	S13	16	#4	STR	12'-0"	128

* NOTE: S7 BARS SHALL BE BENT BEFORE SHIPMENT. HEAT BENDING SHALL NOT BE ALLOWED.

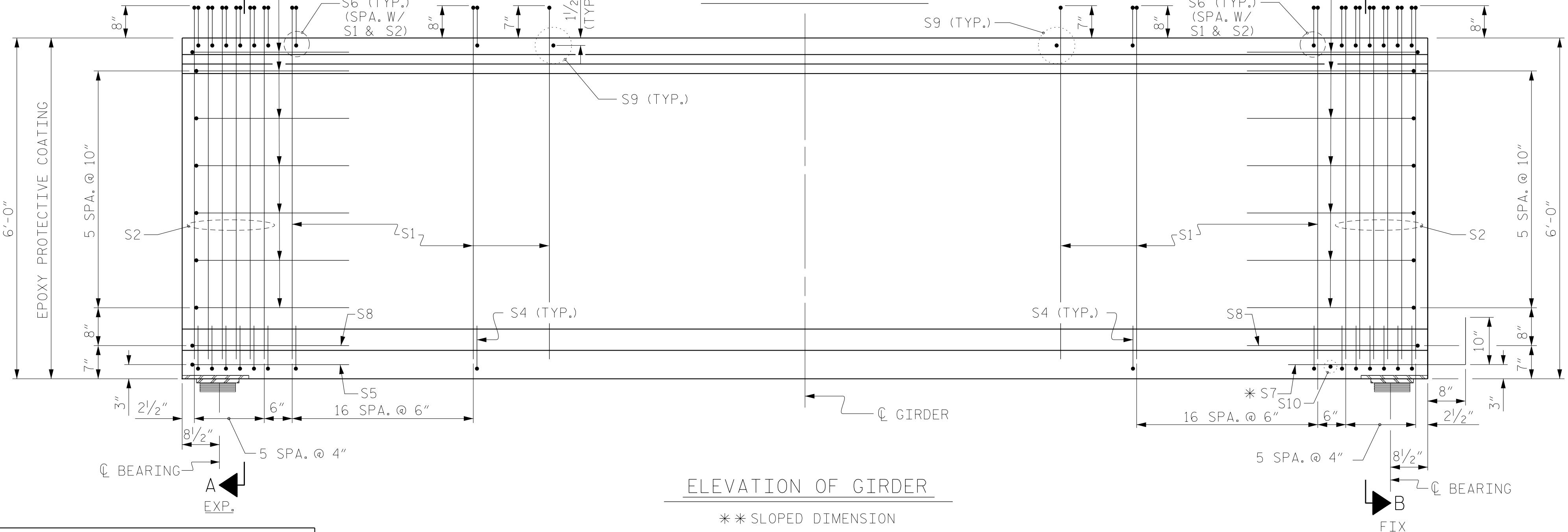


QUANTITIES FOR ONE GIRDER

	REINFORCING STEEL	8000 PSI CONCRETE	0.6" Ø L.R. STRANDS
	LB.	C.Y.	No.
GIRDER A1	2321	22.4	32
GIRDER A2	2459	22.4	32
GIRDER A3	2459	22.4	32
GIRDER A4	2459	22.3	32
GIRDER A5	2321	22.3	32

GIRDERS REQUIRED

NUMBER	LENGTH	TOTAL LENGTH
5	SEE TABLE	521'-11 3/16"



GIRDERS DIMENSION TABLE

GDR. #	DIM "A"	DIM "B"	DIM "C"
A1	104'-9 1/4"	52'-4 5/8"	1'-6 1/8"
A2	104'-6 7/8"	52'-3 7/8"	1'-4 5/16"
A3	104'-4 3/16"	52'-2 5/16"	1'-3 3/16"
A4	104'-2 3/16"	52'-1 3/16"	1'-2 1/16"
A5	104'-0 3/16"	52'-0 7/8"	1'-1 5/8"

PROJECT NO. R-2707C
 CLEVELAND COUNTY
 STATION: 29+07.16 -Y2-

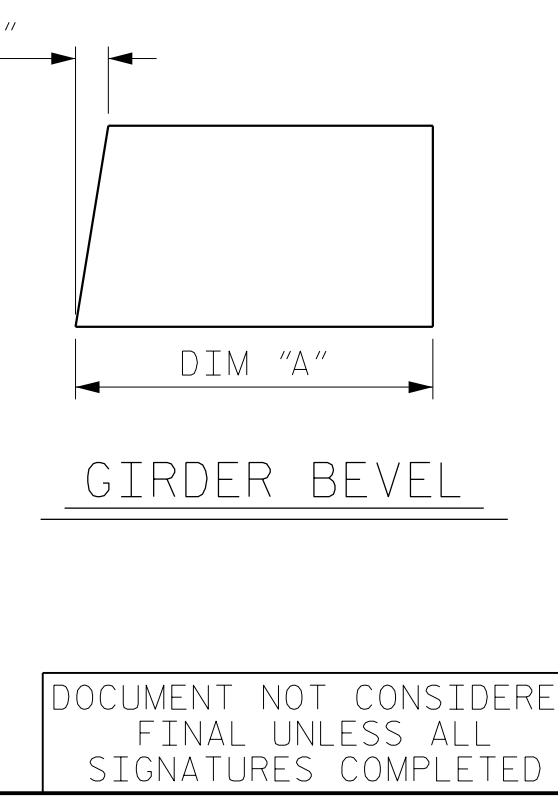
SHEET 1 OF 4

STATE OF NORTH CAROLINA
 DEPARTMENT OF TRANSPORTATION
 RALEIGH

SUPERSTRUCTURE

72" PRESTRESSED CONCRETE
 MODIFIED BULB TEE
 CONTINUOUS FOR LIVE LOAD
 SPAN A

RS&H
 Architects-Engineers-Planners, Inc.
 8601 Six Forks Road, Suite 260
 Raleigh, NC 27615
 919-926-4100 FAX 919-846-9080
 www.rsandh.com
 North Carolina License No. 50737-5403-C&E



DRAWN BY : MKO DATE : 11/2016
 CHECKED BY : JMR DATE : 12/2016
 DESIGN ENGINEER : MKO DATE : 12/2016

DOCUMENT NOT CONSIDERED
 FINAL UNLESS ALL
 SIGNATURES COMPLETED

REVISIONS

NO.	BY:	DATE:	NO.	BY:	DATE:
1			3		
2			4		

SHEET NO. S3-13
 TOTAL SHEETS 36