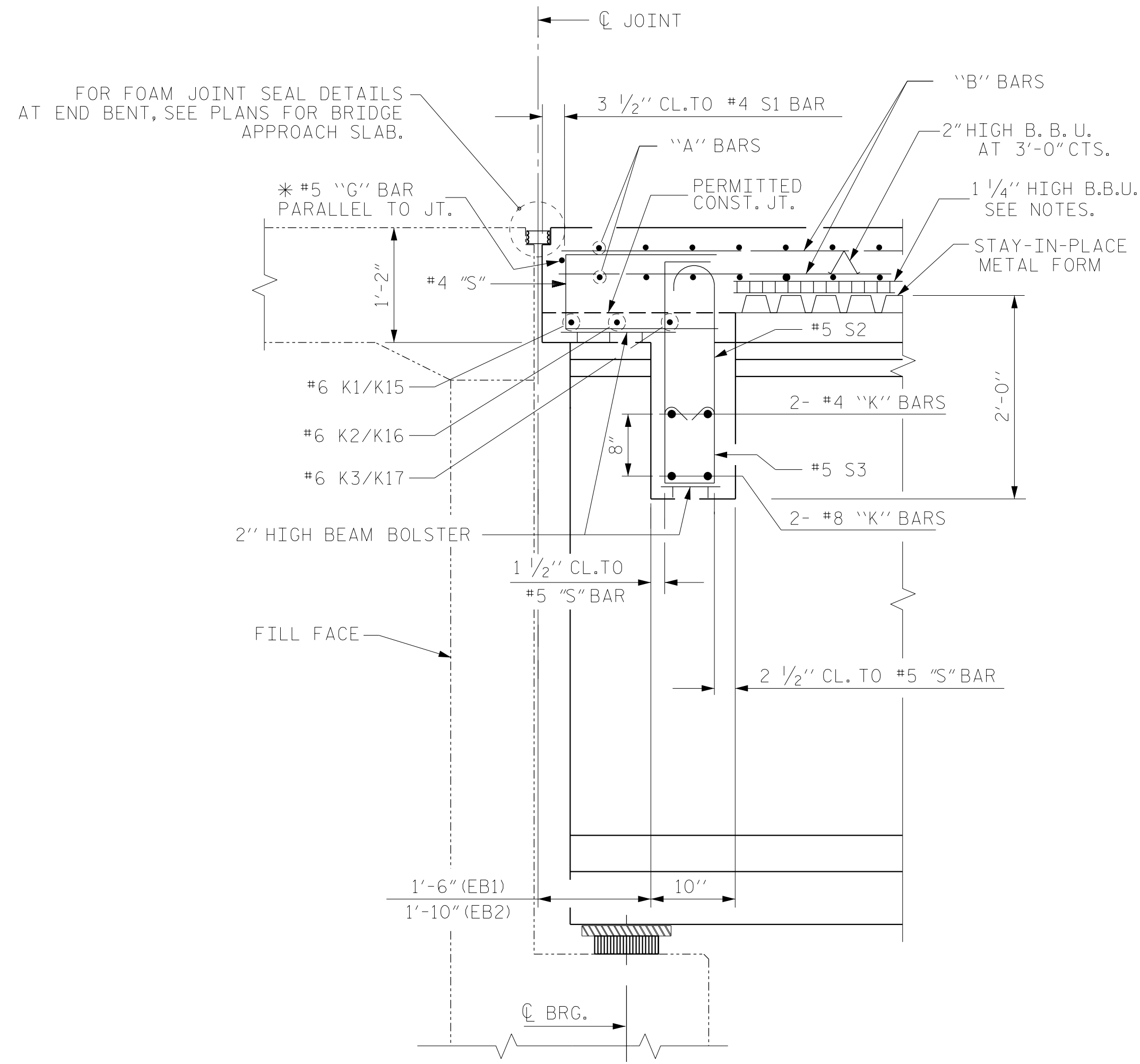
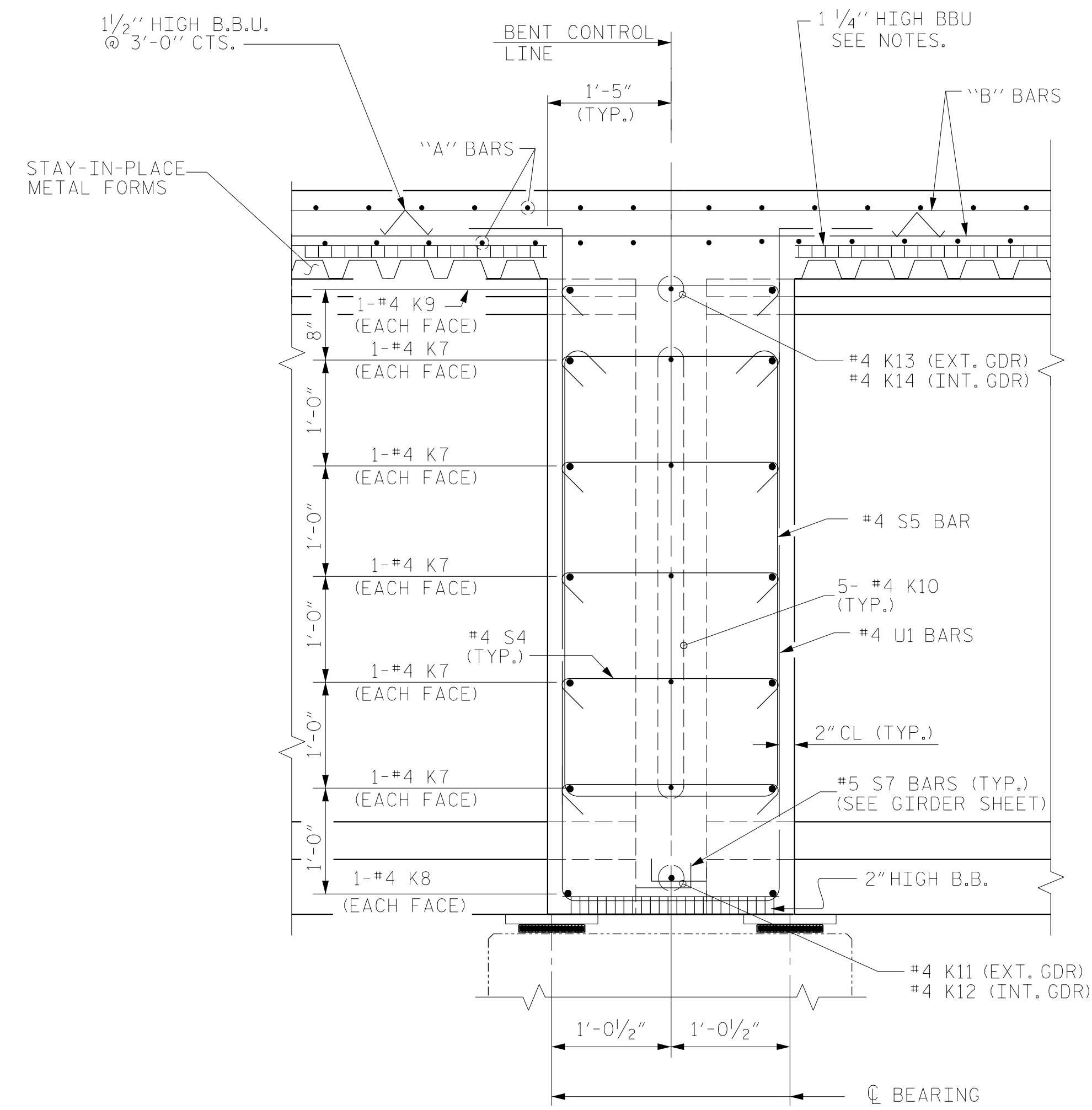


NOTES:  
FOR NOTES, SEE SHEET 1 OF 2.



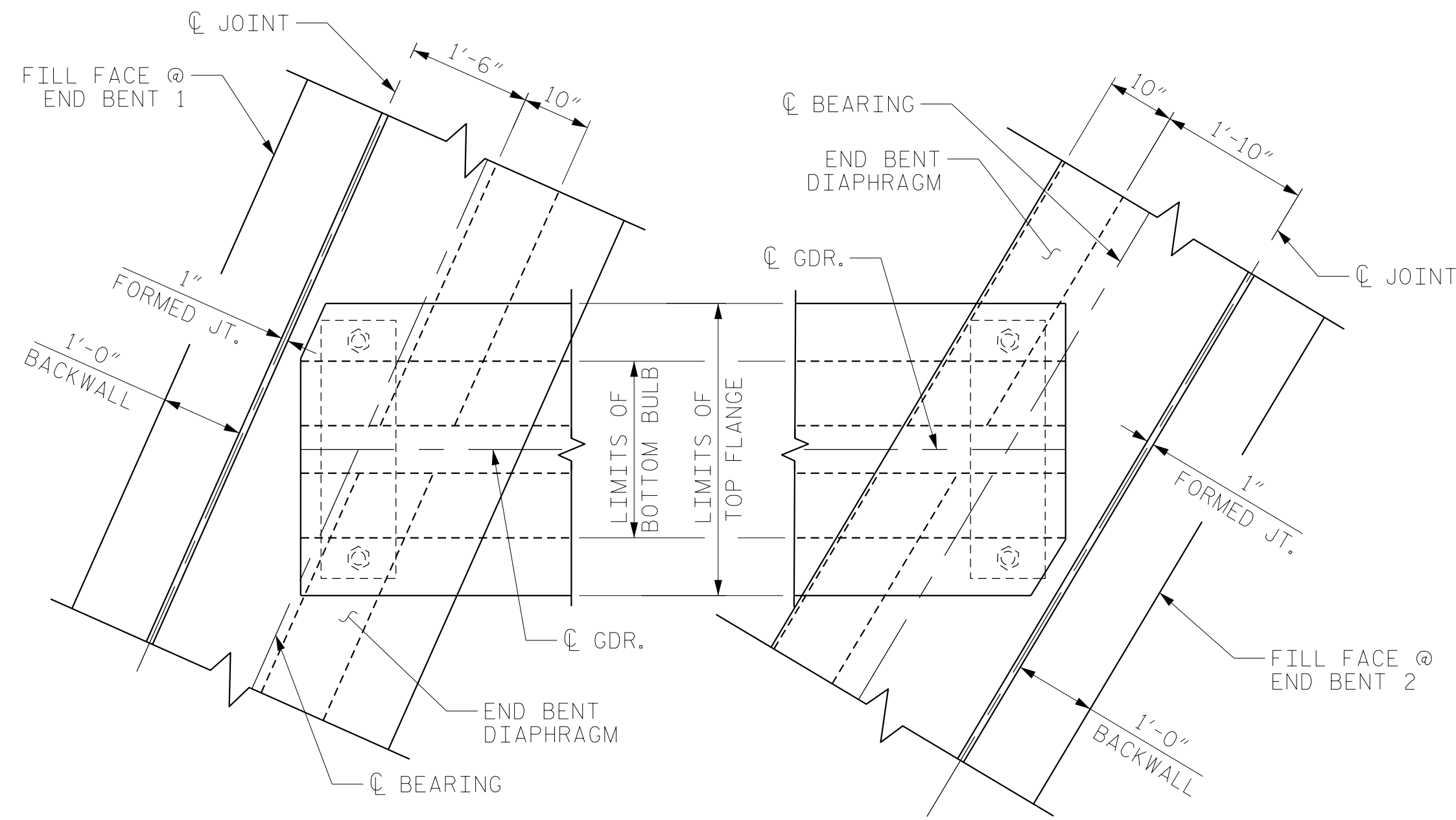
### SECTION AT END BENT DIAPHRAGM

\* 'G' BAR MAY BE SHIFTED SLIGHTLY AS NECESSARY TO CLEAR REINFORCING STEEL & STIRRUPS



### SECTION AT BENT DIAPHRAGM

FOR PLACEMENT OF K11 THRU K14 BARS, SEE 'PLAN OF SPAN' SHEETS

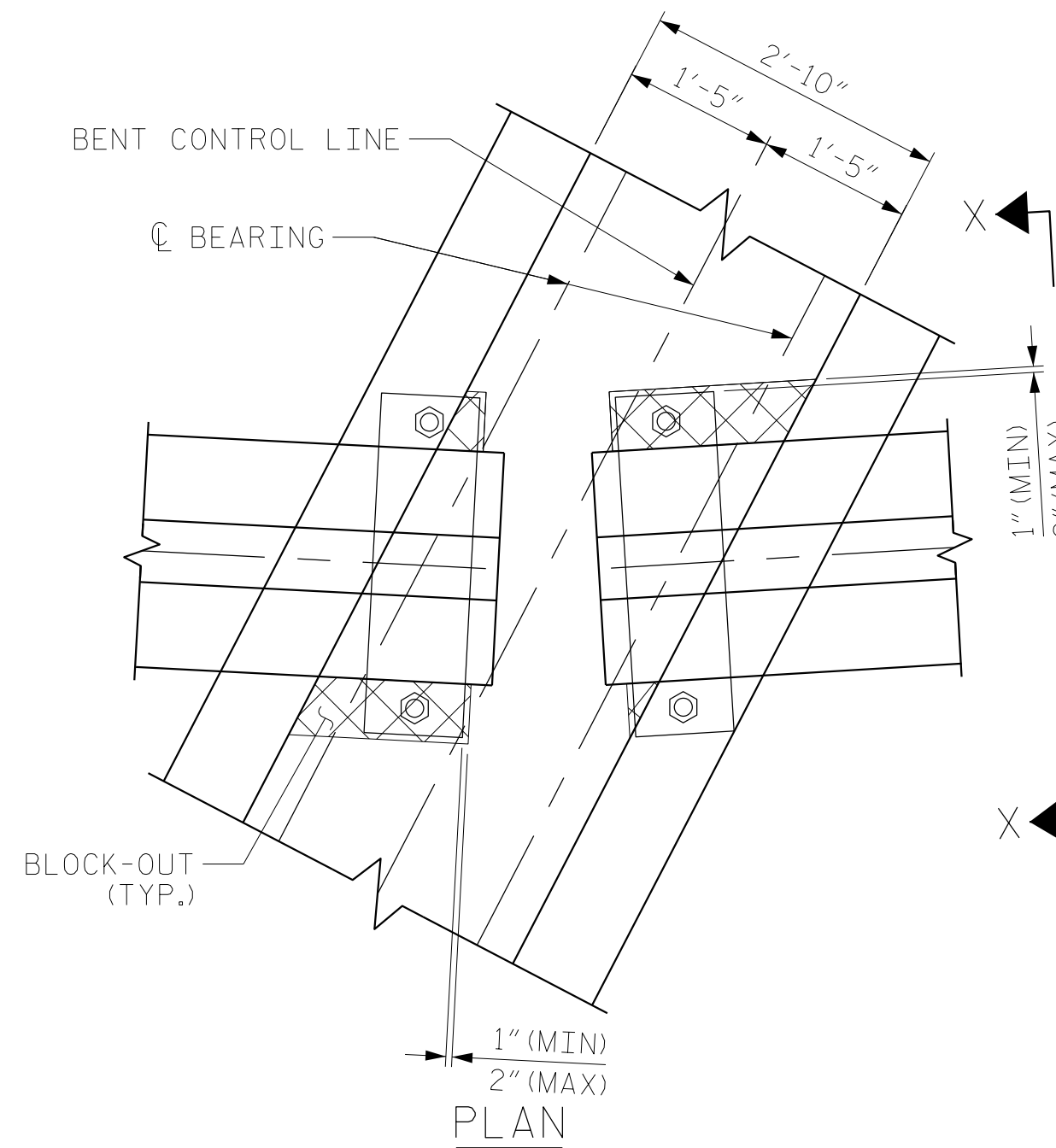


END BENT 1

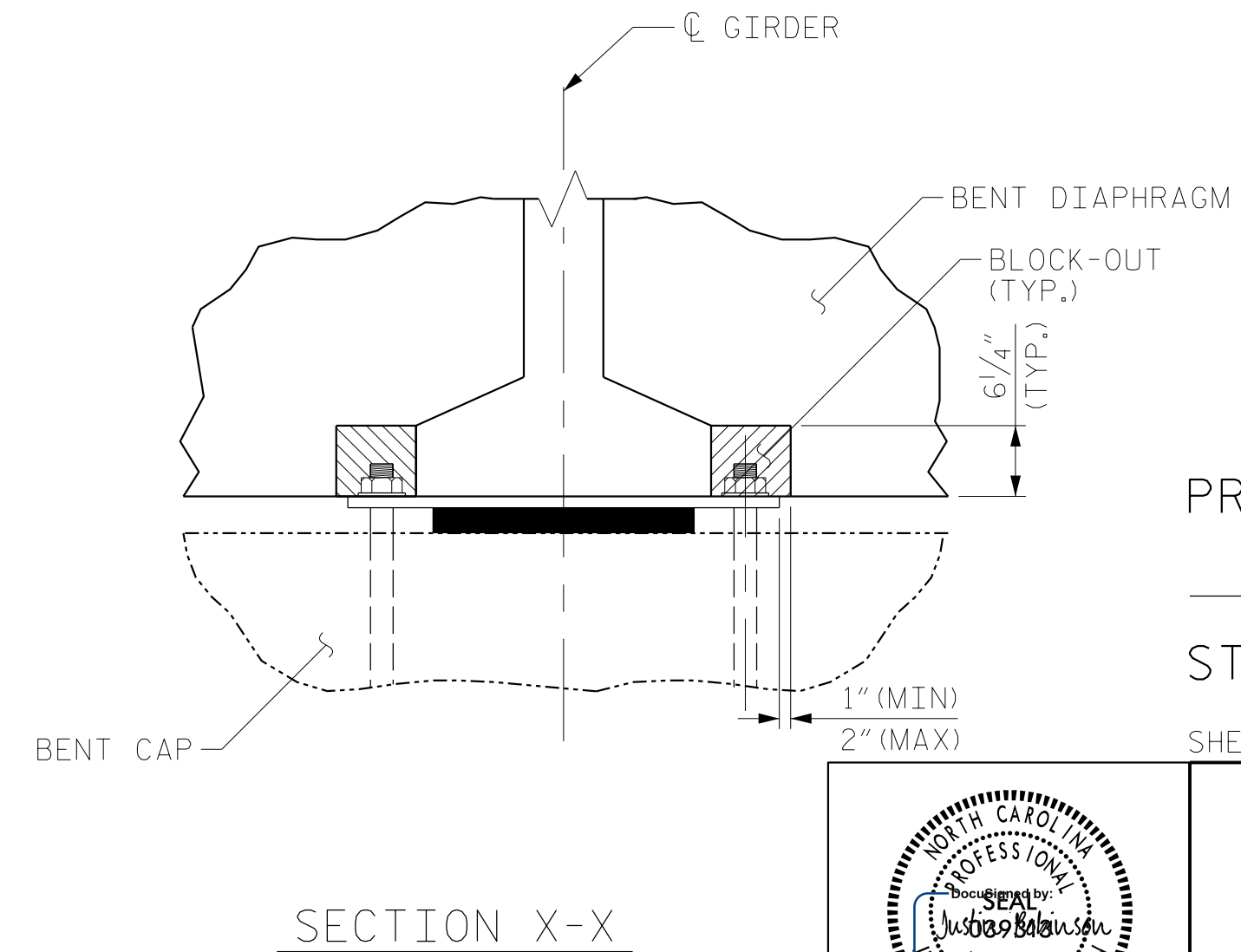
END BENT 2

### END BENT DIAPHRAGM

FOR FLANGE CLIP DETAILS, SEE 'PRESTRESSED CONCRETE GIRDER CONTINUOUS FOR LIVE LOAD DETAILS' SHEET 4 OF 4.



### BENT DIAPHRAGM BLOCKOUT DETAIL



### SECTION X-X

PROJECT NO. R-2707C  
CLEVELAND COUNTY  
STATION: 29+07.16 -Y2-

SHEET 2 OF 2

DRAWN BY : MKO DATE : 11/2016  
CHECKED BY : JMR DATE : 12/2016  
DESIGN ENGINEER : MKO DATE : 12/2016  
OF RECORD :



RS&H Architects-Engineers-Planners, Inc.  
8601 Six Forks Road, Suite 260  
Raleigh, NC 27615  
919-926-4100 FAX 919-846-9080  
www.rsandh.com  
North Carolina License No. 50737-F-0463-C-28

STATE OF NORTH CAROLINA  
DEPARTMENT OF TRANSPORTATION  
RALEIGH

SUPERSTRUCTURE

TYPICAL SECTION  
DETAILS

REVISIONS						SHEET NO.
NO.	BY:	DATE:	NO.	BY:	DATE:	S3-7
1			3			TOTAL SHEETS
2			4			36

DOCUMENT NOT CONSIDERED FINAL UNLESS ALL SIGNATURES COMPLETED