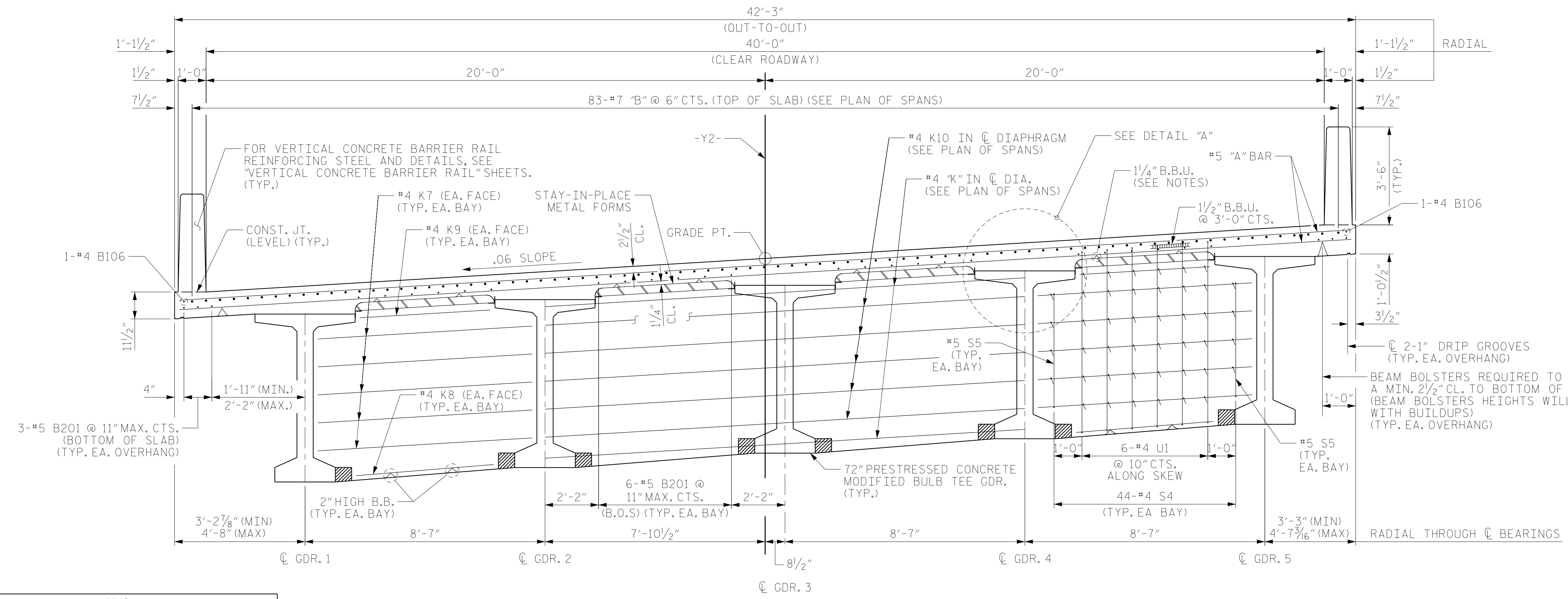


AT INTERMEDIATE DIAPHRAGMS
TYPICAL SECTION
 (B.O.S = BOTTOM OF SLAB)
 AT END BENT



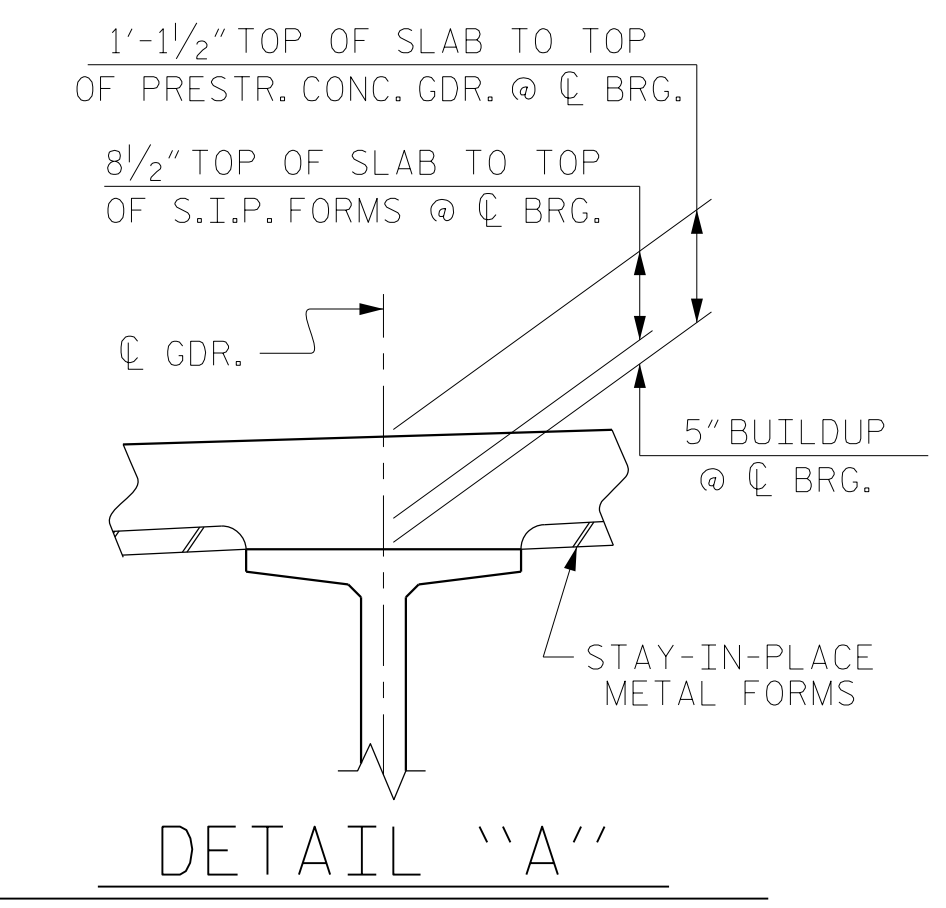
TYPICAL SECTION AT BENT DIAPHRAGM

NOTES:

PROVIDE 1/4" HIGH BEAM BOLSTERS UPPEERS AT 4'-0" CTS. ATOP THE METAL STAY-IN-PLACE FORMS TO SUPPORT THE BOTTOM MAT OF "A" BARS. WHEN USING REMOVABLE FORMS, PROVIDE CONTINUOUS HIGH CHAIRS FOR METAL DECK (CHCM) AT 4'-0" CTS. WITH A HEIGHT TO SUPPORT THE BOTTOM MAT OF "A" BARS A CLEAR DISTANCE OF 2 1/2" ABOVE THE TOP OF THE REMOVABLE FORM.

LONGITUDINAL STEEL MAY BE SHIFTED SLIGHTLY, AS NECESSARY, TO AVOID INTERFERENCE WITH STIRRUPS IN PRESTRESSED CONCRETE GIRDERS.

PREVIOUSLY CAST CONCRETE IN A CONTINUOUS UNIT SHALL HAVE ATTAINED MINIMUM COMPRESSIVE STRENGTH OF 3,000 PSI BEFORE ADDITIONAL CONCRETE IS CAST IN THE UNIT.



PROJECT NO. R-2707C
 CLEVELAND COUNTY
 STATION: 29+07.16 -Y2-
 SHEET 1 OF 2

STATE OF NORTH CAROLINA DEPARTMENT OF TRANSPORTATION RALEIGH					
SUPERSTRUCTURE TYPICAL SECTION					
REVISIONS					
NO.	BY:	DATE:	NO.	BY:	DATE:
1			3		
2			4		
SHEET NO.					S3-6
TOTAL SHEETS					36

DRAWN BY : MKO DATE : 11/2016
 CHECKED BY : JMR DATE : 12/2016
 DESIGN ENGINEER OF RECORD : MKO DATE : 12/2016

DOCUMENT NOT CONSIDERED FINAL UNLESS ALL SIGNATURES COMPLETED