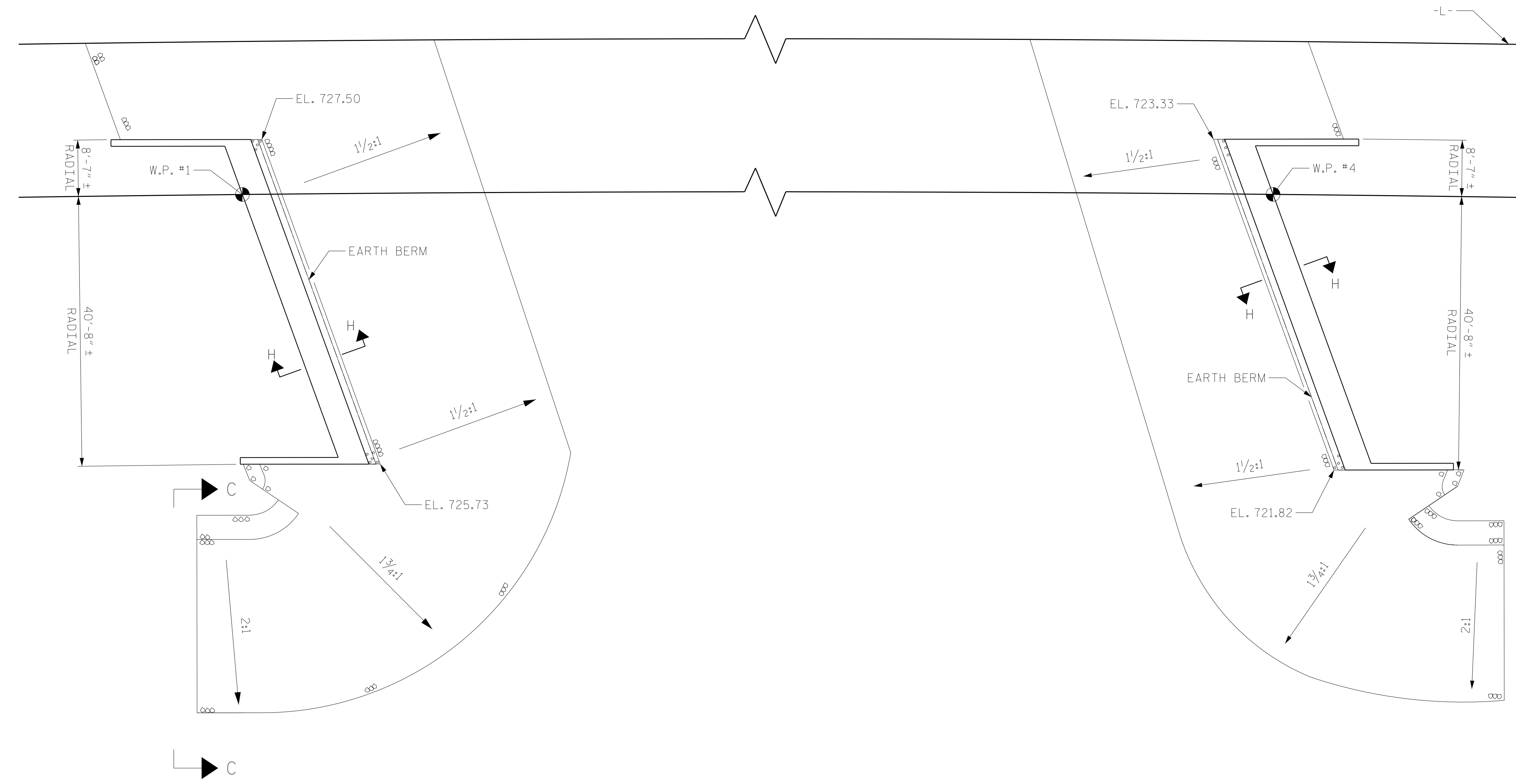
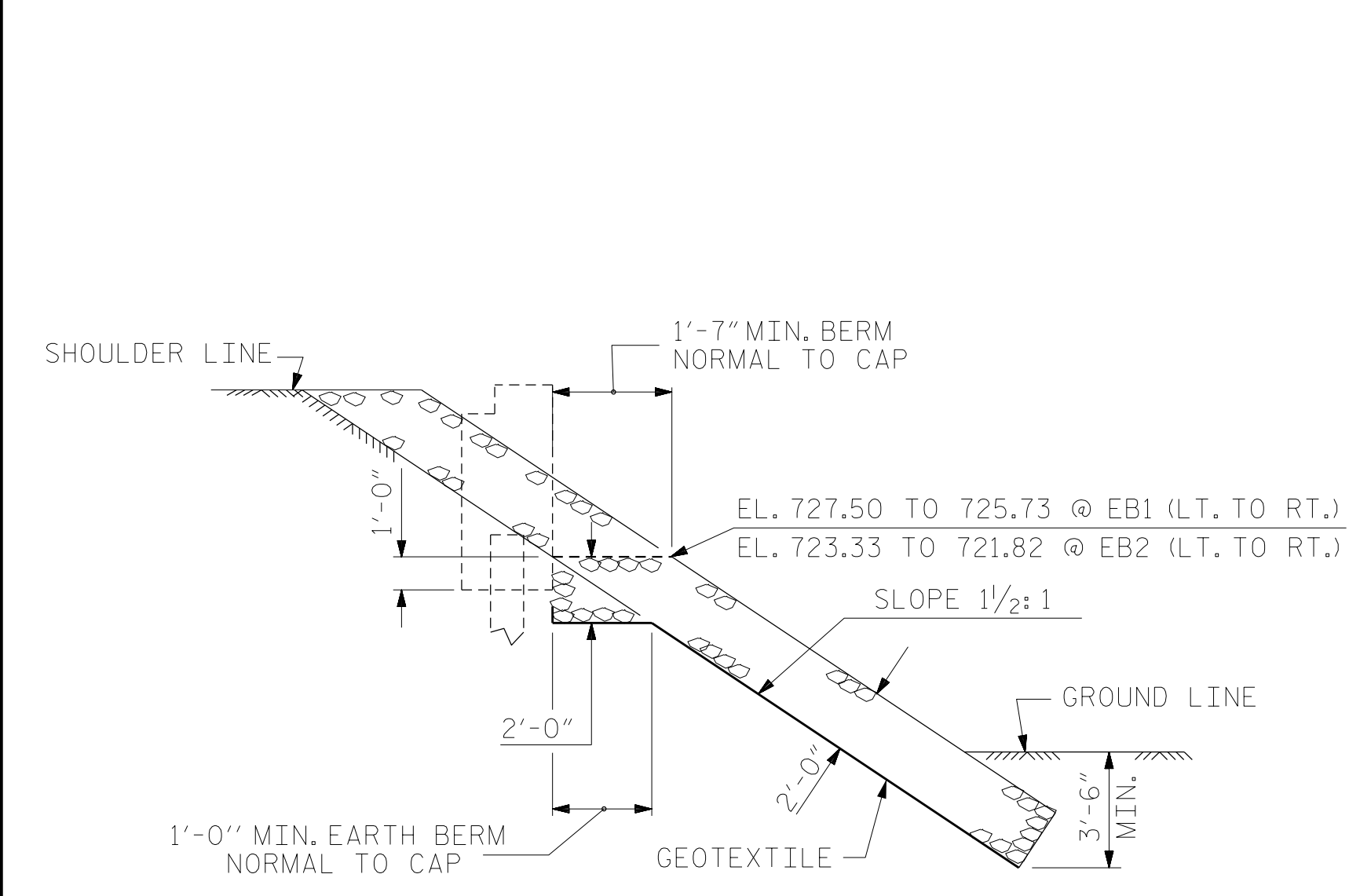


NOTES

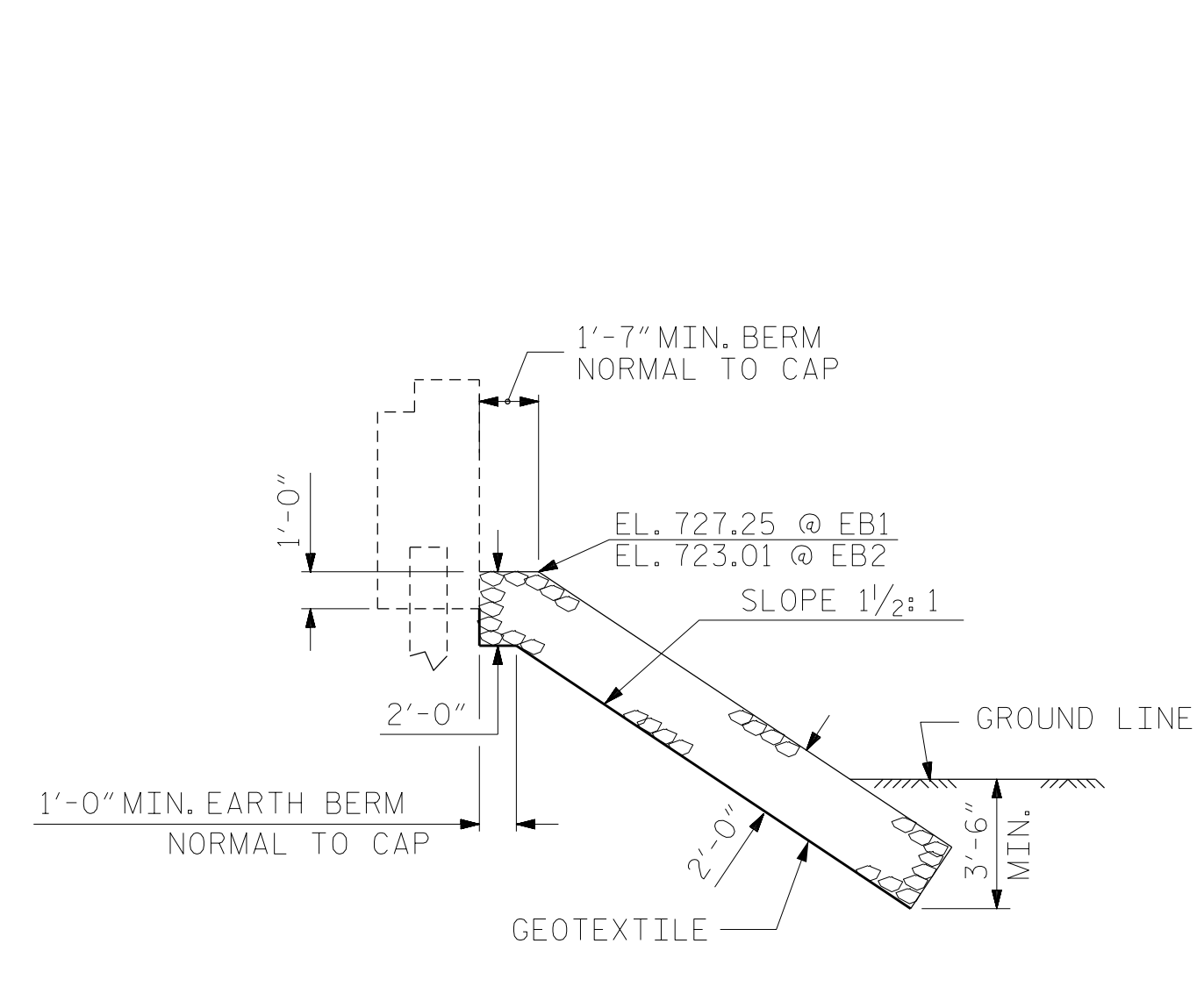
FOR BERM WIDTH DIMENSIONS, SEE GENERAL DRAWING.



ESTIMATED QUANTITIES		
BRIDGE @ STA. 384+50.00 -L-	RIP RAP CLASS II (2'-0" THICK)	GEOTEXTILE FOR DRAINAGE
	TONS	SQUARE YARDS
END BENT 1	500	550
END BENT 2	450	500

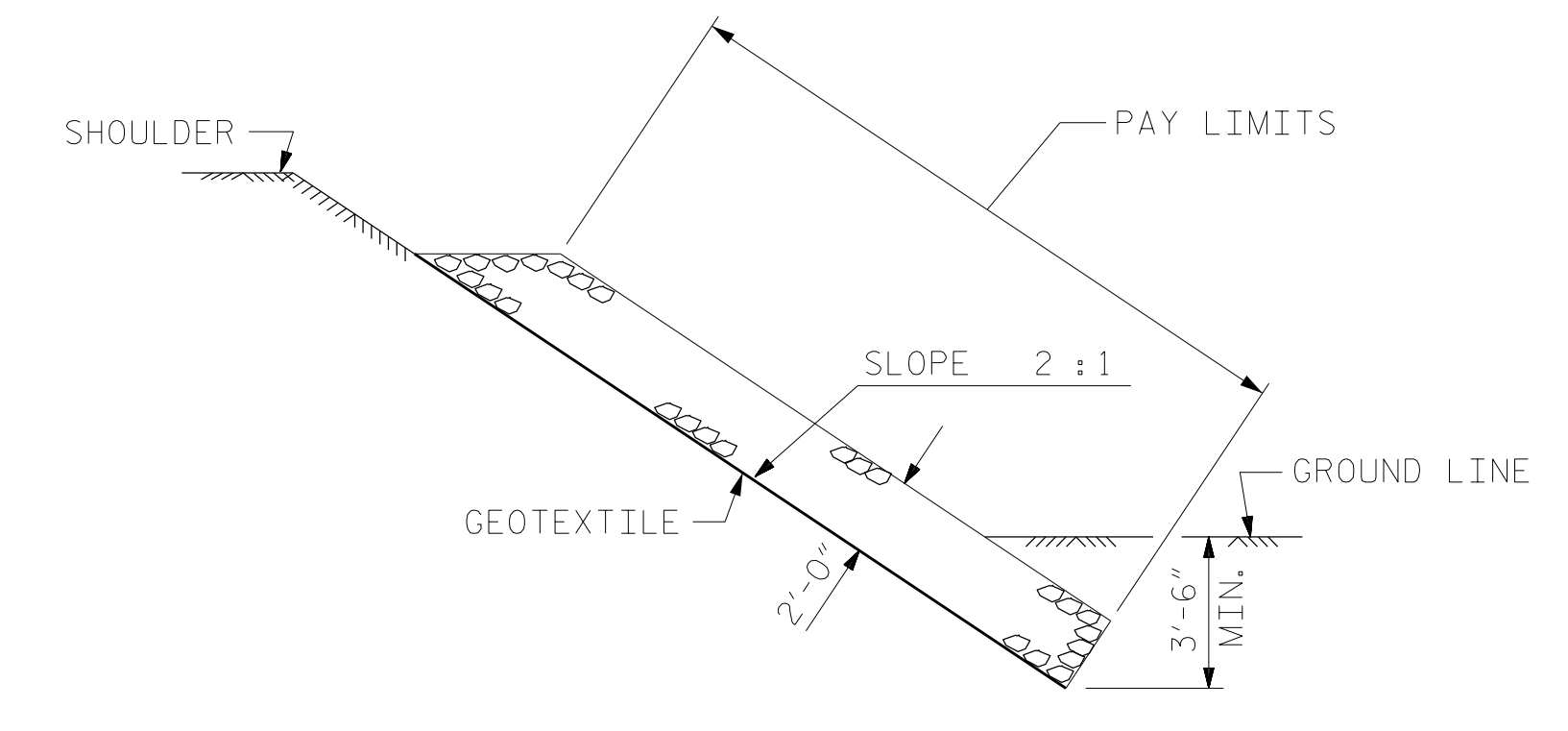


SECTION H-H



RIGHT LANE GRADE LINE SECTION

BERM RIP RAPPED



SECTION C-C

PROJECT NO. R-2707C
CLEVELAND COUNTY
 STATION: 384+50.00 -L-

3/9/2017
RS&H
 RS&H Architects-Engineers-Planners, Inc.
 8601 Six Forks Road, Suite 260
 Raleigh, NC 27615
 919-826-4100 FAX 919-846-9080
 www.rsandh.com
 North Carolina License No. 50973-F-5463-C-28

STATE OF NORTH CAROLINA DEPARTMENT OF TRANSPORTATION RALEIGH						SHEET NO. S2-35	
RIP RAP DETAILS						TOTAL SHEETS 36	
RIGHT LANE							
REVISIONS							
NO.	BY:	DATE:	NO.	BY:	DATE:		
1			3				
2			4				

DRAWN BY :	PDS	DATE :	11/2016
CHECKED BY :	TLC	DATE :	01/2017
DESIGN ENGINEER OF RECORD:	MAL	DATE :	11/2016

DOCUMENT NOT CONSIDERED
 FINAL UNLESS ALL
 SIGNATURES COMPLETED