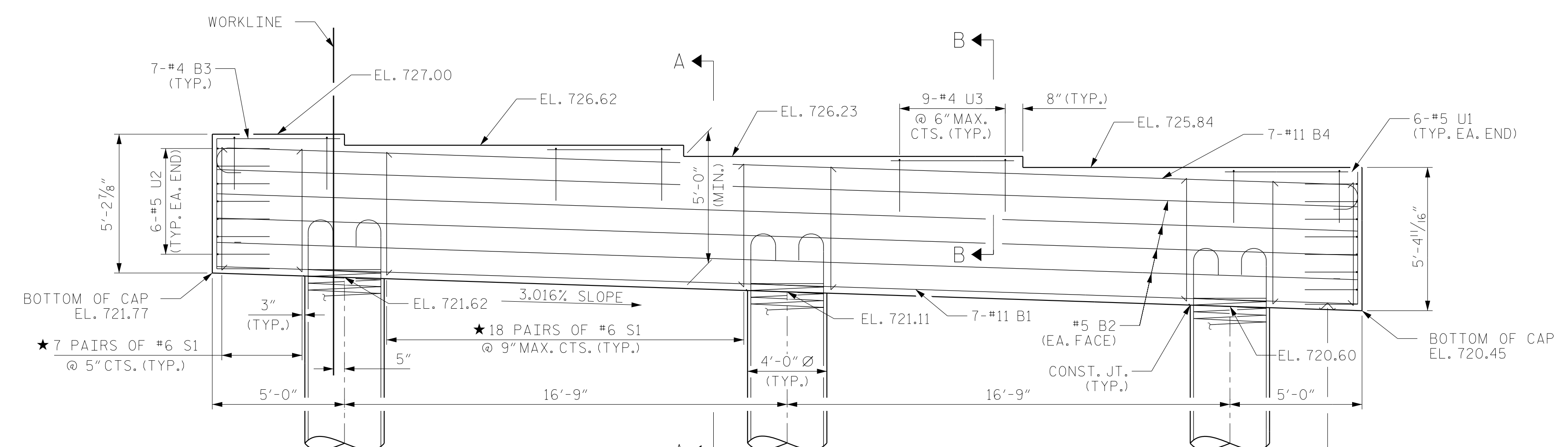
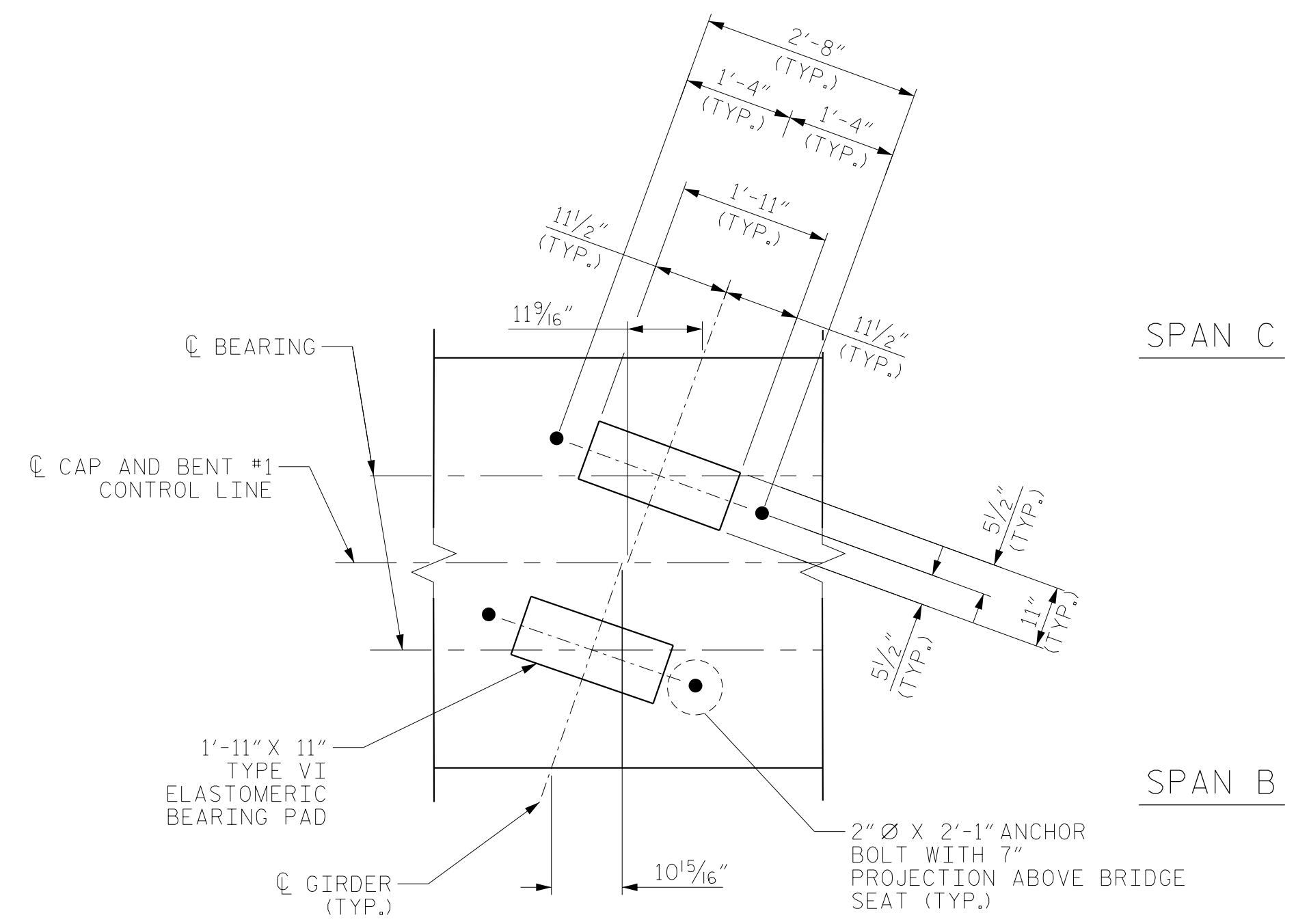


PLAN



ELEVATION



DETAIL "A"
DIMENSIONS ARE TYPICAL FOR EACH GIRDER

NOTES

- FOR SECTION A-A AND VIEW B-B, SEE SHEET 2 OF 2.
- FOR REINFORCING STEEL BILL OF MATERIAL, SEE SHEET 2 OF 2.
- STIRRUPS AND UI BARS IN CAP MAY BE SHIFTED AS NECESSARY TO CLEAR ANCHOR BOLTS.
- HOOKS ON "V" BARS MAY BE TURNED AS NECESSARY FOR PLACING REINFORCING STEEL.
- ALL STEEL IN THE DRILLED PIERS IS INCLUDED IN THE PAY ITEMS FOR "REINFORCING STEEL" AND "SPIRAL COLUMN REINFORCING STEEL."
- ★ INVERT ALTERNATE #6 SI STIRRUP PAIRS.
- THE CONTRACTOR'S ATTENTION IS CALLED TO THE FACT THAT THE LONGITUDINAL REINFORCEMENT FOR THE DRILLED PIERS IS DETAILED WITH 3 FEET OF EXTRA LENGTH.
- THE LOCATION OF THE CONSTRUCTION JOINT IN THE DRILLED PIERS IS BASED ON AN APPROXIMATE GROUND LINE ELEVATION. IF THE CONSTRUCTION JOINT IS ABOVE THE ACTUAL GROUND ELEVATION, THE CONTRACTOR SHALL PLACE THE CONSTRUCTION JOINT 1 FOOT BELOW THE GROUND LINE.
- RLGL = RIGHT LANE GRADE LINE

PROJECT NO. R-2707C
CLEVELAND COUNTY
 STATION: 384+50.00 -L-

SHEET 1 OF 2



STATE OF NORTH CAROLINA
 DEPARTMENT OF TRANSPORTATION
 RALEIGH
 SUBSTRUCTURE
 BENT NO. 2
 RIGHT LANE

REVISIONS						SHEET NO.
NO.	BY:	DATE:	NO.	BY:	DATE:	S2-29
1			3			TOTAL SHEETS
2			4			36

DRAWN BY : PDS DATE : 11/2016
 CHECKED BY : TLC DATE : 01/2017
 DESIGN ENGINEER OF RECORD: MAL DATE : 11/2016

DOCUMENT NOT CONSIDERED FINAL UNLESS ALL SIGNATURES COMPLETED