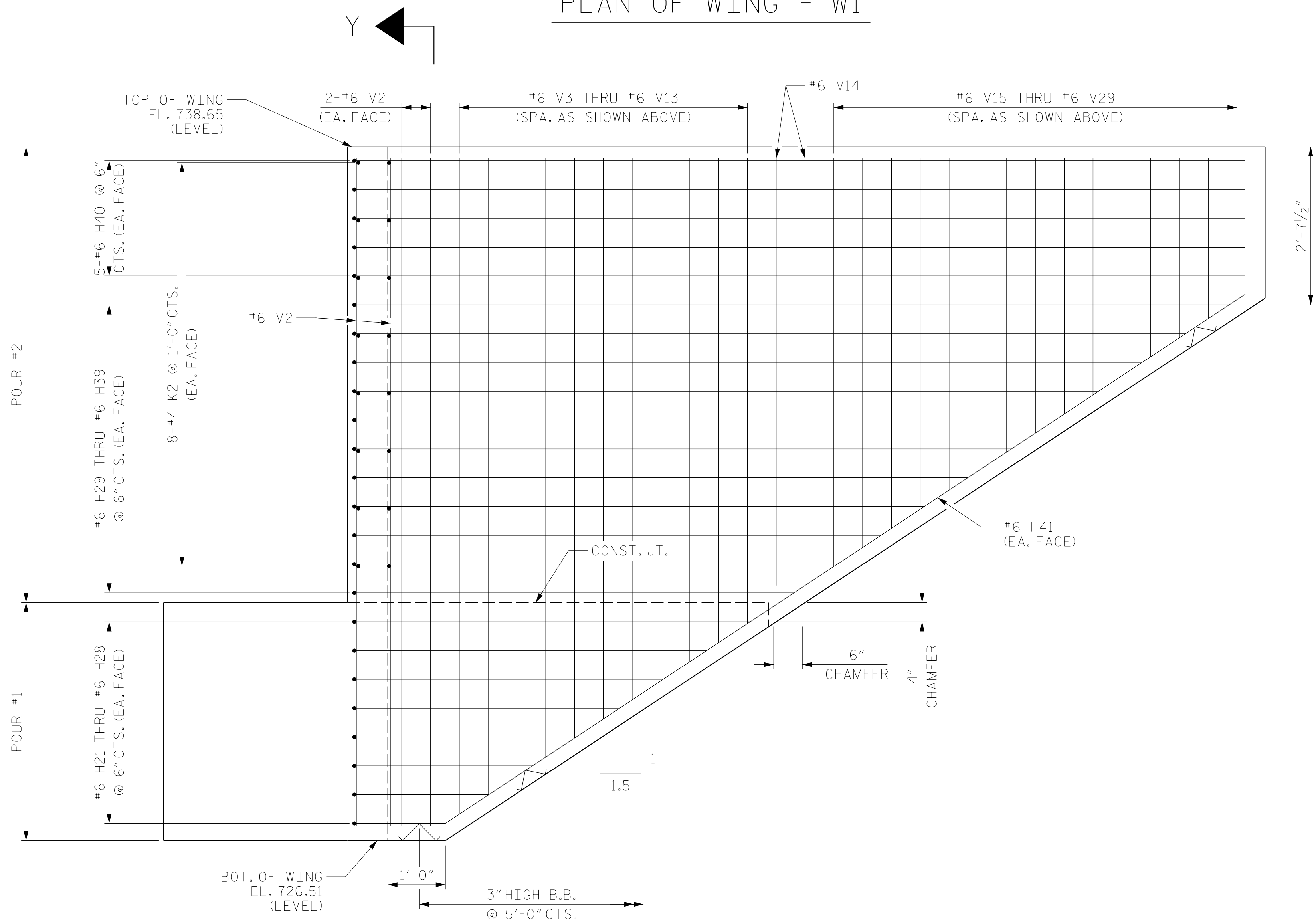
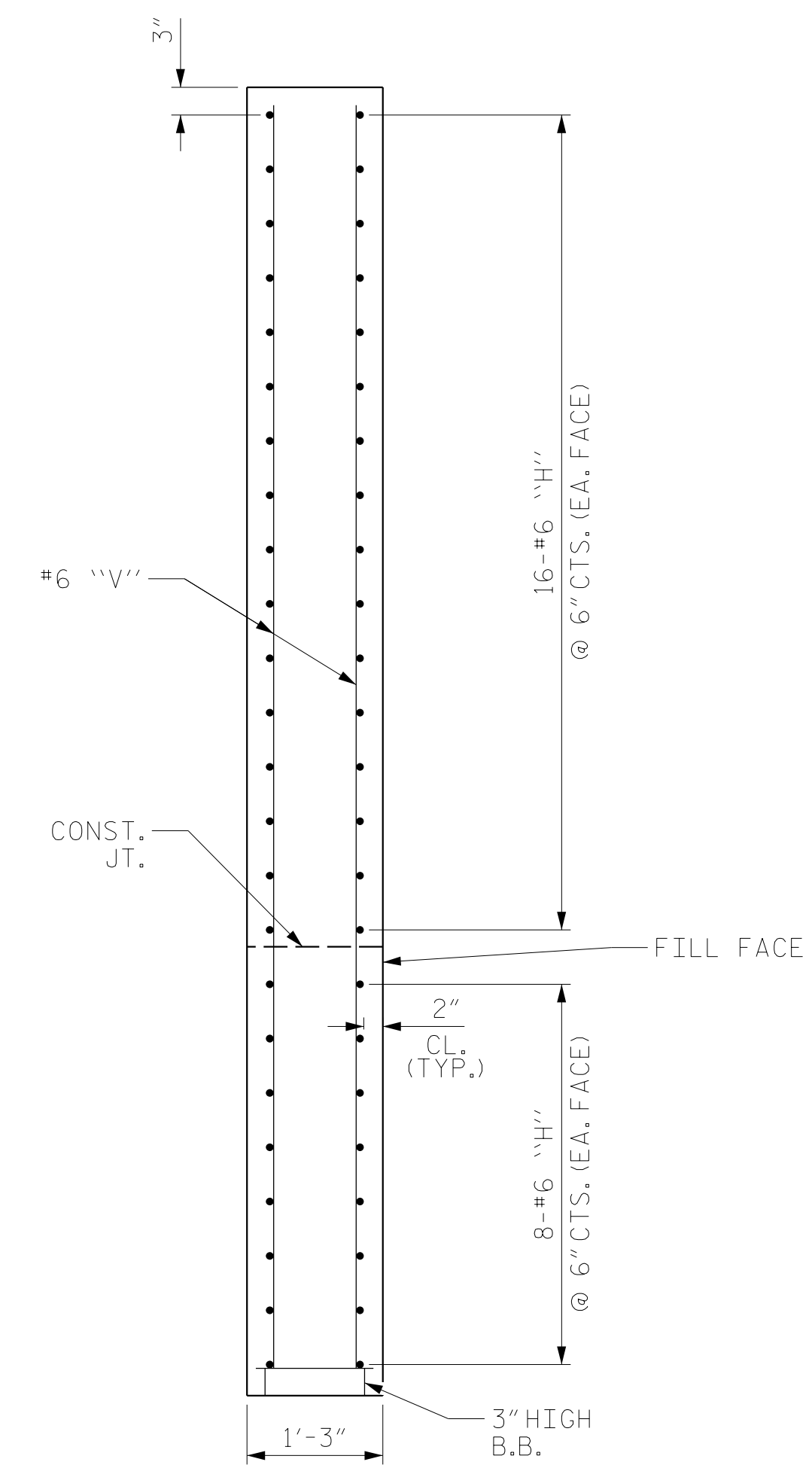


PLAN OF WING - W1



ELEVATION OF WING - W1



SECTION Y-Y

PROJECT NO. R-2707C
CLEVELAND COUNTY
 STATION: 384+50.00 -L-

SHEET 3 OF 4



STATE OF NORTH CAROLINA
 DEPARTMENT OF TRANSPORTATION
 RALEIGH
 SUBSTRUCTURE
 INTEGRAL
 END BENT NO. 1
 RIGHT LANE

REVISIONS						SHEET NO.
NO.	BY:	DATE:	NO.	BY:	DATE:	S2-25
1			3			TOTAL SHEETS
2			4			36

DRAWN BY : PDS DATE : 11/2016
 CHECKED BY : TLC DATE : 01/2017
 DESIGN ENGINEER OF RECORD: MAL DATE : 11/2016

DOCUMENT NOT CONSIDERED
 FINAL UNLESS ALL
 SIGNATURES COMPLETED