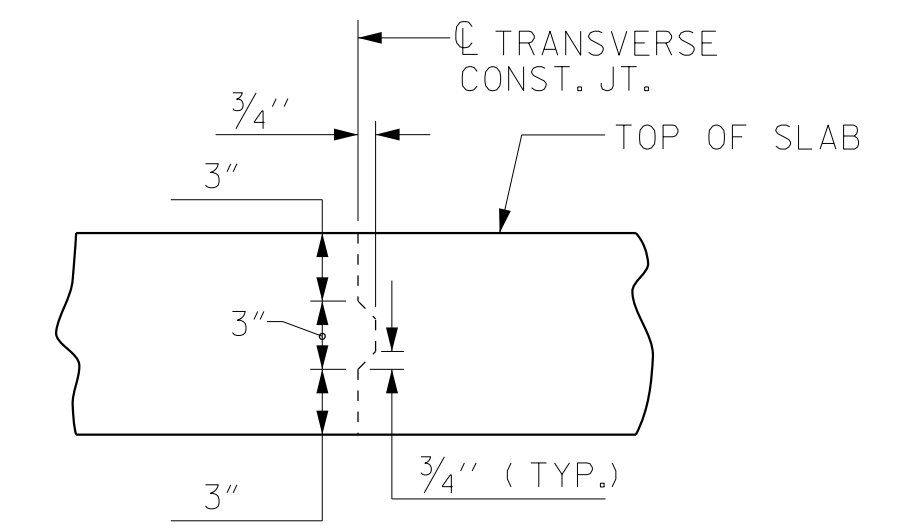


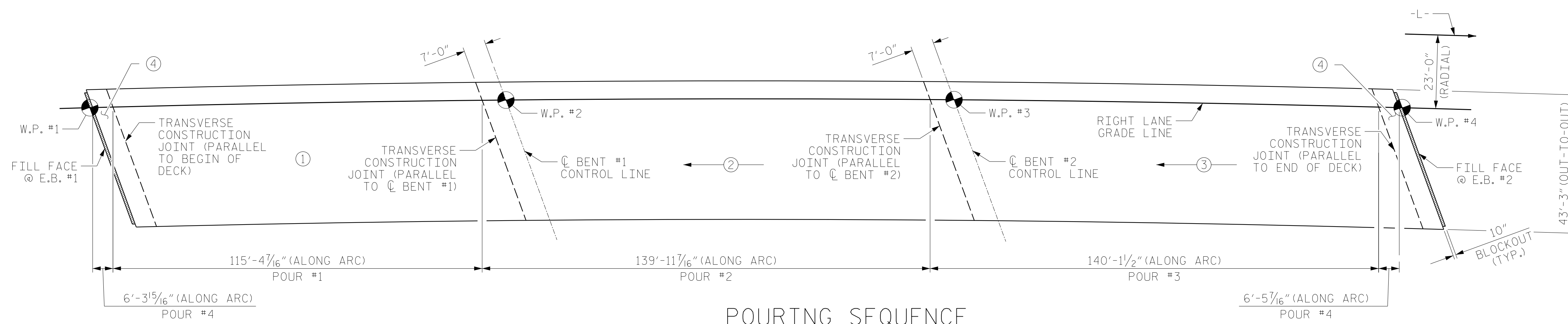
LAYOUT FOR COMPUTING
 AREA OF REINFORCED CONCRETE DECK SLAB
 (SQ. FT = 17,661)

NOTE: BENT & INTEGRAL END BENT
 DIAPHRAGMS ARE PART OF
 SUPERSTRUCTURE POUR.

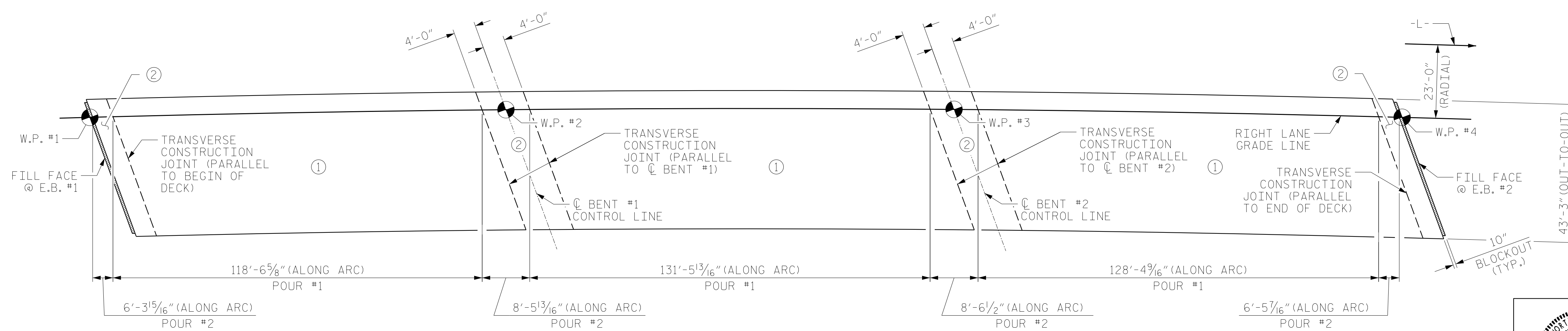


TRANSVERSE
 CONSTRUCTION
 JOINT DETAIL

NOTE: REINFORCING STEEL IN SLAB NOT
 SHOWN. LONGITUDINAL REINFORCING
 STEEL SHALL BE CONTINUOUS THRU
 JOINT



POURING SEQUENCE



OPTIONAL POURING SEQUENCE

POUR 2 CAN NOT BE STARTED UNTIL BOTH ADJACENT ①POURS REACH A MINIMUM OF 3000 PSI

PROJECT NO. R-2707C
CLEVELAND COUNTY
 STATION: 384+50.00 -L-

SHEET 2 OF 2



STATE OF NORTH CAROLINA
 DEPARTMENT OF TRANSPORTATION
 RALEIGH
 SUPERSTRUCTURE
 BILL OF MATERIAL
 RIGHT LANE

REVISIONS						SHEET NO.
NO.	BY:	DATE:	NO.	BY:	DATE:	S2-22
1			3			TOTAL SHEETS
2			4			36

DRAWN BY : PDS DATE : 12/2016
 CHECKED BY : TLC DATE : 01/2017
 DESIGN ENGINEER OF RECORD: MAL DATE : 12/2016

DOCUMENT NOT CONSIDERED
 FINAL UNLESS ALL
 SIGNATURES COMPLETED