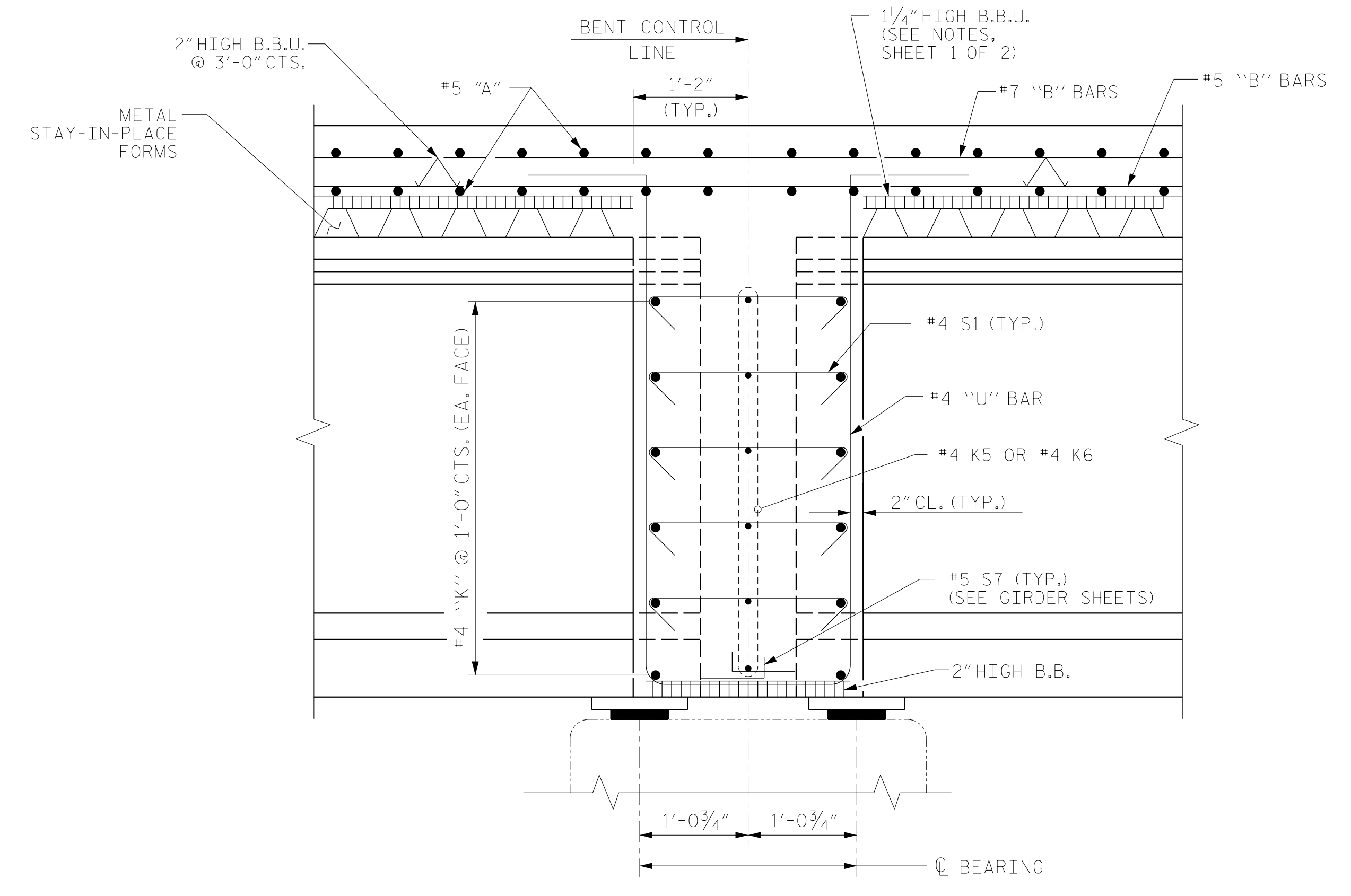
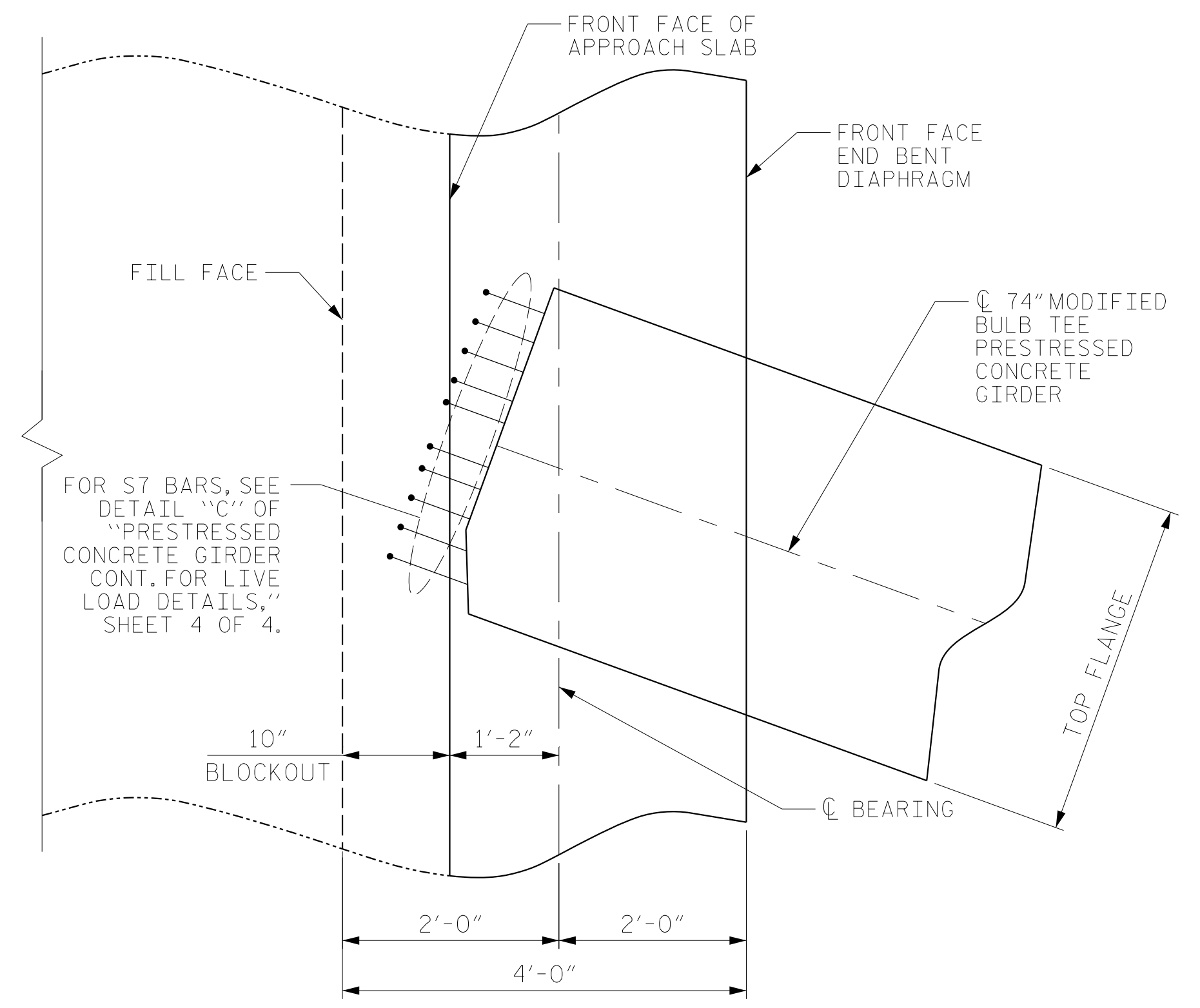


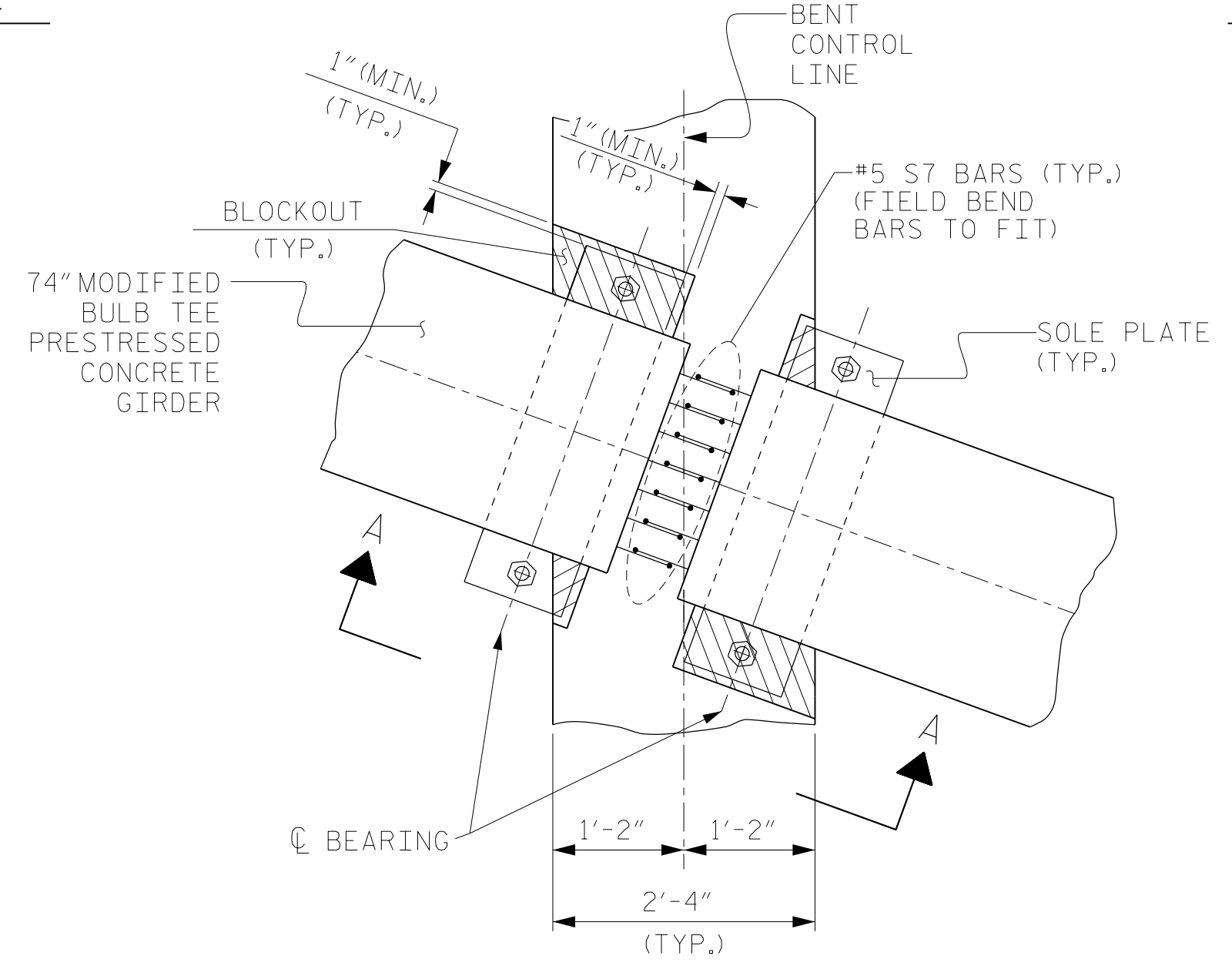
SECTION THRU INTEGRAL END BENT



SECTION THRU CONTINUOUS BENT DIAPHRAGM

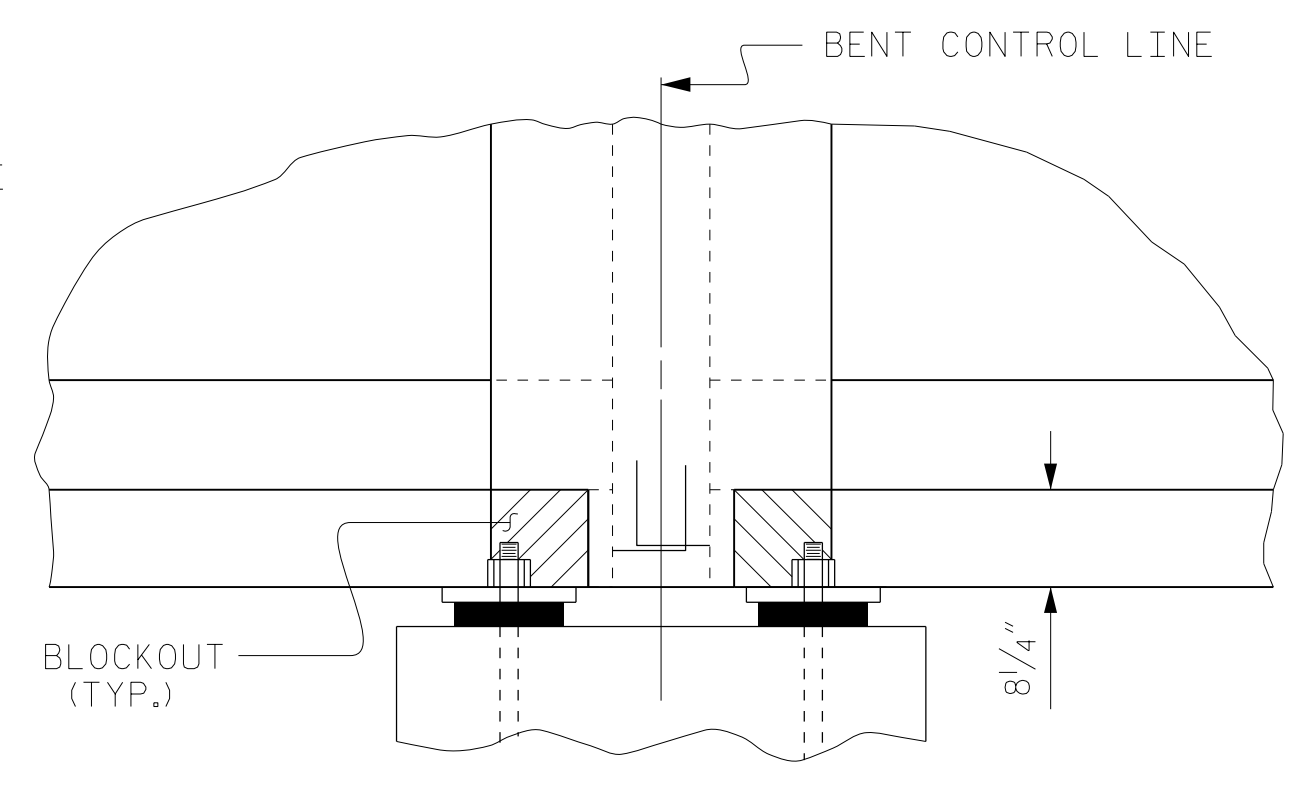


PLAN OF GIRDER @ INTEGRAL END BENT



PLAN VIEW

BENT DIAPHRAGM BLOCKOUT DETAIL



SECTION A-A

PROJECT NO. R-2707C
CLEVELAND COUNTY
 STATION: 384+50.00 -L-
 SHEET 2 OF 2

RS&H
 RS&H Architects-Engineers-Planners, Inc.
 8601 Six Forks Road, Suite 260
 Raleigh, NC 27615
 919-926-4100 FAX 919-846-9080
 www.rsandh.com
 North Carolina License No. 50737-F-0403-1-C-01

STATE OF NORTH CAROLINA DEPARTMENT OF TRANSPORTATION RALEIGH						SHEET NO.
SUPERSTRUCTURE TYPICAL SECTION DETAILS RIGHT LANE						S2-7
REVISIONS						TOTAL SHEETS
NO.	BY:	DATE:	NO.	BY:	DATE:	36
1			3			
2			4			

DRAWN BY : PDS DATE : 11/2016
 CHECKED BY : TLC DATE : 01/2017
 DESIGN ENGINEER OF RECORD: MAL DATE : 11/2016

DOCUMENT NOT CONSIDERED
 FINAL UNLESS ALL
 SIGNATURES COMPLETED