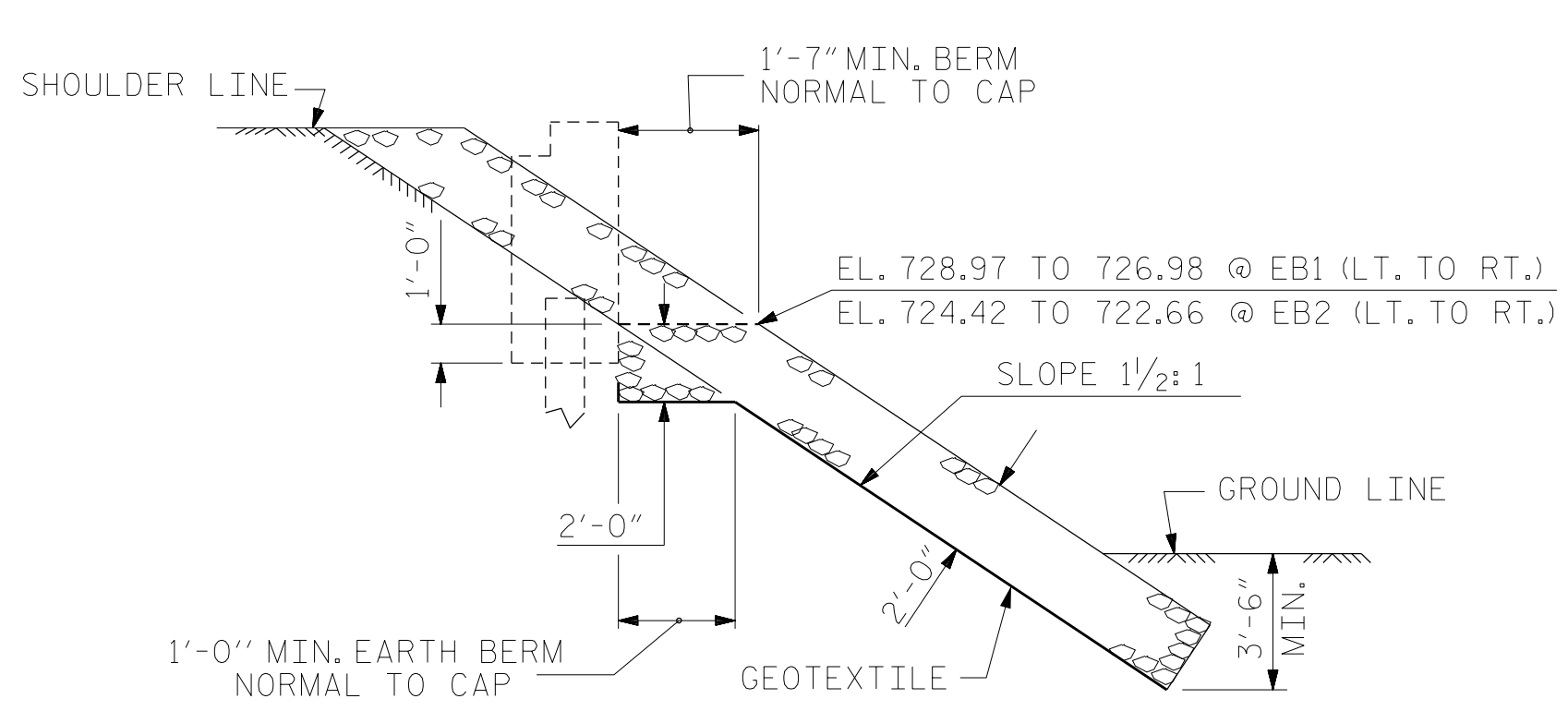
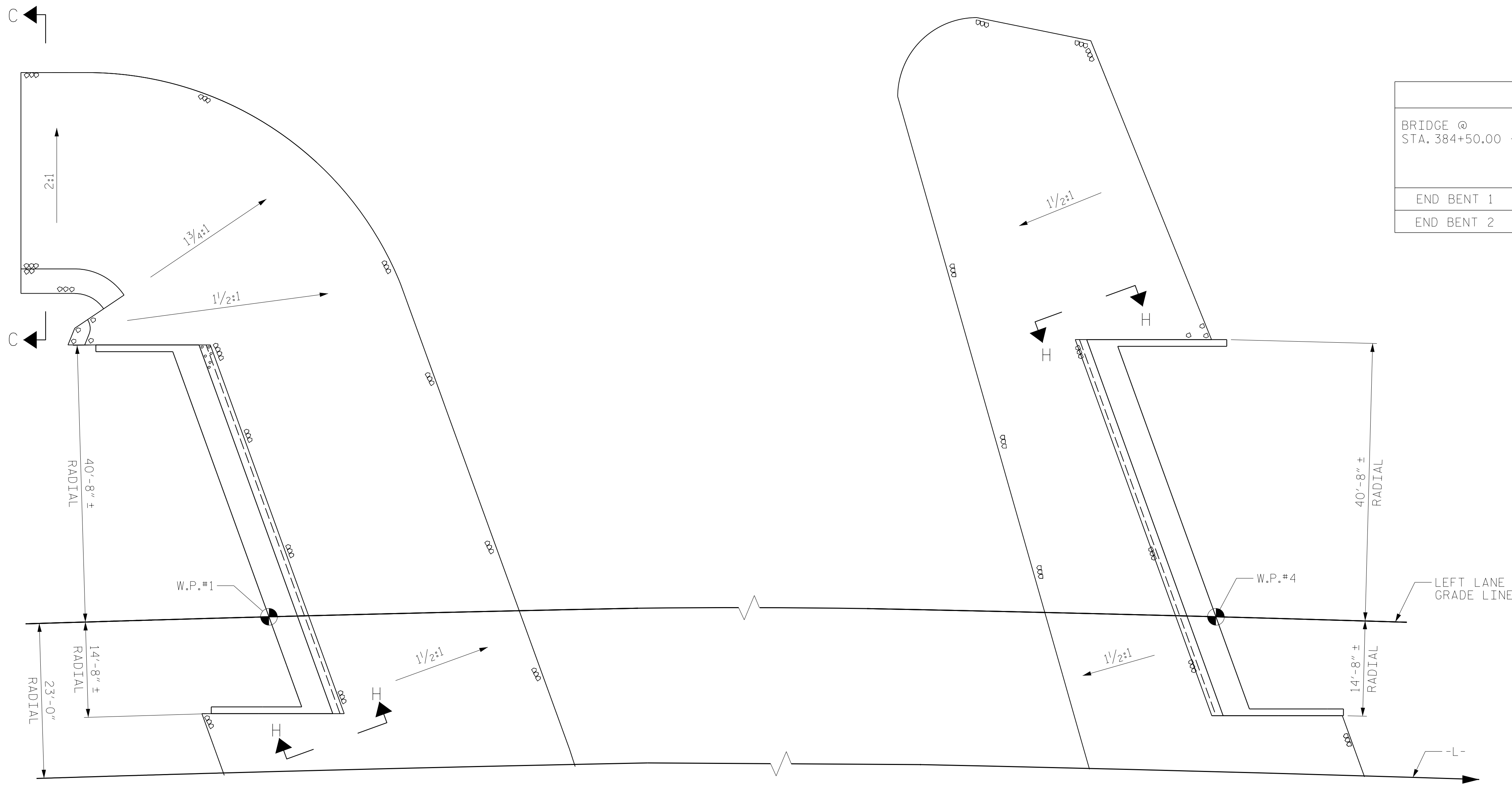
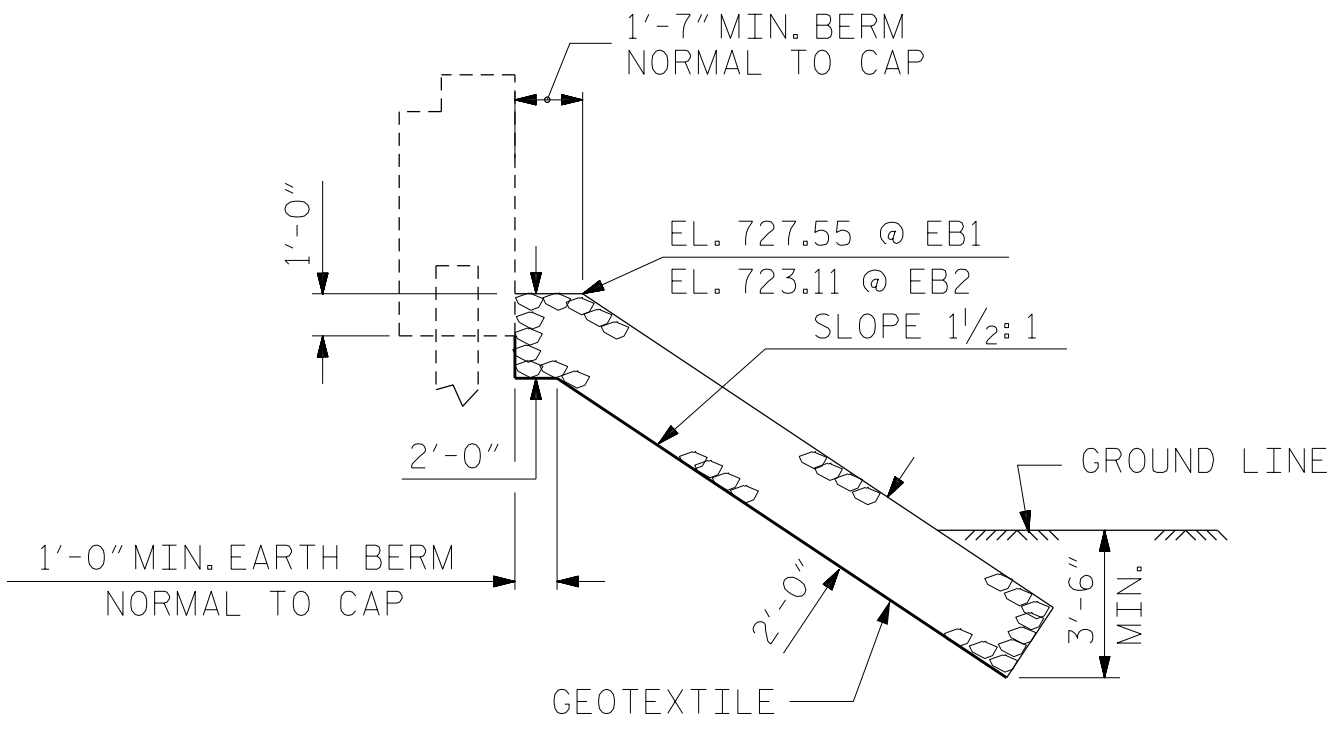


NOTES
FOR BERM WIDTH DIMENSIONS, SEE GENERAL DRAWING.

ESTIMATED QUANTITIES		
BRIDGE @ STA. 384+50.00 -L-	RIP RAP CLASS II (2'-0" THICK)	GEOTEXTILE FOR DRAINAGE
	TONS	SQUARE YARDS
END BENT 1	400	490
END BENT 2	265	325

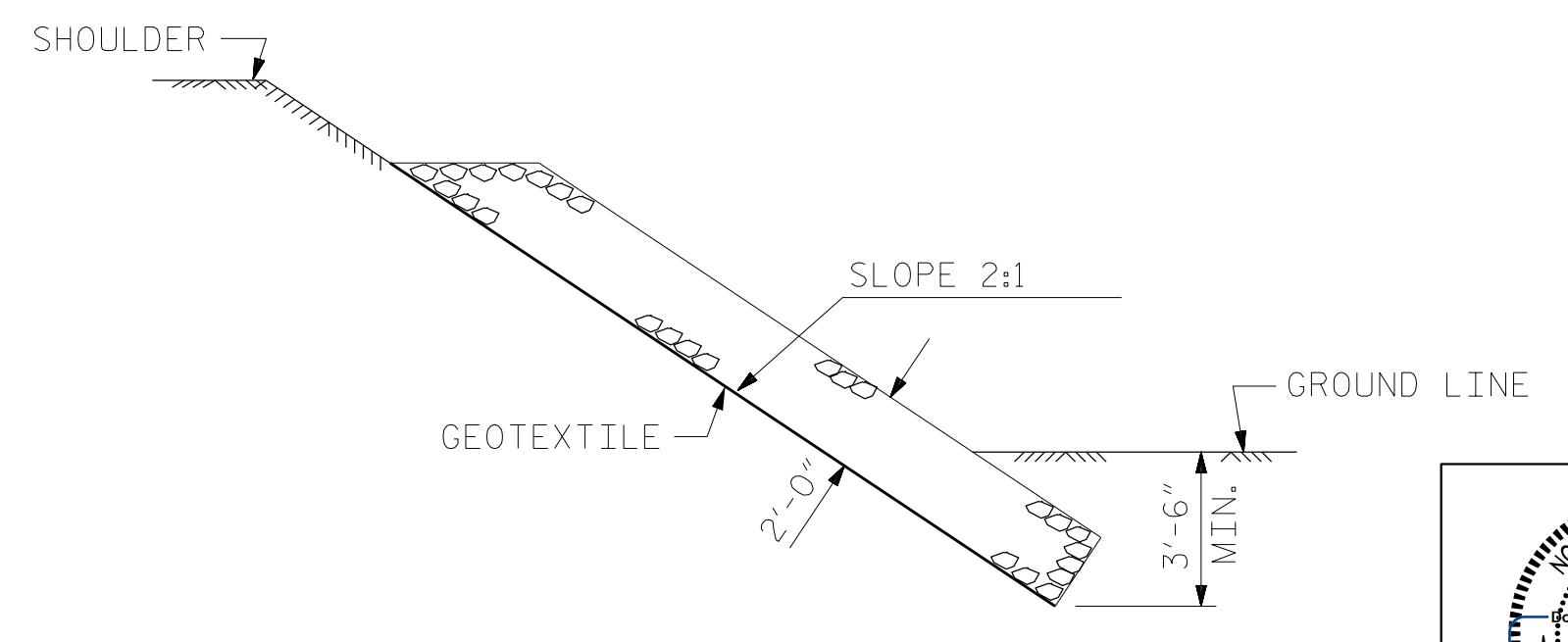


VIEW H-H



LEFT LANE GRADE LINE SECTION

BERM RIP RAPPED



SECTION C-C

PROJECT NO. R-2707C
CLEVELAND COUNTY
STATION: 384+50.00 -L-



STATE OF NORTH CAROLINA
DEPARTMENT OF TRANSPORTATION
RALEIGH

RIP RAP DETAILS

LEFT LANE

REVISIONS						SHEET NO.
NO.	BY:	DATE:	NO.	BY:	DATE:	S1-35
1			3			TOTAL SHEETS
2			4			36

DRAWN BY : MAL DATE : 11/2016
CHECKED BY : JMR DATE : 12/2016
DESIGN ENGINEER OF RECORD: MAL DATE : 11/2016

DOCUMENT NOT CONSIDERED FINAL UNLESS ALL SIGNATURES COMPLETED