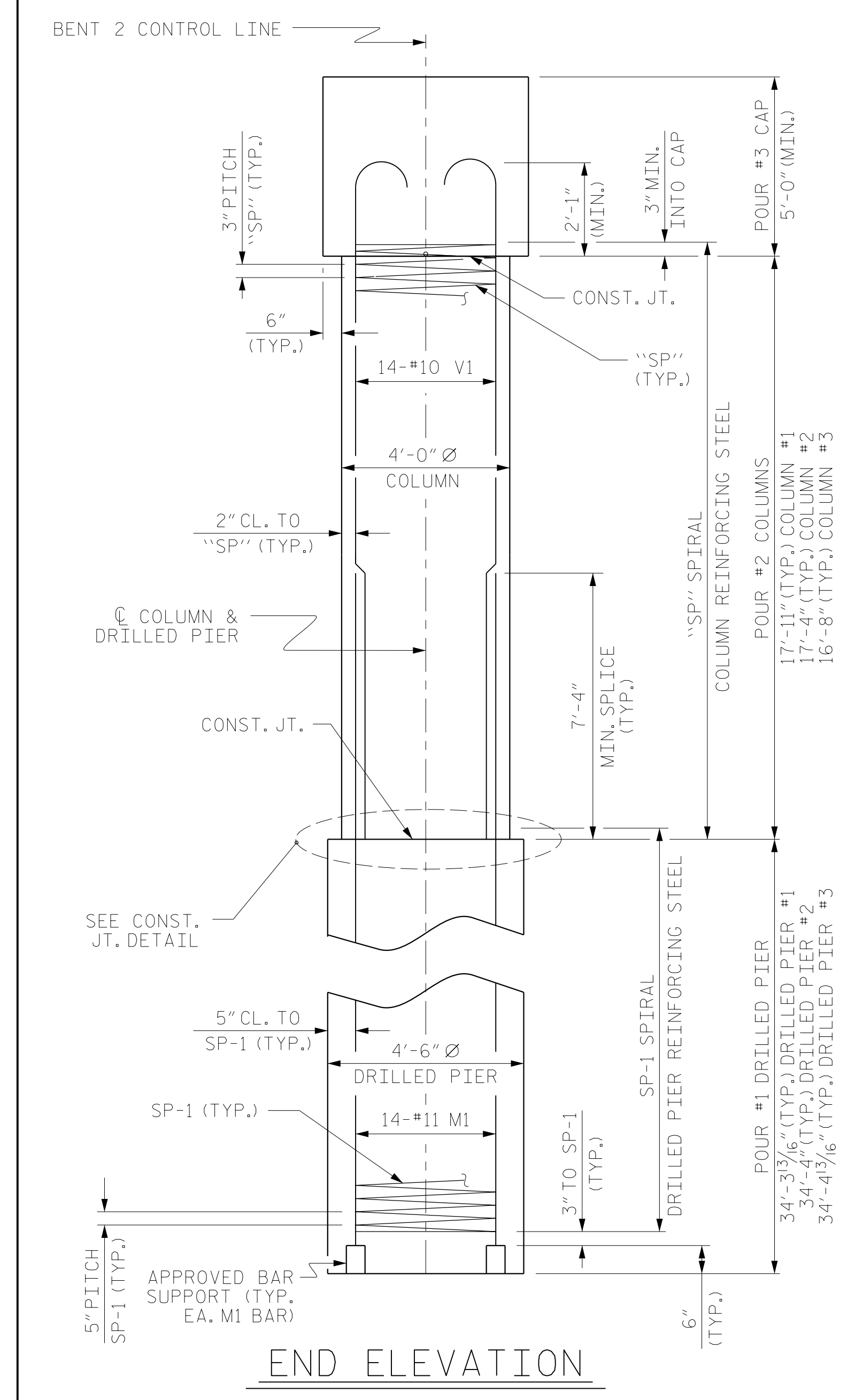
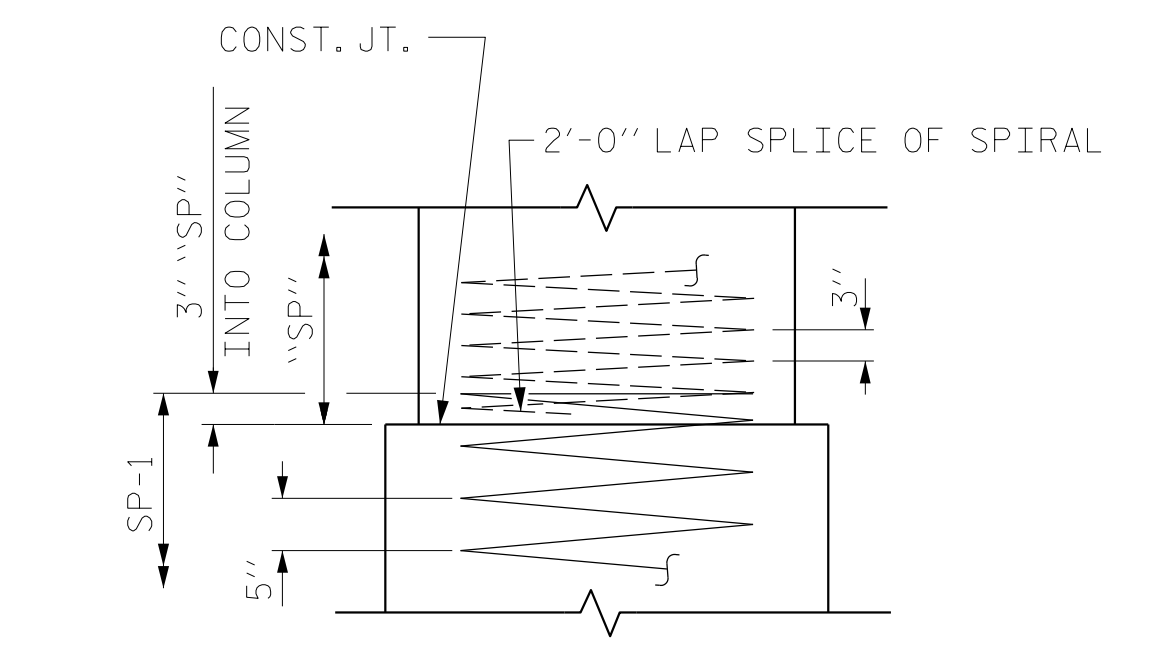


PLAN OF DRILLED PIERS & COLUMNS

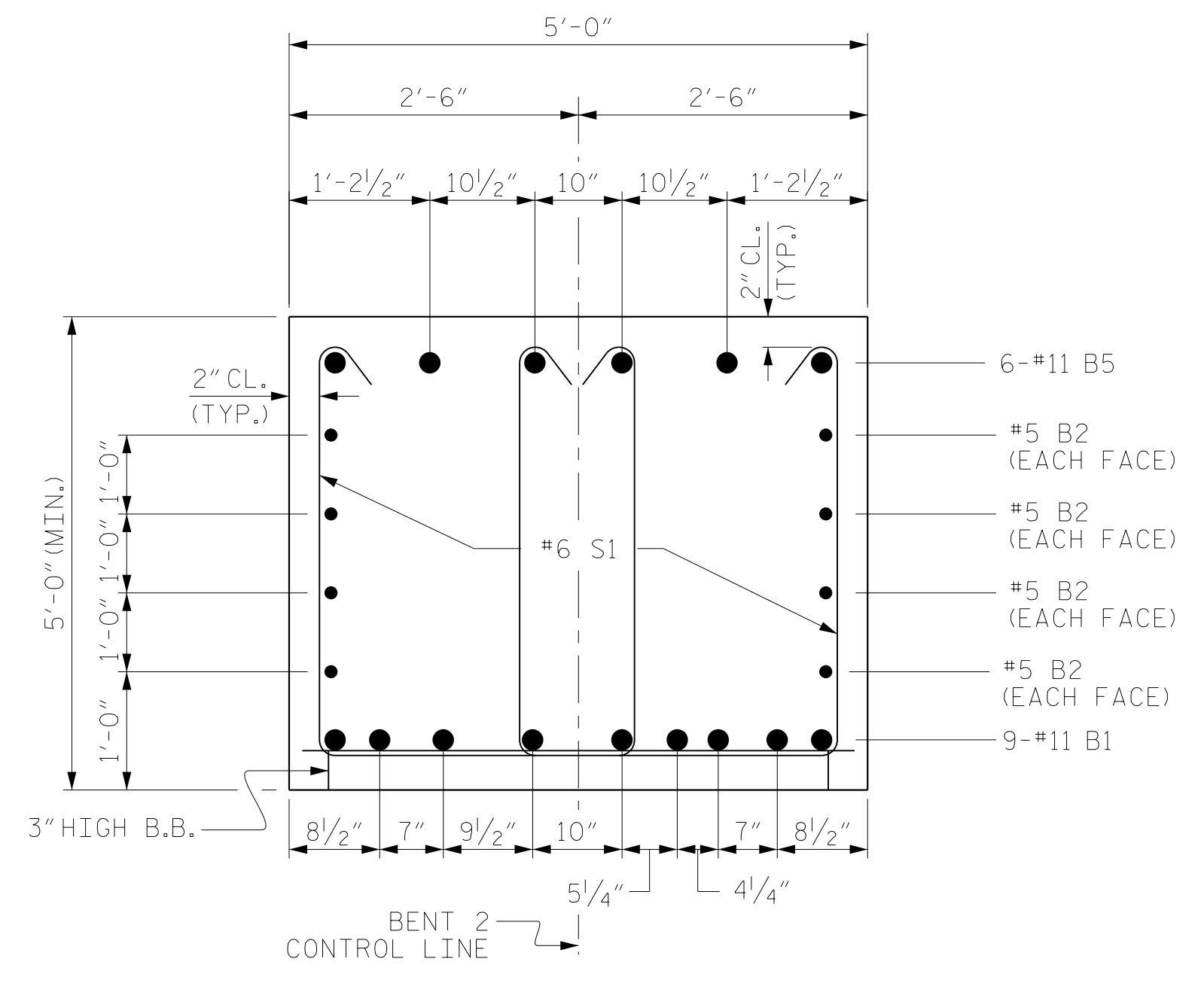
LLGL = LEFT LANE GRADE LINE



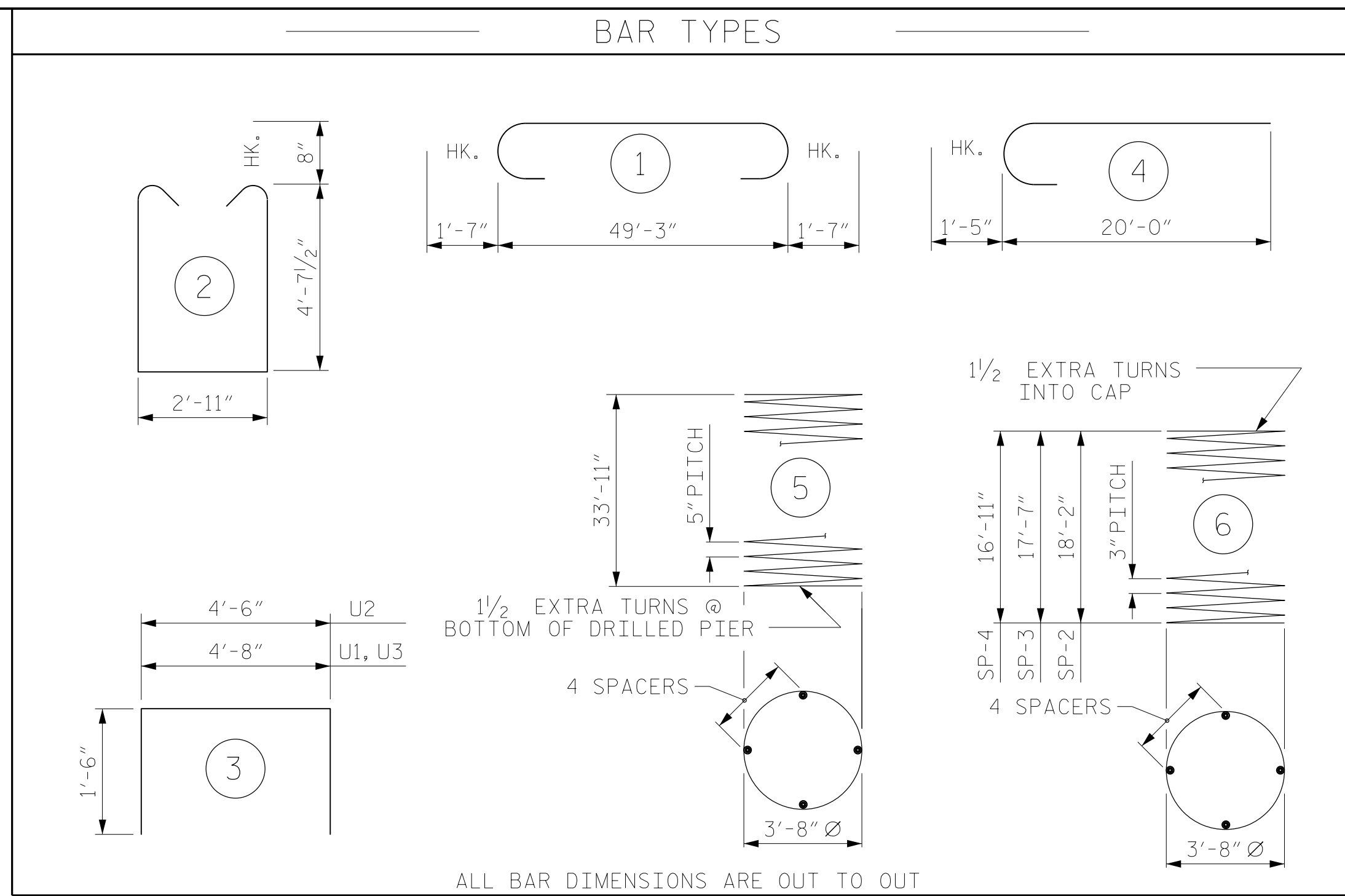
END ELEVATION



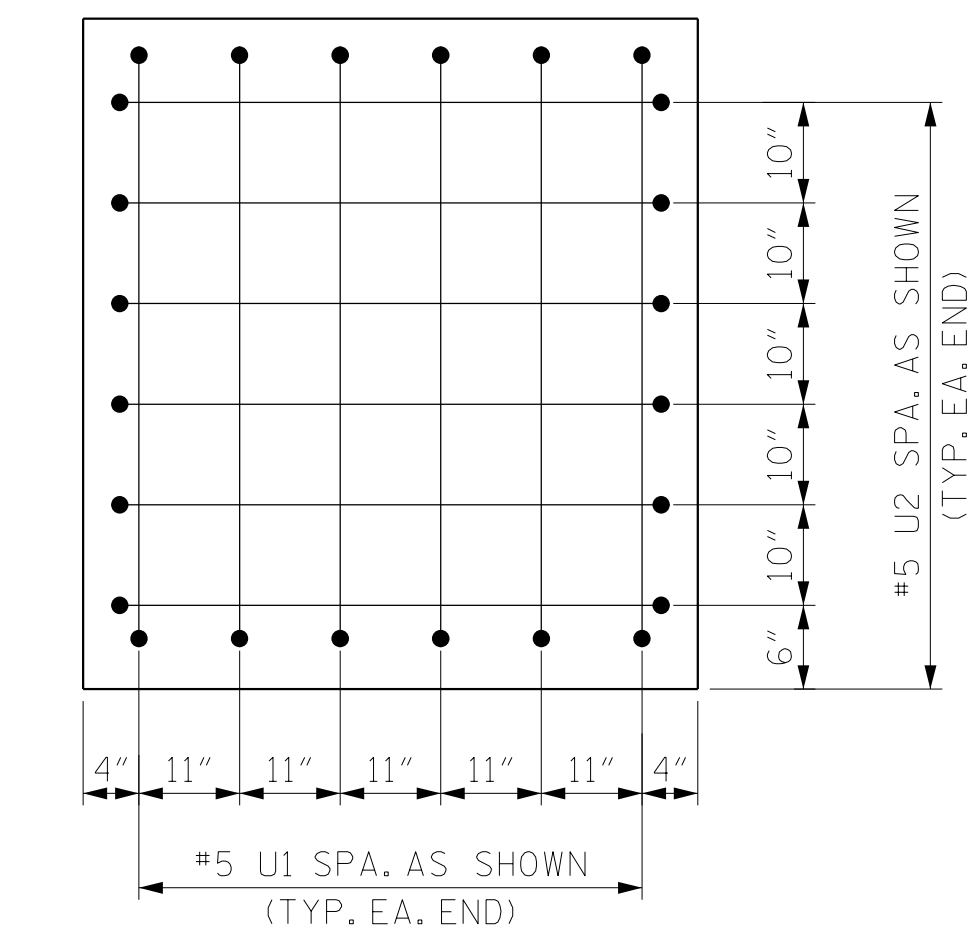
CONSTRUCTION JOINT DETAIL



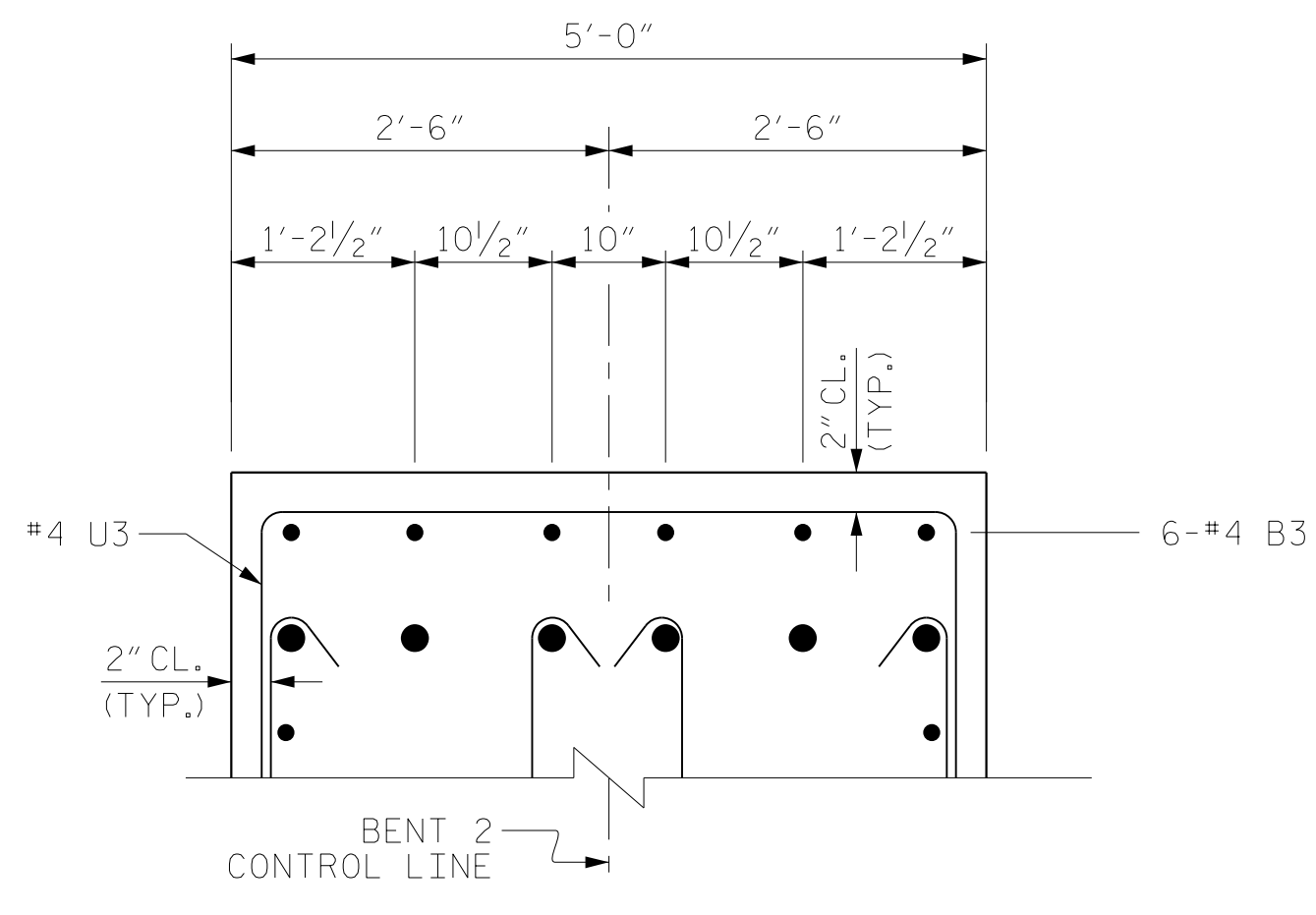
SECTION A-A



ALL BAR DIMENSIONS ARE OUT TO OUT



END OF CAP VIEW  
(TYPICAL BOTH ENDS)



VIEW B-B

BILL OF MATERIAL FOR BENT 2					
BAR	NO.	SIZE	TYPE	LENGTH	WEIGHT
B1	9	#11	STR	49'-3"	2355
B2	8	#5	STR	49'-3"	411
B3	6	#4	STR	6'-0"	24
B4	30	#4	STR	4'-7"	92
B5	6	#11	1	52'-5"	1671
M1	42	#11	STR	44'-3"	9874
S1	116	#6	2	13'-6"	2352
U1	12	#5	3	7'-8"	96
U2	12	#5	3	7'-6"	94
U3	40	#4	3	7'-8"	205
V1	42	#10	4	21'-5"	3871
REINFORCING STEEL (FOR BENT 2)					21,045 LBS.
SP-1	3	**	5	943'-2"	2951
SP-2	1	*	6	843'-5"	563
SP-3	1	*	6	820'-2"	548
SP-4	1	*	6	786'-7"	525

SPIRAL COLUMN REINFORCING STEEL (FOR BENT 2) 4,587 LBS.

\*\* THE "SP" SPIRAL REINFORCING STEEL SHALL BE W31 OR D-31 COLD DRAWN WIRE OR #5 PLAIN OR DEFORMED BAR  
\* THE "SP" SPIRAL REINFORCING STEEL SHALL BE W20 OR D-20 COLD DRAWN WIRE OR #4 PLAIN OR DEFORMED BAR

CLASS A CONCRETE BREAKDOWN (FOR BENT 2)	
POUR #2 (COLUMNS)	24.2 C.Y.
POUR #3 (CAP)	47.7 C.Y.
<b>TOTAL CLASS A CONCRETE</b>	<b>71.9 C.Y.</b>

DRILLED PIERS: (FOR BENT 2)	
DRILLED PIER CONCRETE POUR #1 (DRILLED PIERS)	60.8 C.Y.
4'-6" Ø DRILLED PIER NOT IN SOIL	27.0 LIN. FT.
4'-6" Ø DRILLED PIER IN SOIL	76.1 LIN. FT.
PERMANENT STEEL CASING FOR 4'-6" Ø DRILLED PIER	54 LIN. FT.
Δ CSL TUBES	430.2 LIN. FT.

Δ NO SEPARATE PAYMENT WILL BE MADE FOR CSL TUBES. CSL TUBES WILL BE INCLUDED IN THE UNIT BID PRICE FOR DRILLED PIERS.

PROJECT NO. R-2707C  
CLEVELAND COUNTY  
STATION: 384+50.00 -L-

SHEET 2 OF 2



STATE OF NORTH CAROLINA  
DEPARTMENT OF TRANSPORTATION  
RALEIGH  
SUBSTRUCTURE  
BENT NO. 2  
DETAILS  
LEFT LANE

DRAWN BY : MAL	DATE : 11/2016
CHECKED BY : JMR	DATE : 12/2016
DESIGN ENGINEER OF RECORD: MAL	DATE : 11/2016

DOCUMENT NOT CONSIDERED FINAL UNLESS ALL SIGNATURES COMPLETED

RS&H Architects-Engineers-Planners, Inc.  
8601 Six Forks Road, Suite 260  
919-926-4100 FAX 919-846-9080  
www.rsandh.com  
North Carolina License Nos. 50737-54063-C&E

REVISIONS						SHEET NO.
NO.	BY:	DATE:	NO.	BY:	DATE:	S1-30
1			3			TOTAL SHEETS
2			4			36