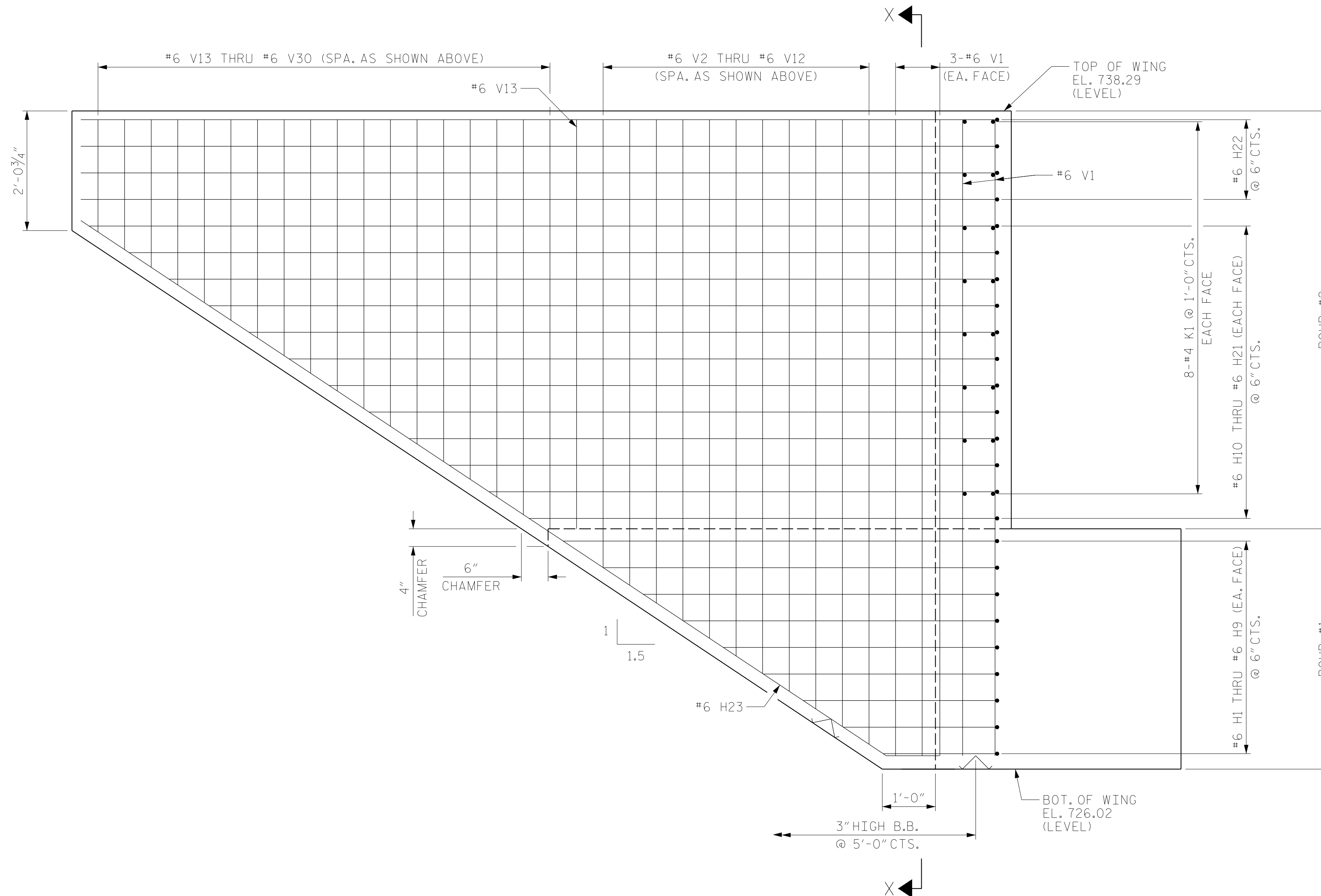
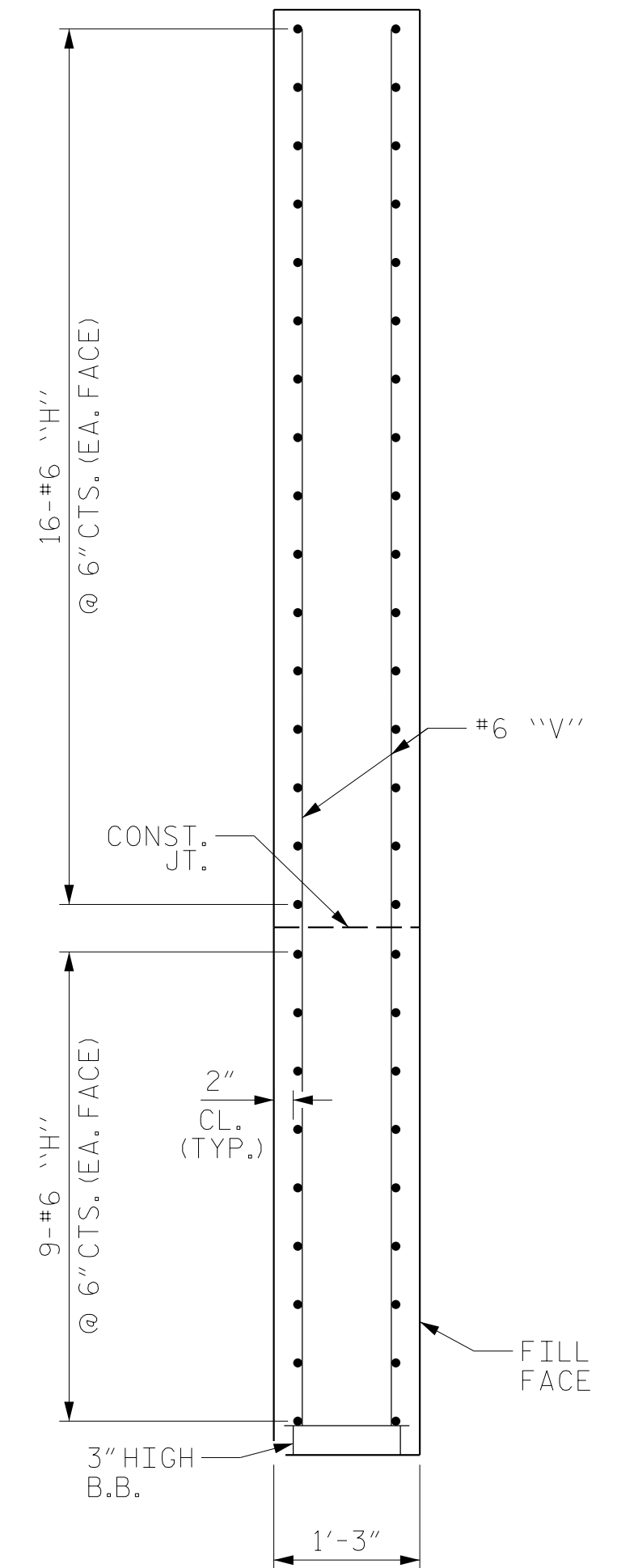


PLAN OF WING - W2



ELEVATION OF WING - W2



SECTION X-X

PROJECT NO. R-2707C
CLEVELAND COUNTY
 STATION: 384+50.00 -L-

SHEET 2 OF 4



STATE OF NORTH CAROLINA
 DEPARTMENT OF TRANSPORTATION
 RALEIGH
 SUBSTRUCTURE
 INTEGRAL
 END BENT NO. 1
 LEFT LANE

REVISIONS						SHEET NO.
NO.	BY:	DATE:	NO.	BY:	DATE:	S1-24
1			3			TOTAL SHEETS
2			4			36

DRAWN BY : MAL DATE : 11/2016
 CHECKED BY : JMR DATE : 12/2016
 DESIGN ENGINEER OF RECORD: MAL DATE : 11/2016

DOCUMENT NOT CONSIDERED
 FINAL UNLESS ALL
 SIGNATURES COMPLETED