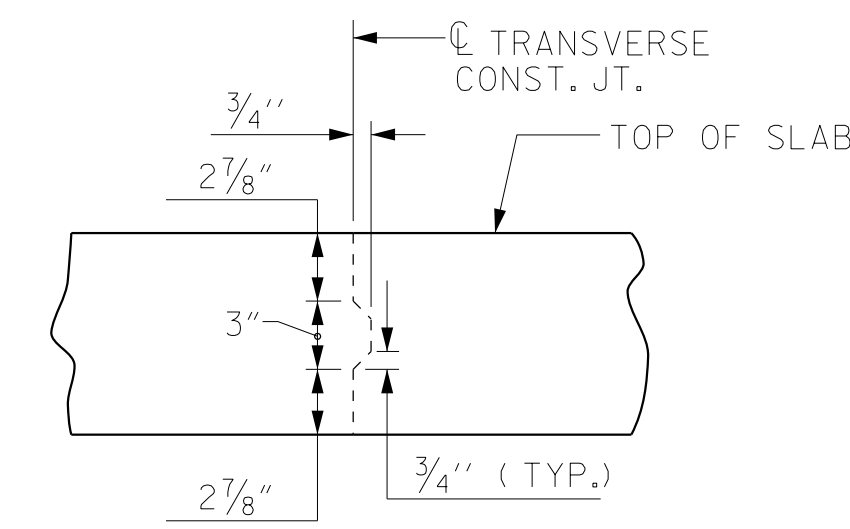


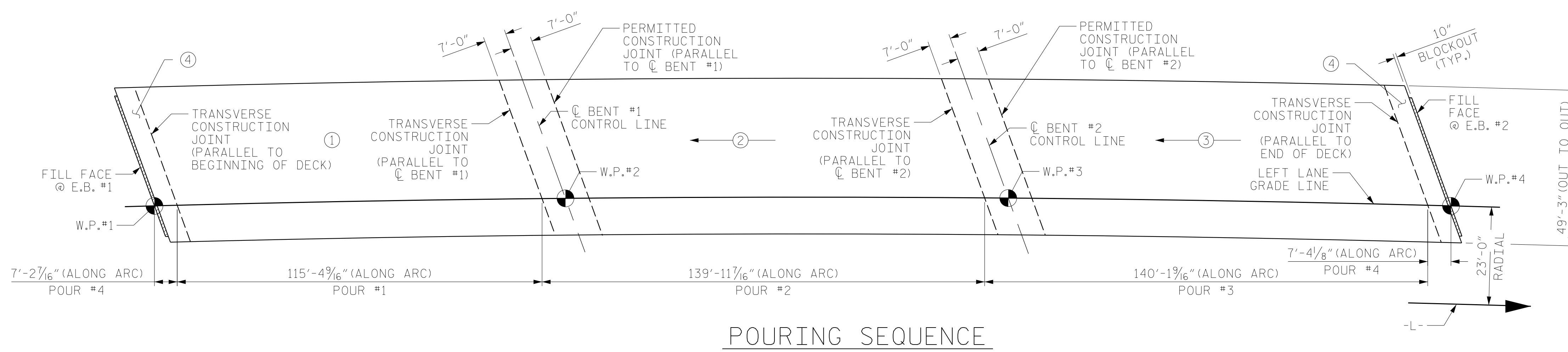
LAYOUT FOR COMPUTING
AREA OF REINFORCED CONCRETE DECK SLAB
(SQ. FT = 20,101)

NOTE: BENT & INTEGRAL END BENT DIAPHRAGMS ARE PART OF SUPERSTRUCTURE POUR.

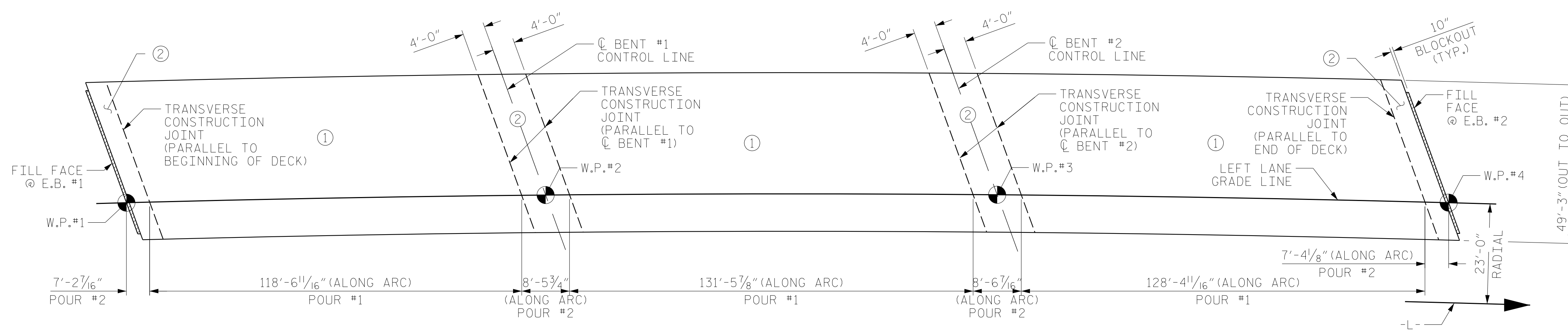


TRANSVERSE CONSTRUCTION JOINT DETAIL

NOTE: REINFORCING STEEL IN SLAB NOT SHOWN. LONGITUDINAL REINFORCING STEEL SHALL BE CONTINUOUS THRU JOINT



POURING SEQUENCE

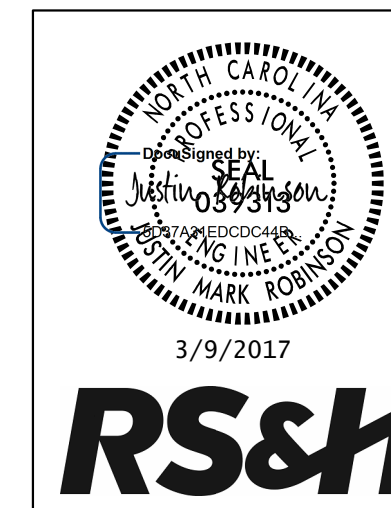


OPTIONAL POURING SEQUENCE

POUR 2 CAN NOT BE STARTED UNTIL BOTH ADJACENT ①POURS REACH A MINIMUM OF 3000 PSI

PROJECT NO. R-2707C
CLEVELAND COUNTY
STATION: 384+50.00 -L-

SHEET 2 OF 2



RS&H
RS&H Architects-Engineers-Planners, Inc.
8601 Six Forks Road, Suite 260
919-926-4100 FAX 919-846-9080
www.rsandh.com
North Carolina License No. 50737-F-0403-C-02

STATE OF NORTH CAROLINA
DEPARTMENT OF TRANSPORTATION
RALEIGH
SUPERSTRUCTURE
BILL OF MATERIAL
LEFT LANE

REVISIONS						SHEET NO.
NO.	BY:	DATE:	NO.	BY:	DATE:	S1-22
1			3			TOTAL SHEETS
2			4			36

DRAWN BY : MAL DATE : 11/2016
CHECKED BY : JMR DATE : 11/2016
DESIGN ENGINEER OF RECORD: MAL DATE : 11/2016

DOCUMENT NOT CONSIDERED FINAL UNLESS ALL SIGNATURES COMPLETED