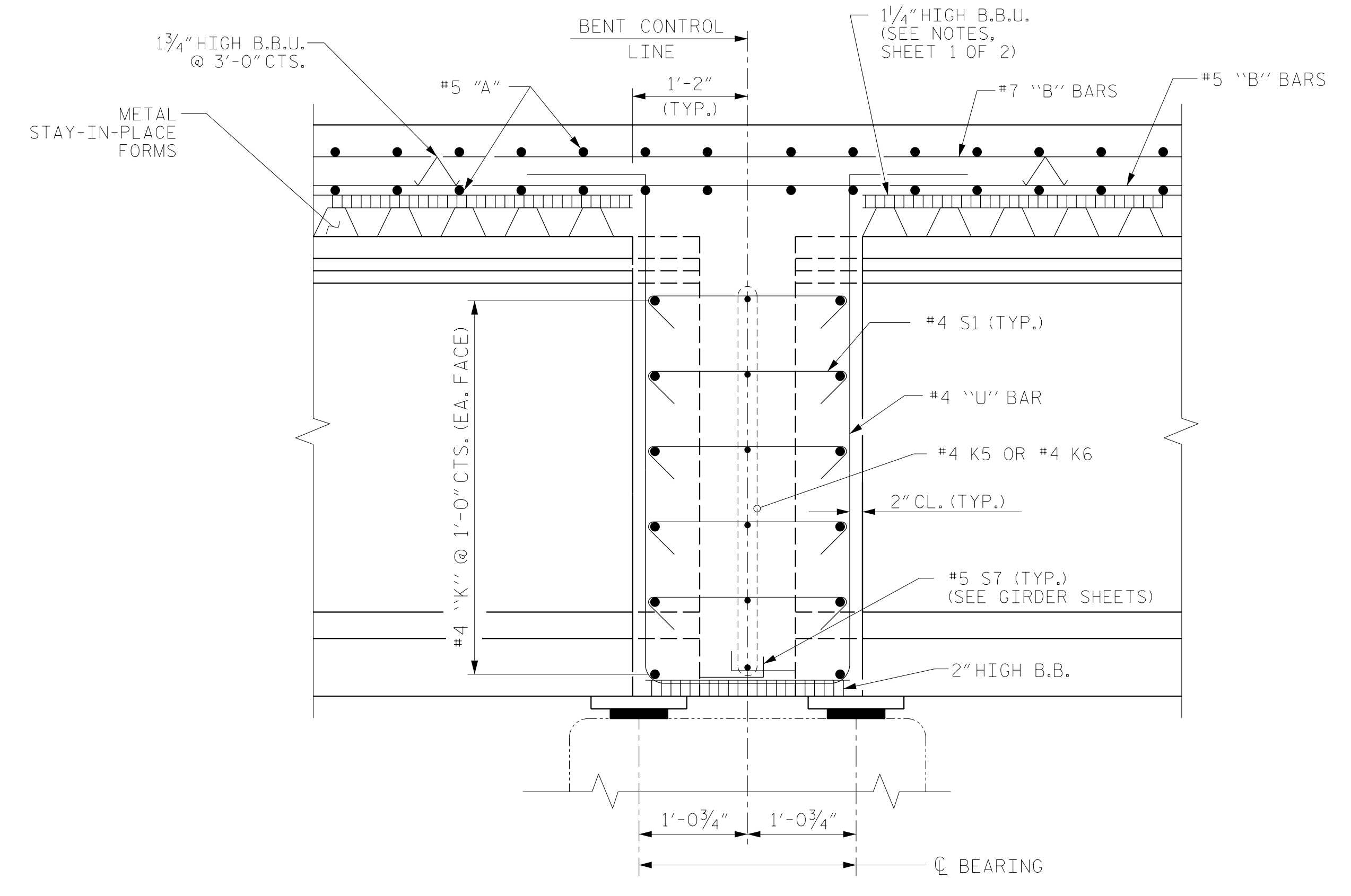
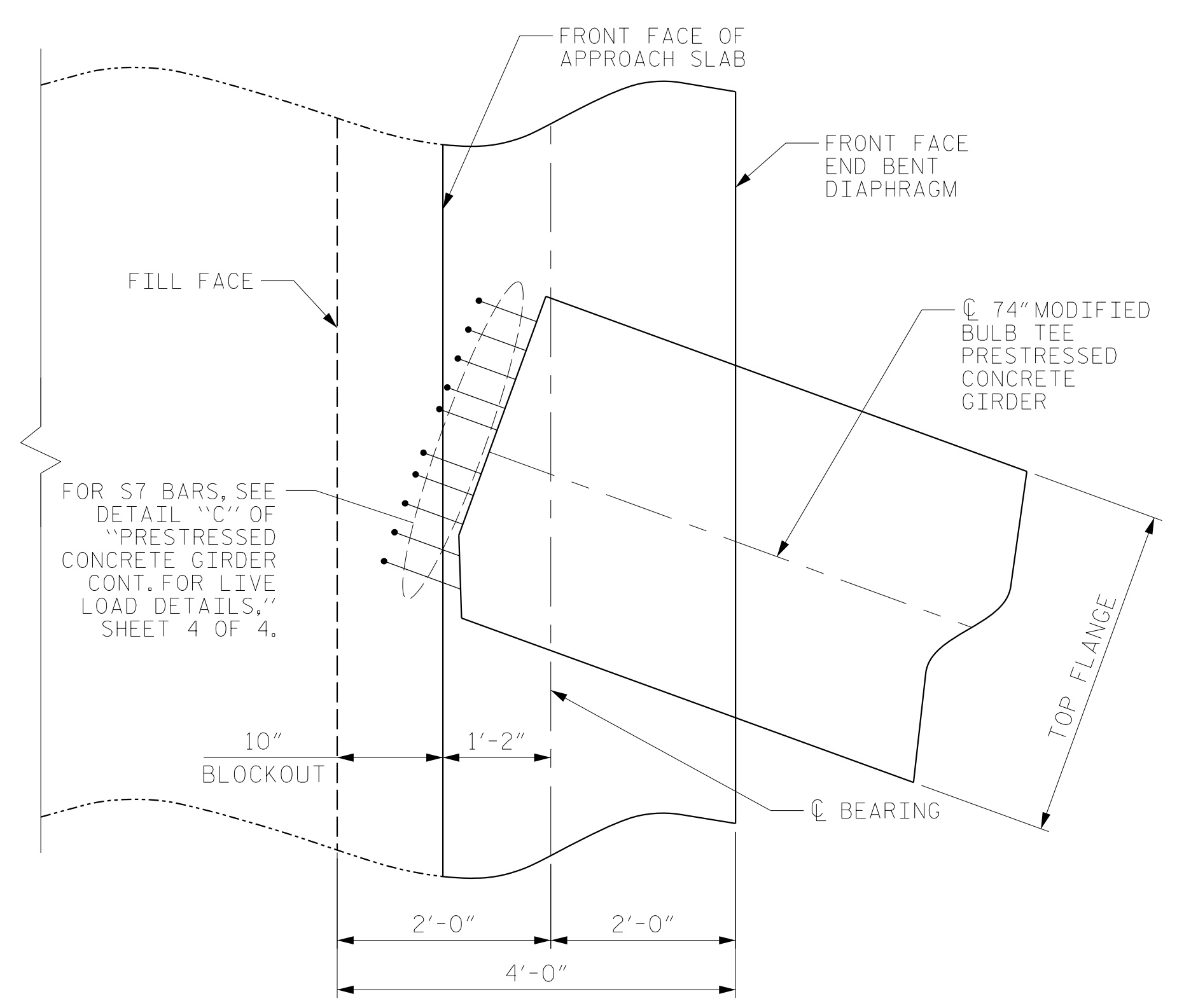


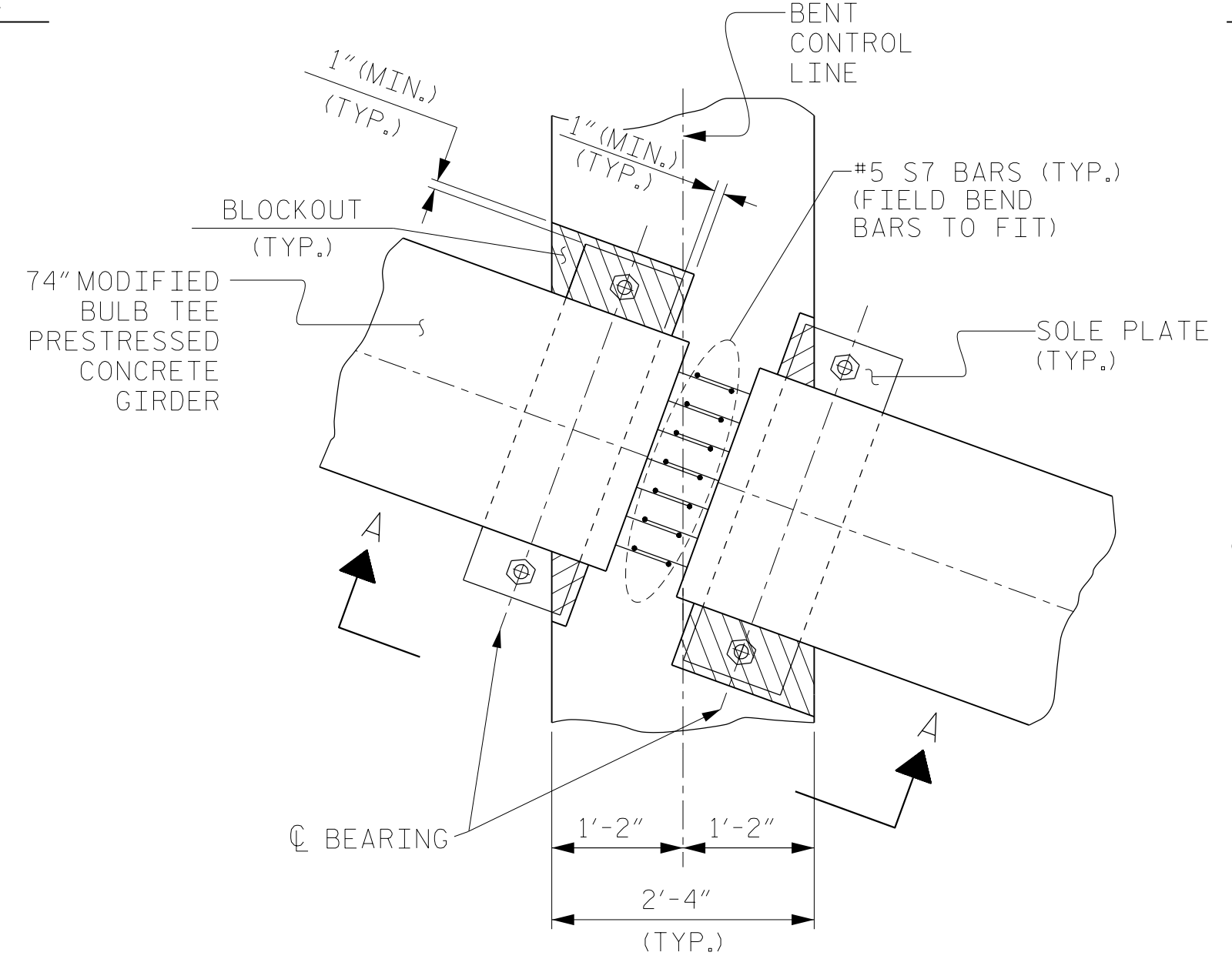
SECTION THRU INTEGRAL END BENT



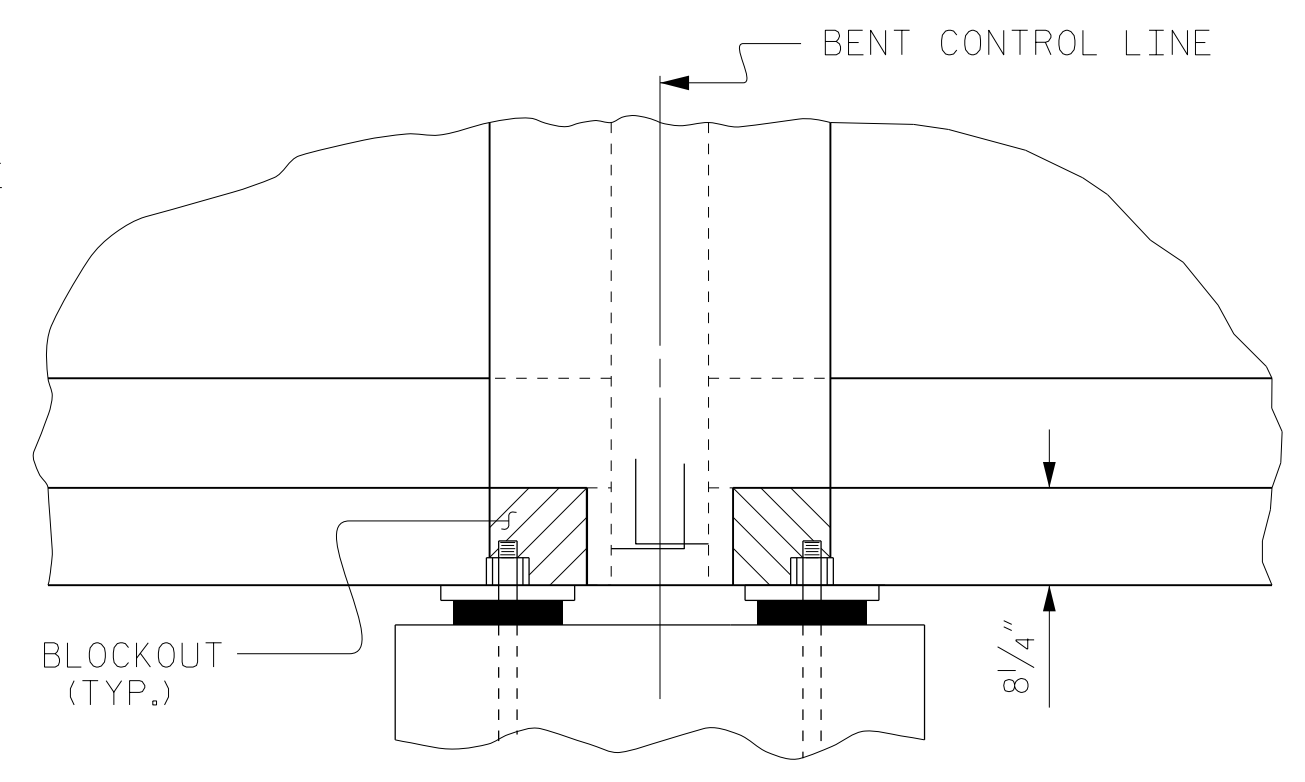
SECTION THRU CONTINUOUS BENT DIAPHRAGM



PLAN OF GIRDER @ INTEGRAL END BENT



PLAN VIEW
BENT DIAPHRAGM BLOCKOUT DETAIL



SECTION A-A

PROJECT NO. R-2707C
 CLEVELAND COUNTY
 STATION: 384+50.00 -L-
 SHEET 2 OF 2



RS&H
 RS&H Architects-Engineers-Planners, Inc.
 8601 Six Forks Road, Suite 260
 919-926-4100 FAX 919-846-9080
 www.rsandh.com
 North Carolina License No. 50737-F-0403-C-02

STATE OF NORTH CAROLINA
 DEPARTMENT OF TRANSPORTATION
 RALEIGH
 SUPERSTRUCTURE
 TYPICAL SECTION
 DETAILS
 LEFT LANE

REVISIONS						SHEET NO.
NO.	BY:	DATE:	NO.	BY:	DATE:	S1-7
1			3			TOTAL SHEETS
2			4			36

DRAWN BY : PDS DATE : 11/2016
 CHECKED BY : JMR DATE : 12/2016
 DESIGN ENGINEER OF RECORD: MAL DATE : 11/2016

DOCUMENT NOT CONSIDERED
 FINAL UNLESS ALL
 SIGNATURES COMPLETED