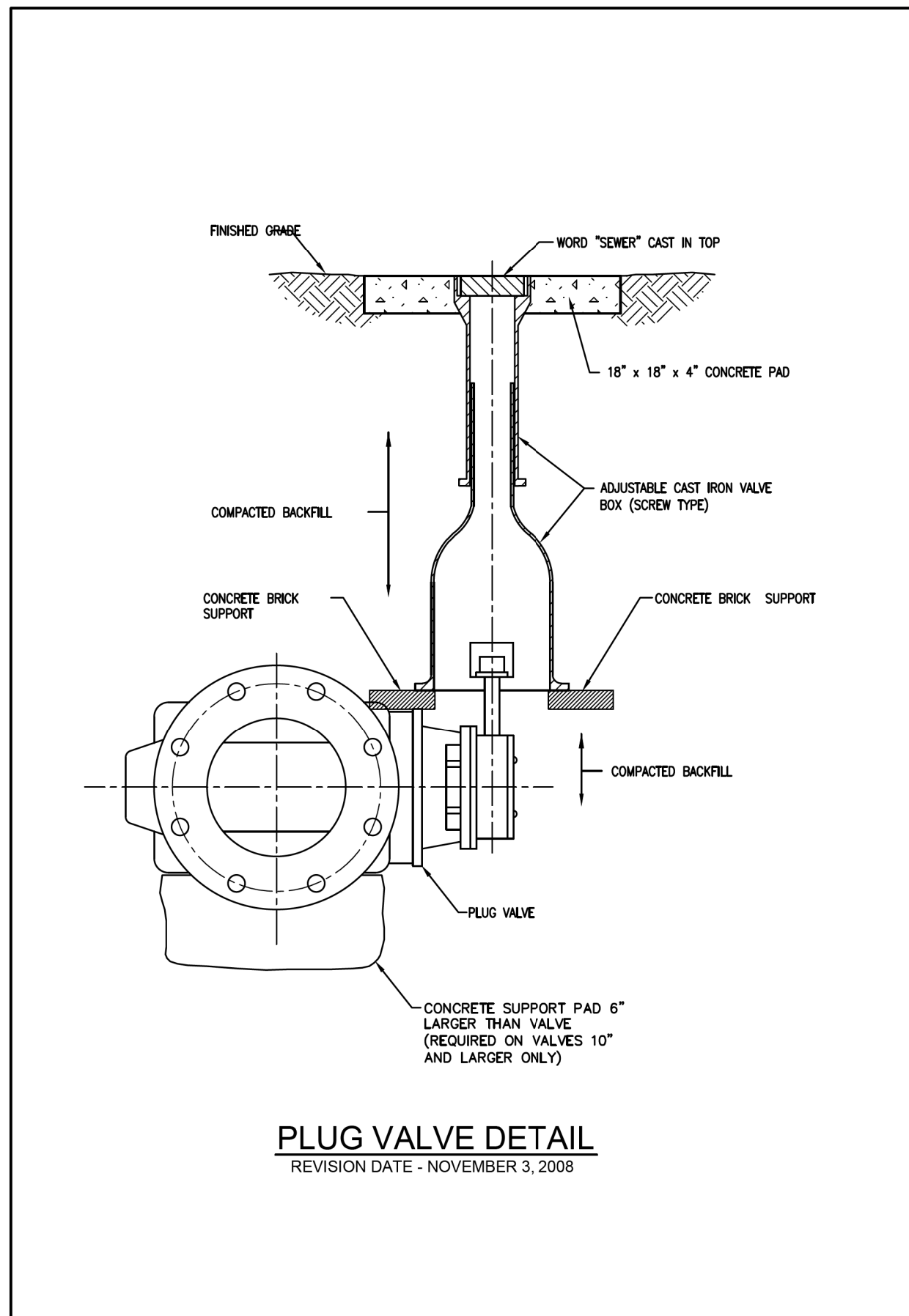


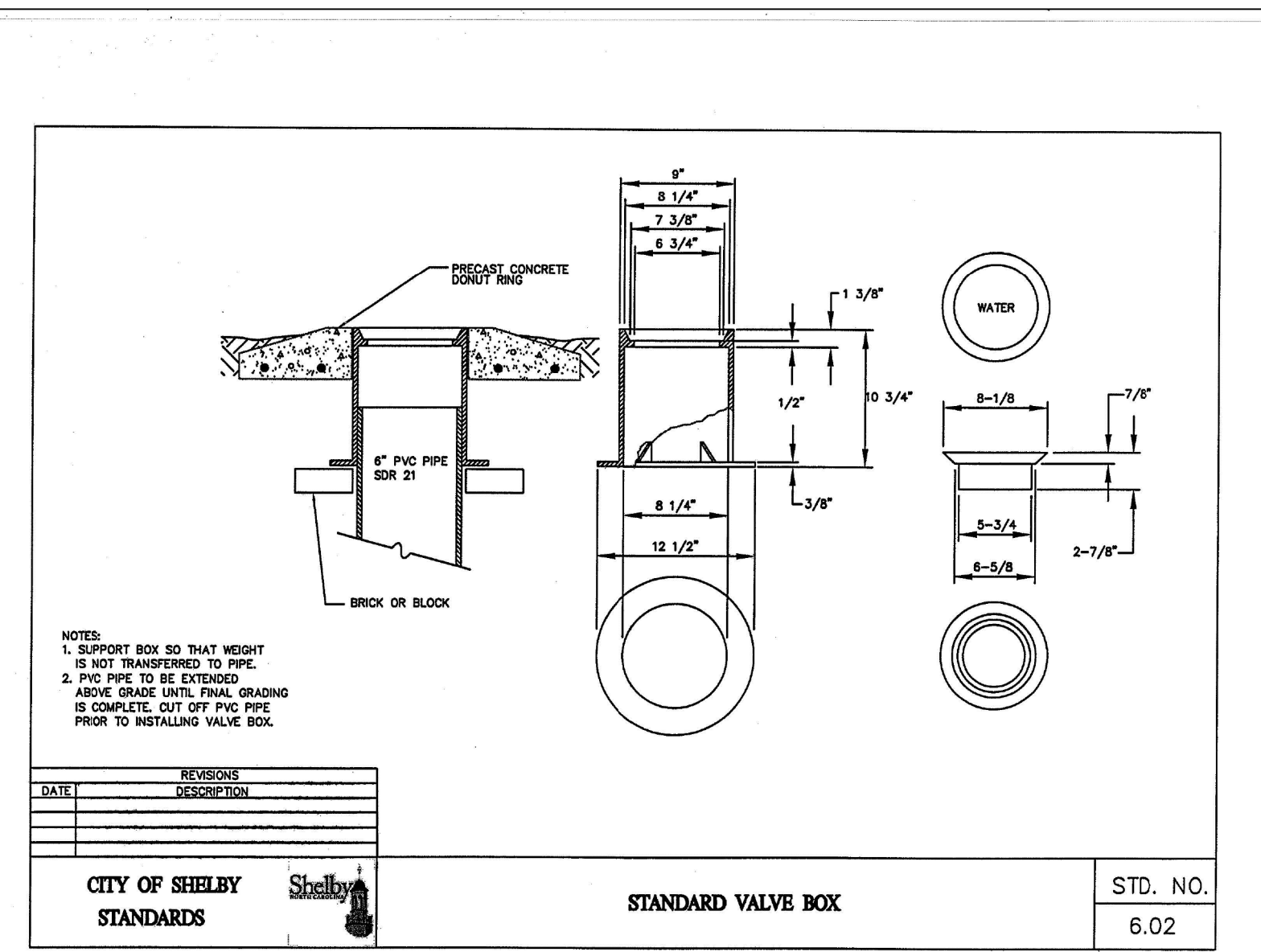
# PROJECT TYPICAL DETAILS CITY OF SHELBY

## UTILITY CONSTRUCTION

PROJECT REFERENCE NO. R-2707C	SHEET NO. UC-3D
DESIGNED BY: VW	
DRAWN BY: VW	
CHECKED BY: MJW	
APPROVED BY: MJW	
REVISED: 1/30/17	
NORTH CAROLINA DEPARTMENT OF TRANSPORTATION UTILITIES ENGINEERING SEC. PHONE: (919) 707-6690 FAX: (919) 250-4151	
UTILITY CONSTRUCTION PLANS ONLY	



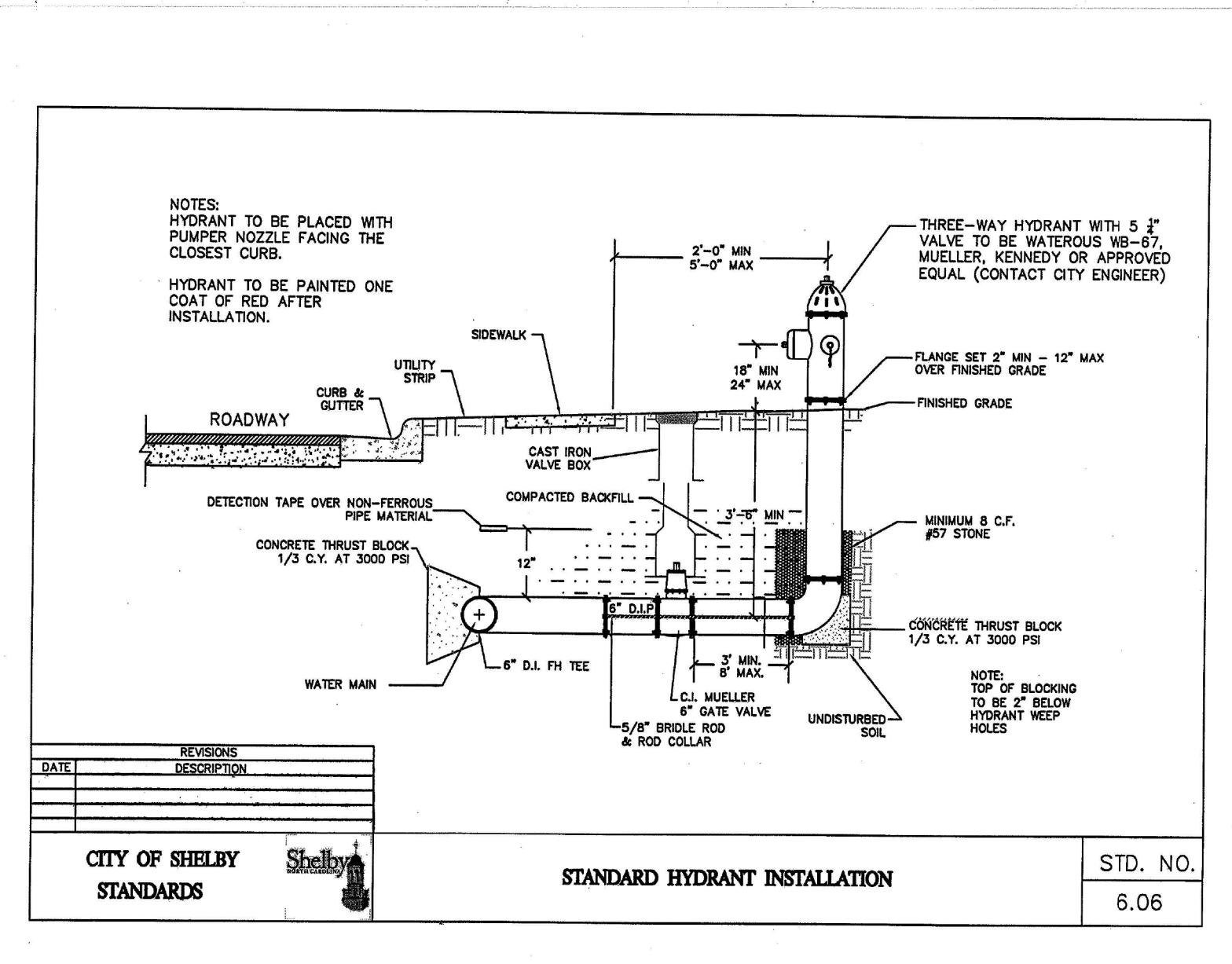
**PLUG VALVE DETAIL**  
REVISION DATE - NOVEMBER 3, 2008



NOTES:  
1. SUPPORT BOX SO THAT HEIGHT IS NOT TRANSFERRED TO PIPE.  
2. PVC PIPE TO BE EXTENDED ABOVE GRADE UNTIL FINAL GRADING IS COMPLETE. CUT OFF PVC PIPE PRIOR TO INSTALLING VALVE BOX.

REVISIONS	DATE	DESCRIPTION

**CITY OF SHELBY STANDARDS** **STANDARD VALVE BOX** **STD. NO. 6.02**



NOTES:  
HYDRANT TO BE PLACED WITH PUMPER NOZZLE FACING THE CLOSEST CURB.  
HYDRANT TO BE PAINTED ONE COAT OF RED AFTER INSTALLATION.  
THREE-WAY HYDRANT WITH 5 1/2\"/>

REVISIONS	DATE	DESCRIPTION

**CITY OF SHELBY STANDARDS** **STANDARD HYDRANT INSTALLATION** **STD. NO. 6.06**