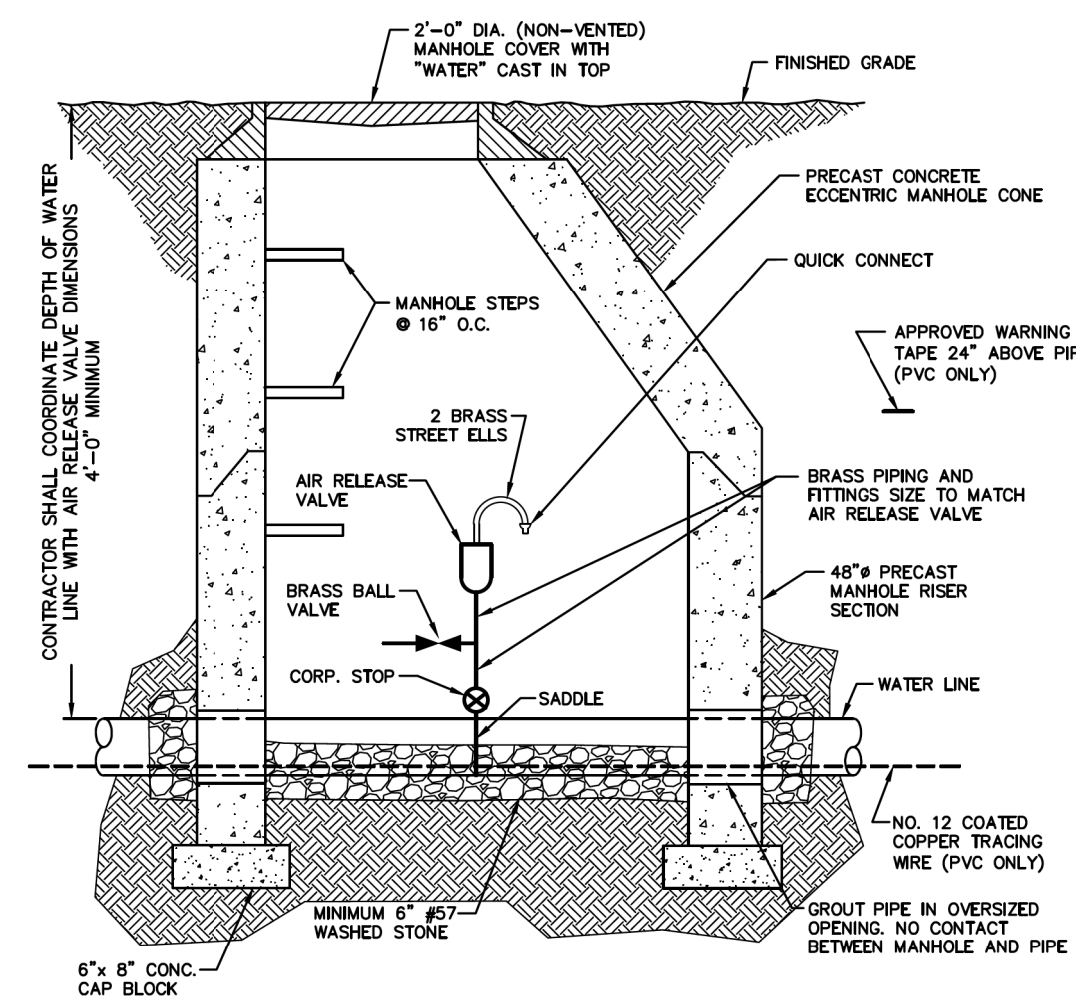


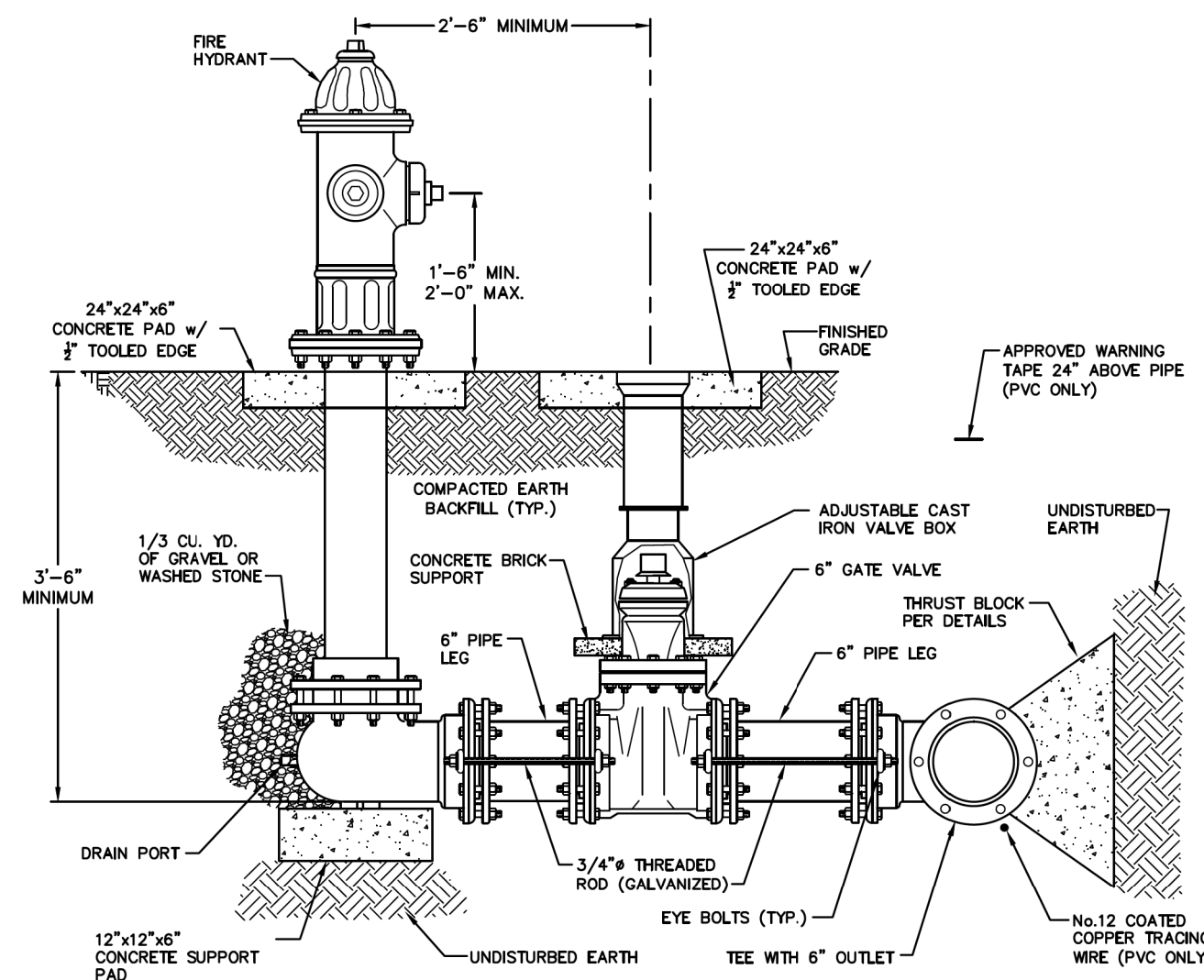
PROJECT TYPICAL DETAILS CLEVELAND COUNTY WATER

UTILITY CONSTRUCTION

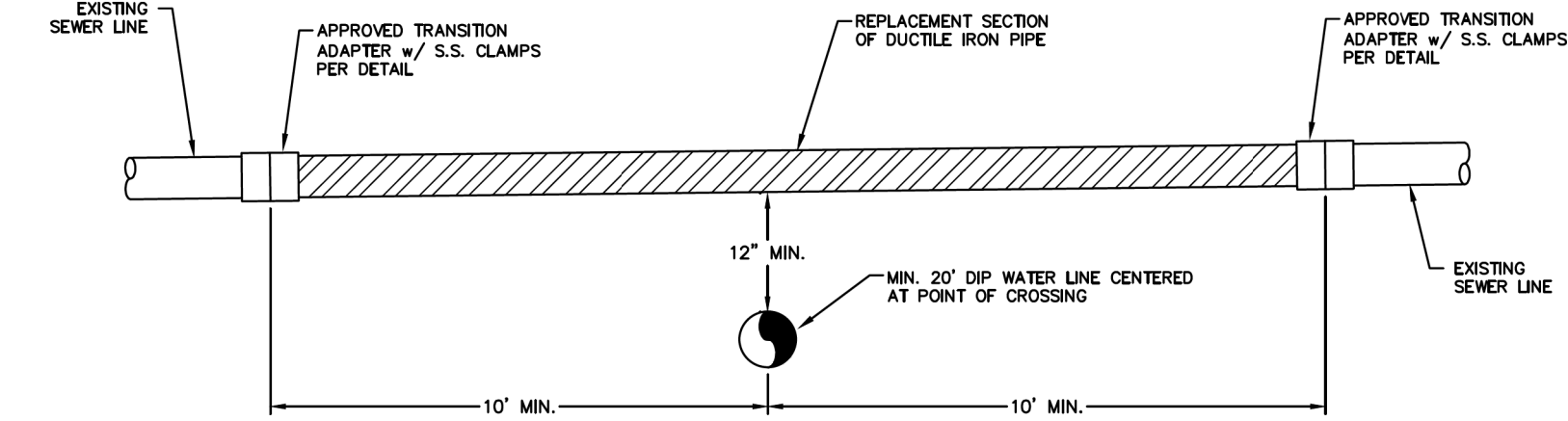
PROJECT REFERENCE NO. R-2707C	SHEET NO. UC-3B
DESIGNED BY: VW	
DRAWN BY: VW	
CHECKED BY: MJW	
APPROVED BY: MJW	
REVISED: 1/30/17	
NORTH CAROLINA DEPARTMENT OF TRANSPORTATION UTILITIES ENGINEERING SEC. PHONE: (919) 707-6690 FAX: (919) 250-4151	
UTILITY CONSTRUCTION PLANS ONLY	



AIR RELEASE VALVE INSTALLATION
MODIFIED FOR THIS PROJECT

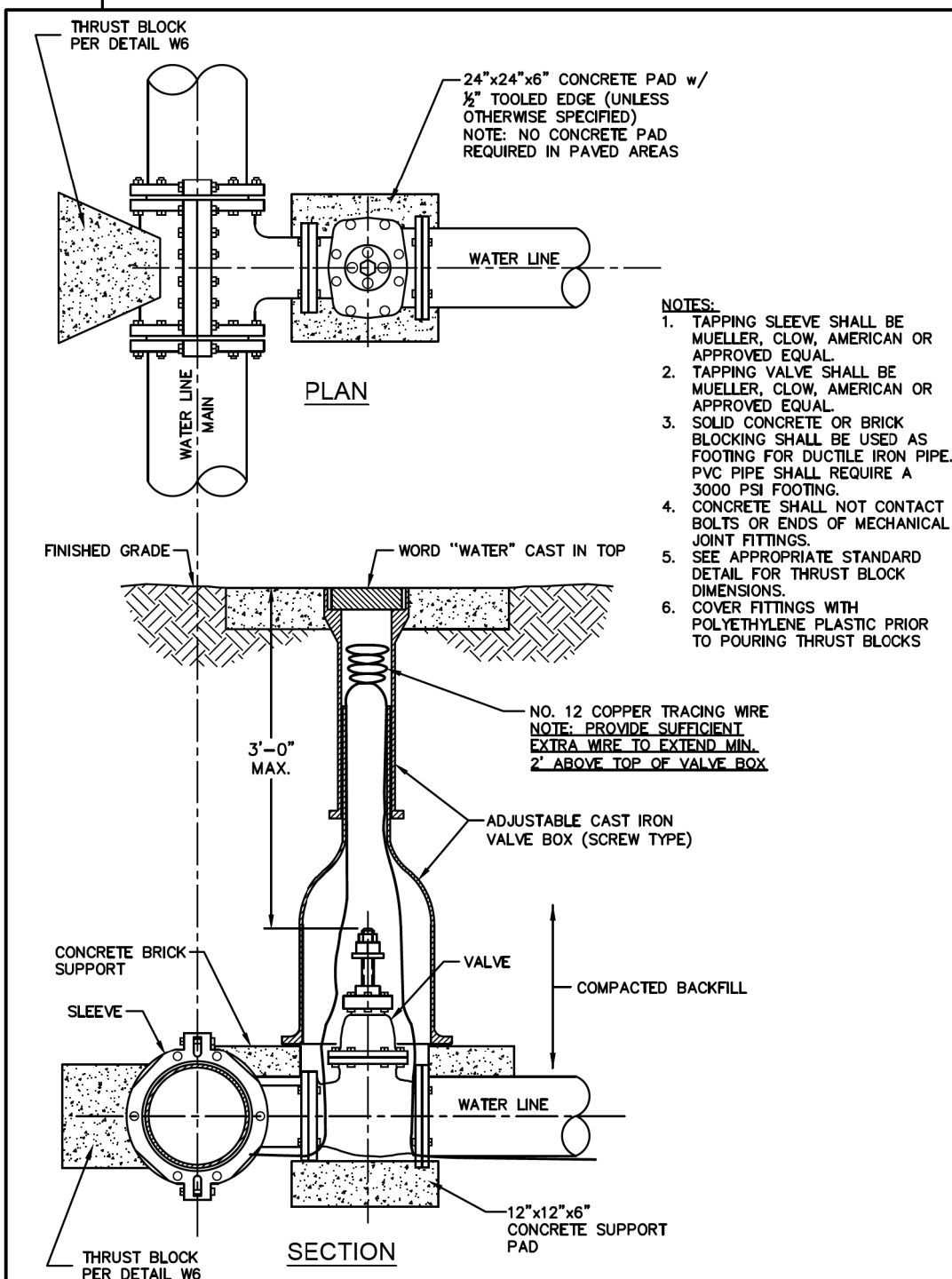


FIRE HYDRANT ASSEMBLY
MODIFIED FOR THIS PROJECT

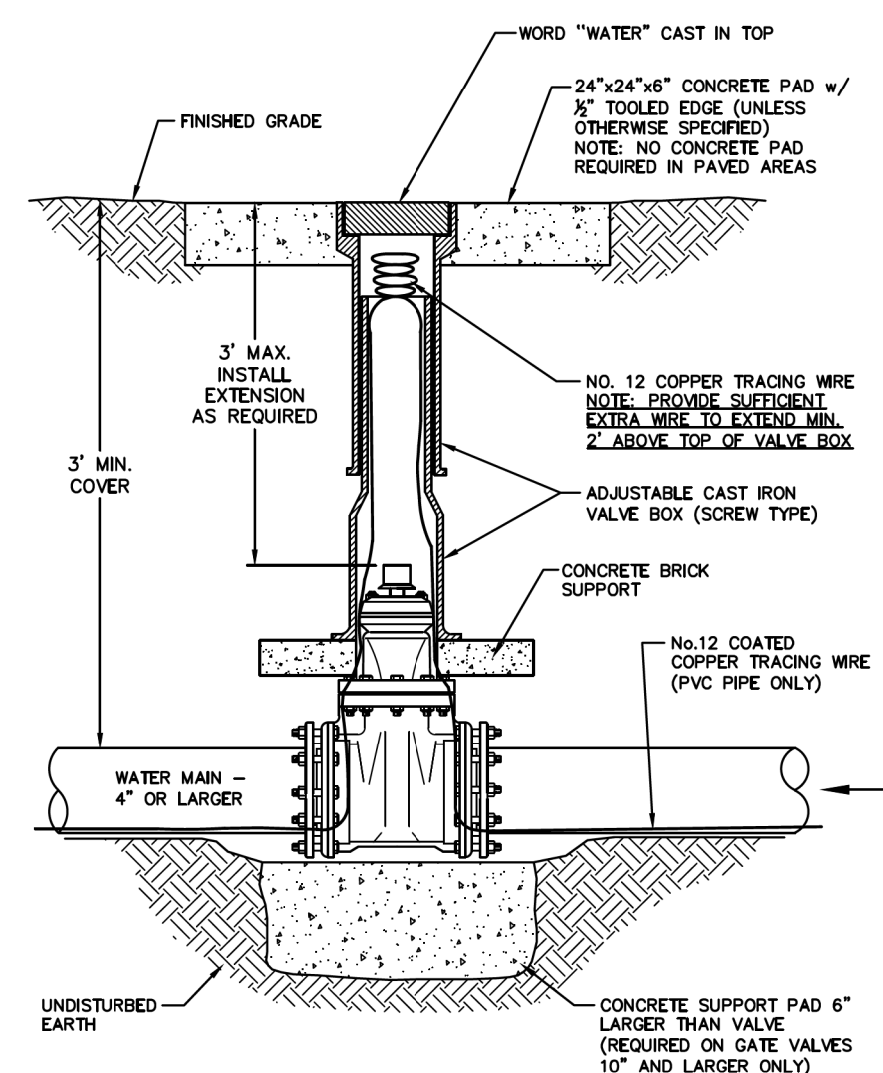


NOTE: THIS DETAIL SHALL ONLY BE USED IF WATER AND SEWER SEPARATIONS AS REQUIRED IN NOTE 8 OF THE GENERAL WATER NOTES CANNOT BE MET

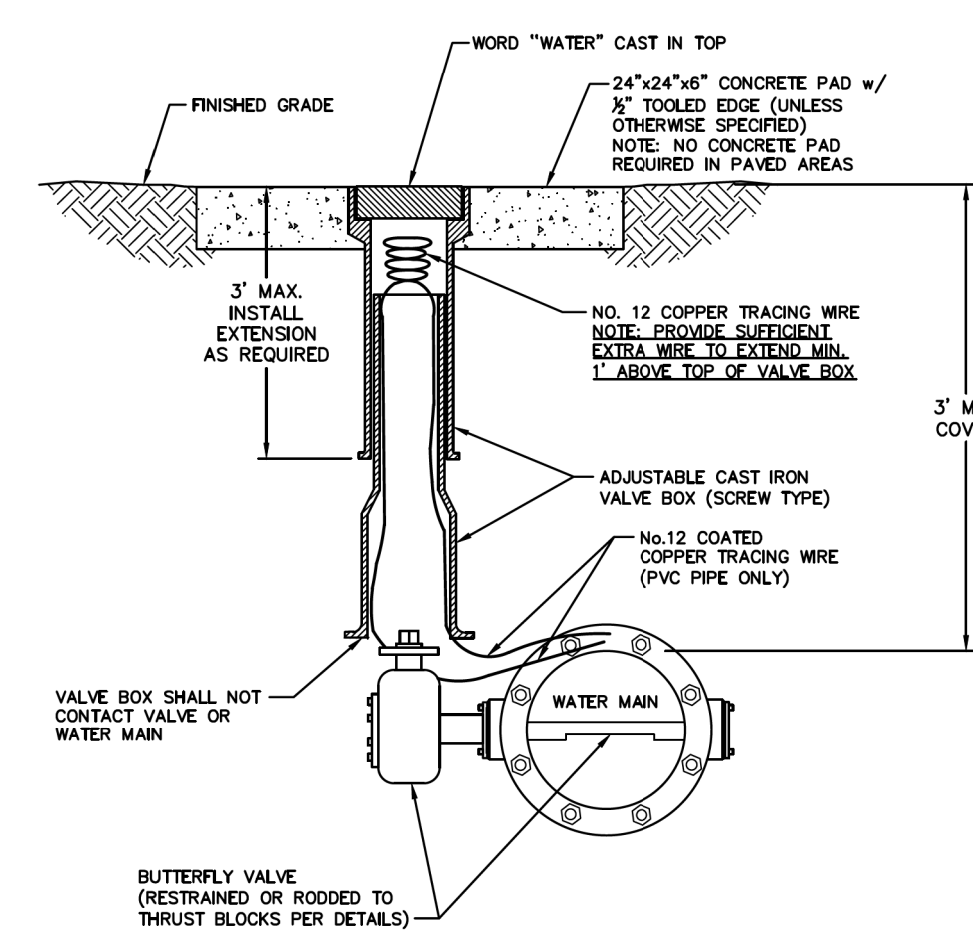
WATER AND SEWER CROSSING
MODIFIED FOR THIS PROJECT



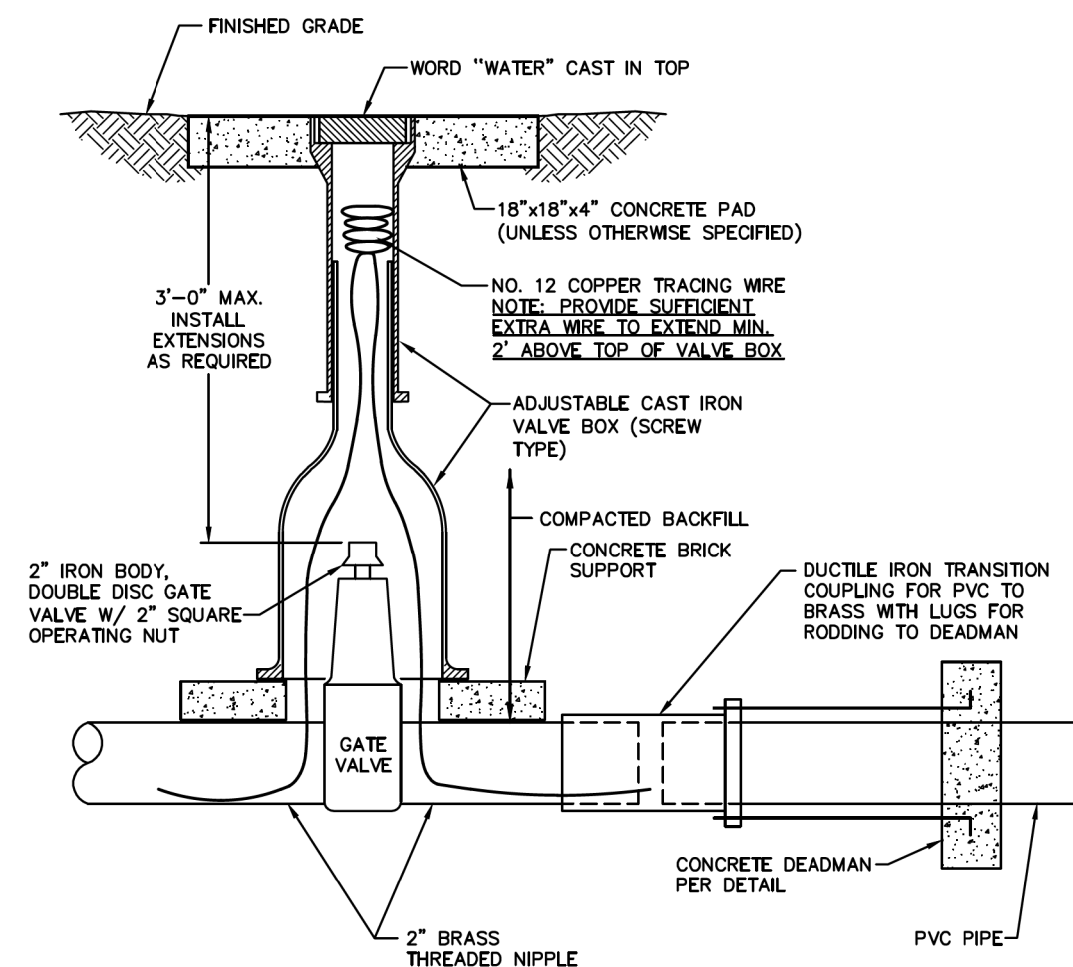
TAPPING SLEEVE AND VALVE WITH BOX
MODIFIED FOR THIS PROJECT



GATE VALVE - LARGE (6" AND LARGER)
MODIFIED FOR THIS PROJECT



BUTTERFLY VALVE
MODIFIED FOR THIS PROJECT



2" GATE VALVE INSTALLATION
REVISION DATE - JULY 21, 2010