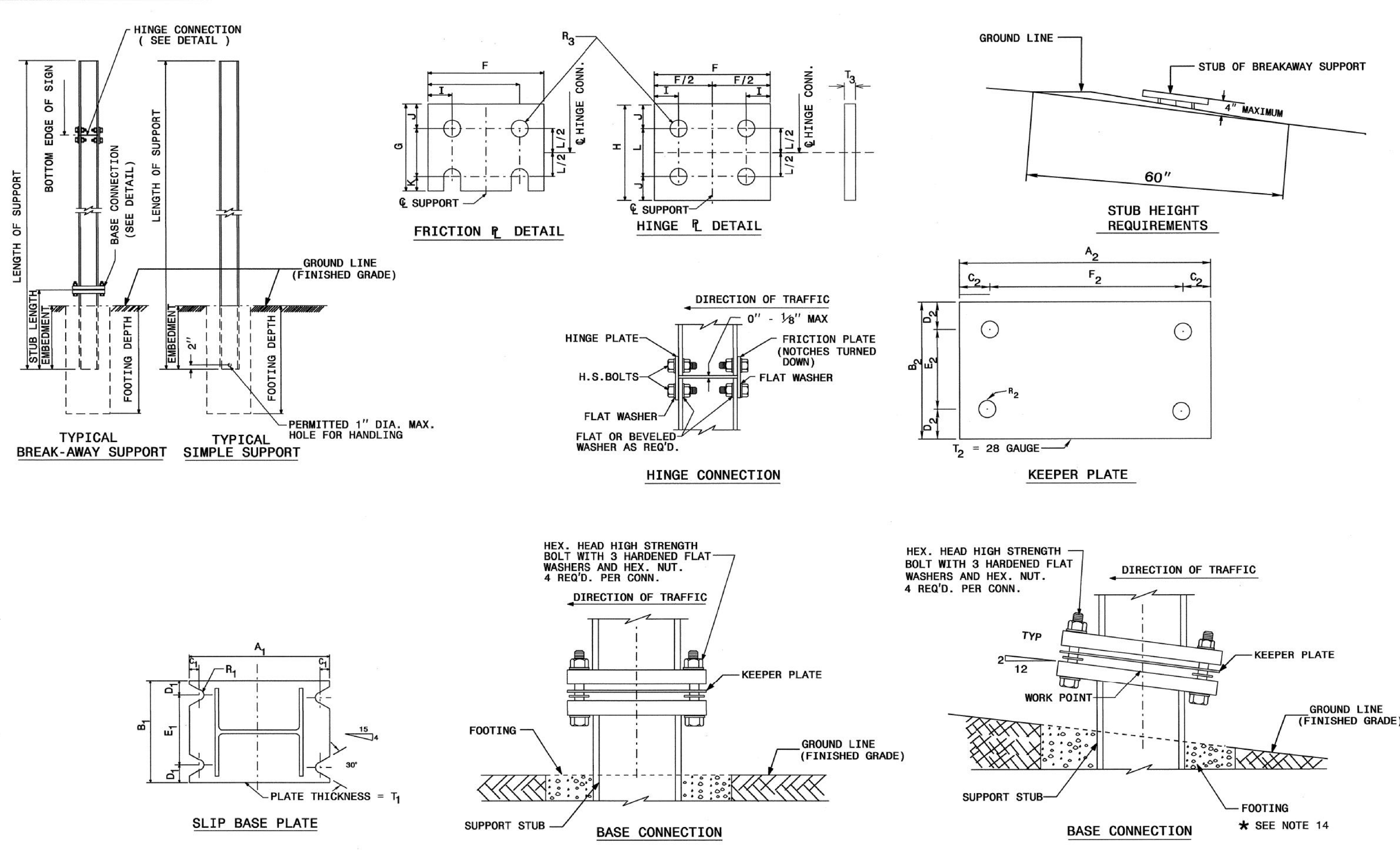


26-JUL-2013 09:37 S:\3800\Standards and Drawings\Drawings\2012 Standard Dwg\Division 9 Fina\090310_sgn_sh01.gm support_1_RevISED_7-3-13.dgn
Stokes AT 126588

STATE OF NORTH CAROLINA
DEPT. OF TRANSPORTATION
DIVISION OF HIGHWAYS
RALEIGH, N.C.

ENGLISH STANDARD DRAWING FOR
GROUND MOUNTED SIGN SUPPORTS

SHEET 1 OF 3
903D10



SEE SHEET 2 OF 3 FOR
BASE CONNECTION DATA
HINGE CONNECTION DATA
& FOUNDATION DATA.
SEE SHEET 3 OF 3 FOR
GENERAL NOTES.

STATE OF NORTH CAROLINA
DEPT. OF TRANSPORTATION
DIVISION OF HIGHWAYS
RALEIGH, N.C.

ENGLISH STANDARD DRAWING FOR
GROUND MOUNTED SIGN SUPPORTS

SHEET 1 OF 3
903D10

TIP NO. SHEET NO.

APPROVED: *[Signature]*
DATE: 7/26/13

SEAL
NORTH CAROLINA PROFESSIONAL ENGINEER
SEAL 022959
RONALD W. KING

TIP NO. SHEET NO.
R-2707C SIGN-2A

APPROVED: *[Signature]*
DATE: 2/17/2017

SEAL
NORTH CAROLINA PROFESSIONAL ENGINEER
SEAL 20675
CHARLES A. JOHNSON III

DOCUMENT NOT CONSIDERED FINAL
UNLESS ALL SIGNATURES COMPLETED

**REVISED SIGNING
ROADWAY STANDARD DRAWING**