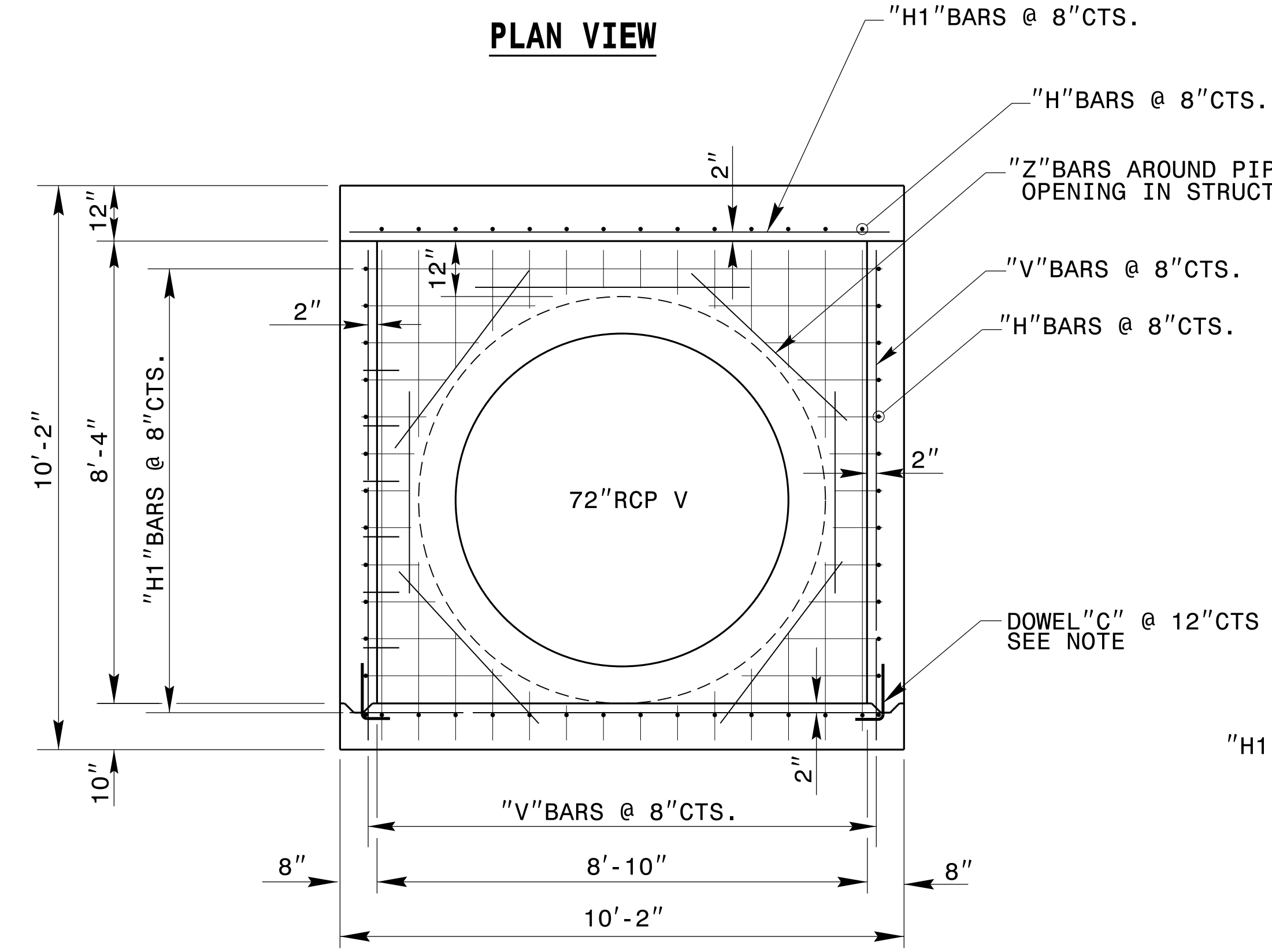


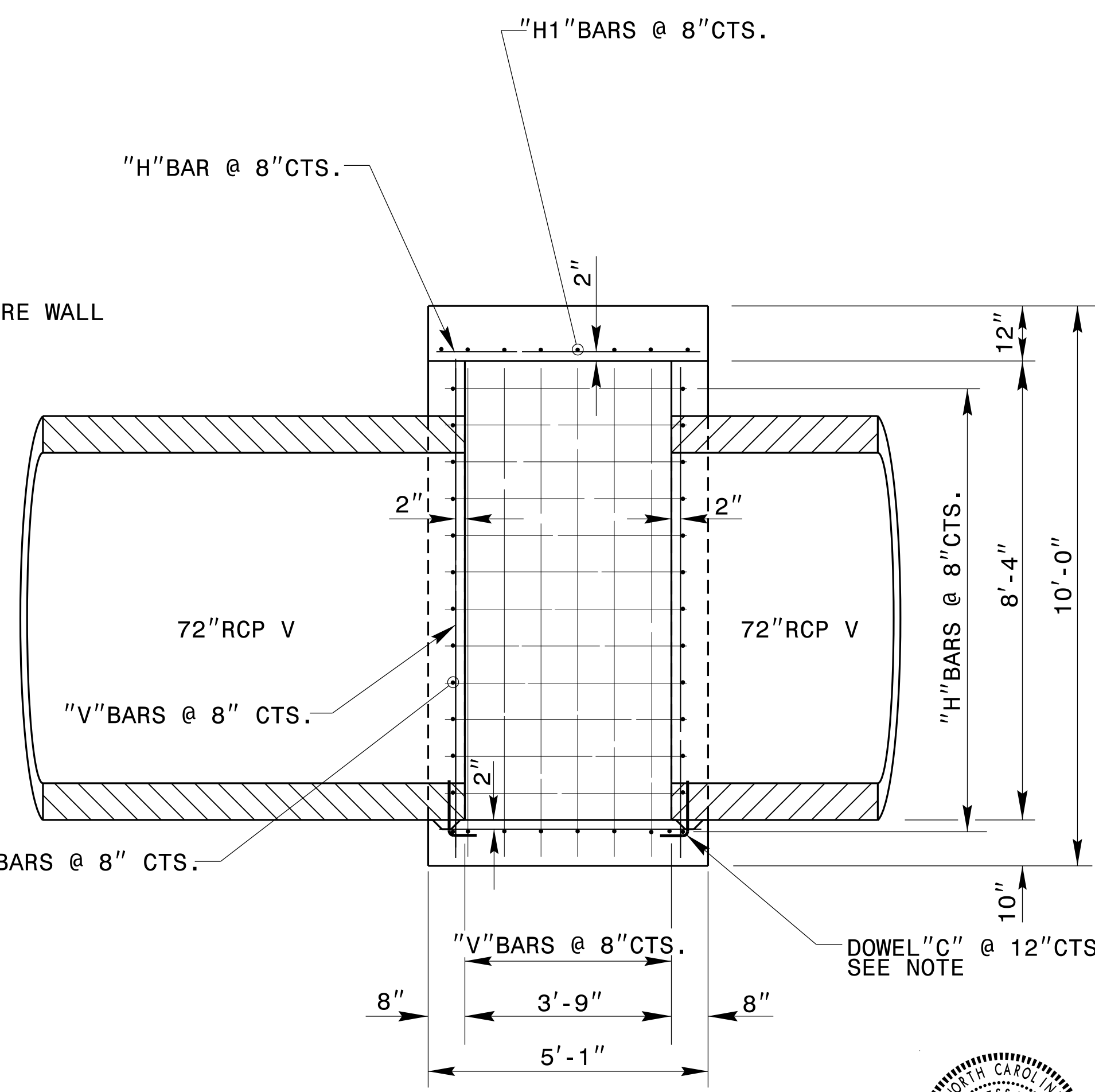
PLAN VIEW



SECTION X-X

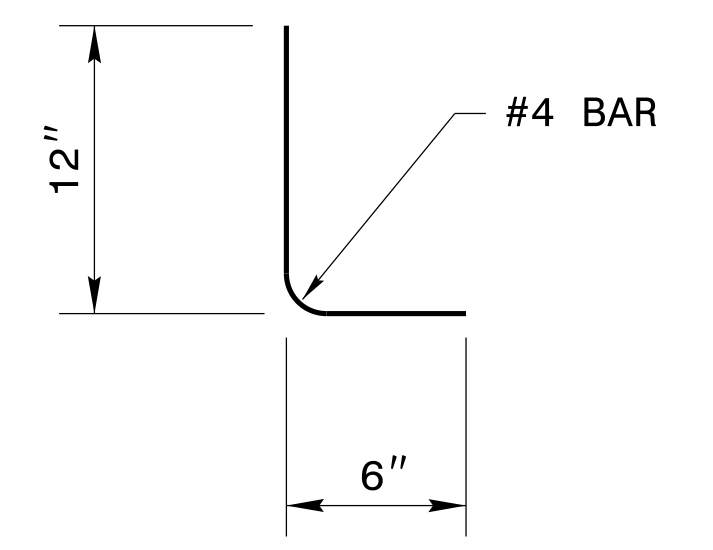
GENERAL NOTES:

- USE FORMING FOR THE CONSTRUCTION OF THE BASE SLAB.
- SEE STD. DWG. 840.00 FOR CONSTRUCTION OF BASE SLAB
- CLASS 'B' CONCRETE TO BE USED THROUGHOUT.
- CONSTRUCTION OPTIONS: MONOLITHIC POUR; 2" KEYWAY OR #4 BAR DOWELS AT 12" CENTERS AS DIRECTED BY THE ENGINEER.
- REINFORCING STEEL TO BE CUT, BENT OR RELOCATED TO POSITION PIPE AS DIRECTED BY THE ENGINEER.
- ALL EXPOSED CORNERS TO BE CHAMFERED 1".
- LOCATE MANHOLE AS DIRECTED BY THE ENGINEER.
- JUNCTION BOXES OVER 3'-6" IN DEPTH WITH MANHOLES, WILL REQUIRE STEPS TO BE PLACED ON 12" CTRS. SEE REFERENCE STD. NO. 840.66.
- MAINTAIN 2" MINIMUM CONCRETE COVERAGE ON ALL STEEL.



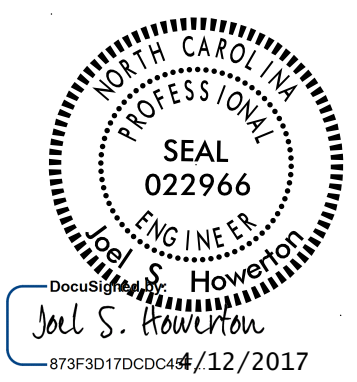
SECTION Y-Y

BILL OF MATERIAL					
CODE	BAR#	LENGTH	LBS/FT.	QTY.	LBS
H	4	4'-9"	0.668	52	165
H1	4	9'-10"	0.668	40	263
V	4	8'-10"	0.668	44	260
C	4	1'-6"	0.668	26	26
TOTAL WEIGHT STEEL					714
MASONRY QUANTITIES					
CLASS "B" CONCRETE					9.3 CU.YDS.
PIPE DEDUCTIONS					
2-72" RCP V					-2 CU.YD.
TOTAL CLASS "B" CONCRETE					9.1 CU.YDS.



DOWEL "C"

\$\$\$\$\$C:\TIME\$\$\$\$\$
\$\$\$\$\$CON\$\$\$\$\$
\$\$\$\$\$USER\$\$\$\$\$



DOCUMENT NOT CONSIDERED FINAL
UNLESS ALL SIGNATURES COMPLETED

CONTRACT STANDARDS & DEVELOPMENT UNIT
STANDARDS AND SPECIAL DESIGN
Office 919-707-6950 FAX 919-250-4119

SPECIAL JB

ORIGINAL BY: nbritt DATE: 08/18/11
 MODIFIED BY: nbritt DATE: 02/06/17
 CHECKED BY: jhowerton DATE: 02/06/17
 FILE SPEC.: details/nbritt/english/interstate/i2304ad JB.dgn