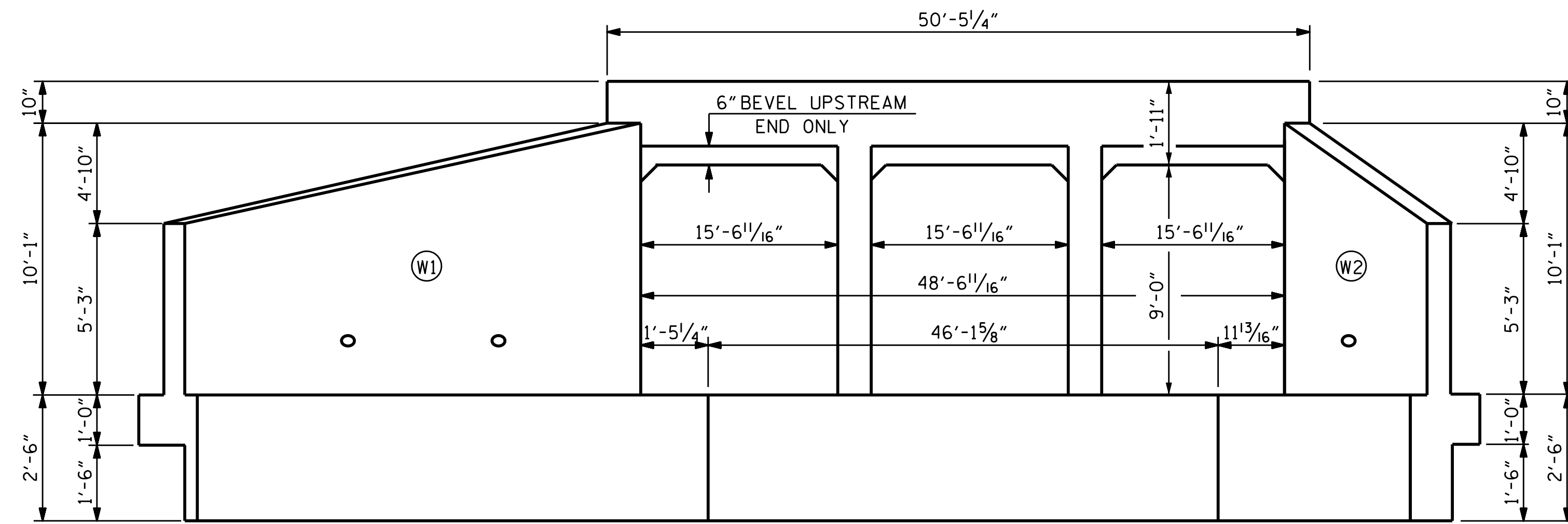
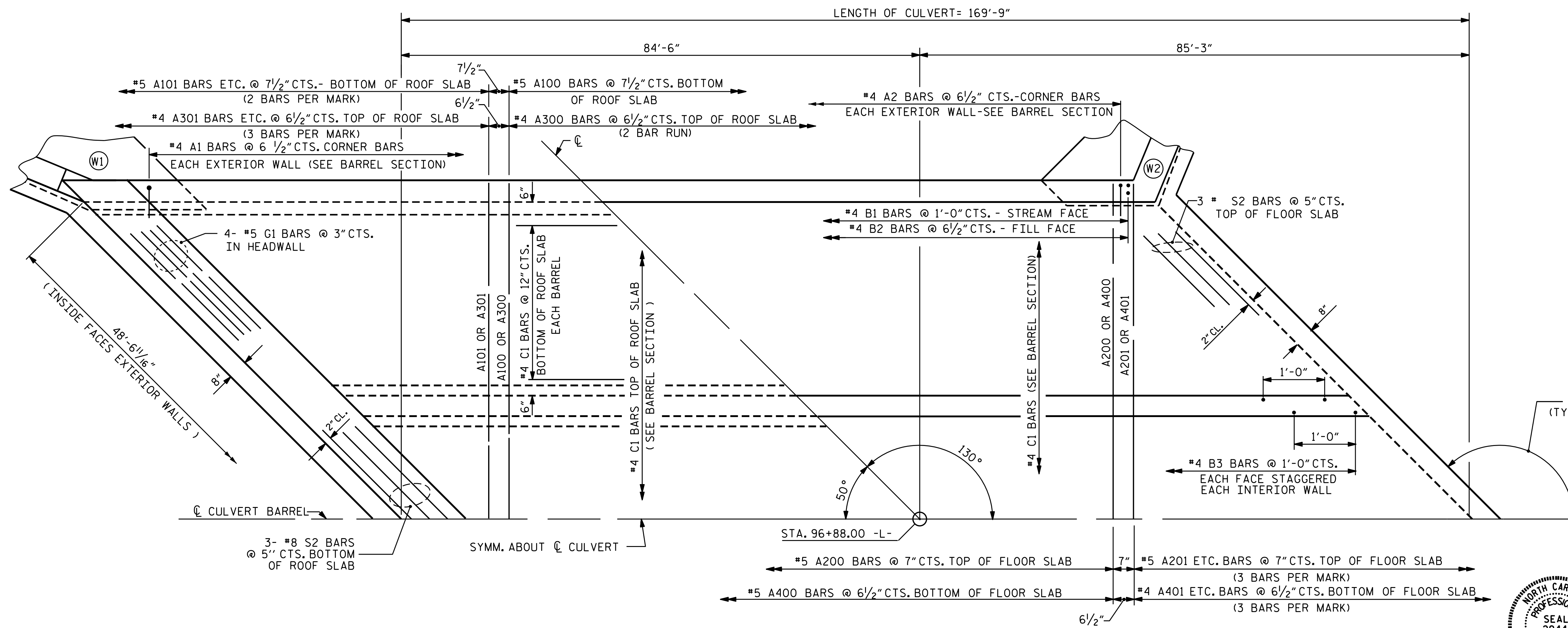


INTERIOR WALL  
 EXTERIOR WALL  
CULVERT SECTION NORMAL TO ROADWAY



INLET END ELEVATION NORMAL TO SKEW



PART PLAN - ROOF SLAB

PART PLAN - FLOOR SLAB

I HEREBY CERTIFY THESE PLANS  
 ARE THE AS-BUILT PLANS

PROJECT NO. U-3109A  
ALAMANCE COUNTY  
 STATION: 96+88.00 -L-

SHEET 2 OF 5



STATE OF NORTH CAROLINA  
 DEPARTMENT OF TRANSPORTATION  
 RALEIGH  
 TRIPLE 11 FT. X 9 FT.  
 CONCRETE BOX CULVERT  
 130° SKEW

REVISED 11-19-99 BY M.M. CHECKED BY R.W.W.  
 REDRAWN NOV.1990 BY D.P.D. CHECKED BY M.A.J.

ASSEMBLED BY : <u>A. SORSENGINH</u> DATE : <u>4/2014</u>	<b>SPECIAL</b>
CHECKED BY : <u>S. B. WILLIAMS</u> DATE : <u>4/2014</u>	
DRAWN BY : <u>H. A. JUDEH</u> DATE : <u>4/12/72</u>	<b>STANDARD</b>
CHECKED BY : <u>RALPH D. UNDERWOOD</u> DATE : <u>APR. 1972</u>	

DOCUMENT NOT CONSIDERED FINAL  
 UNLESS ALL SIGNATURES COMPLETED

REVISIONS						SHEET NO.
NO.	BY:	DATE:	NO.	BY:	DATE:	C1-2
1			3			TOTAL SHEETS
2			4			5