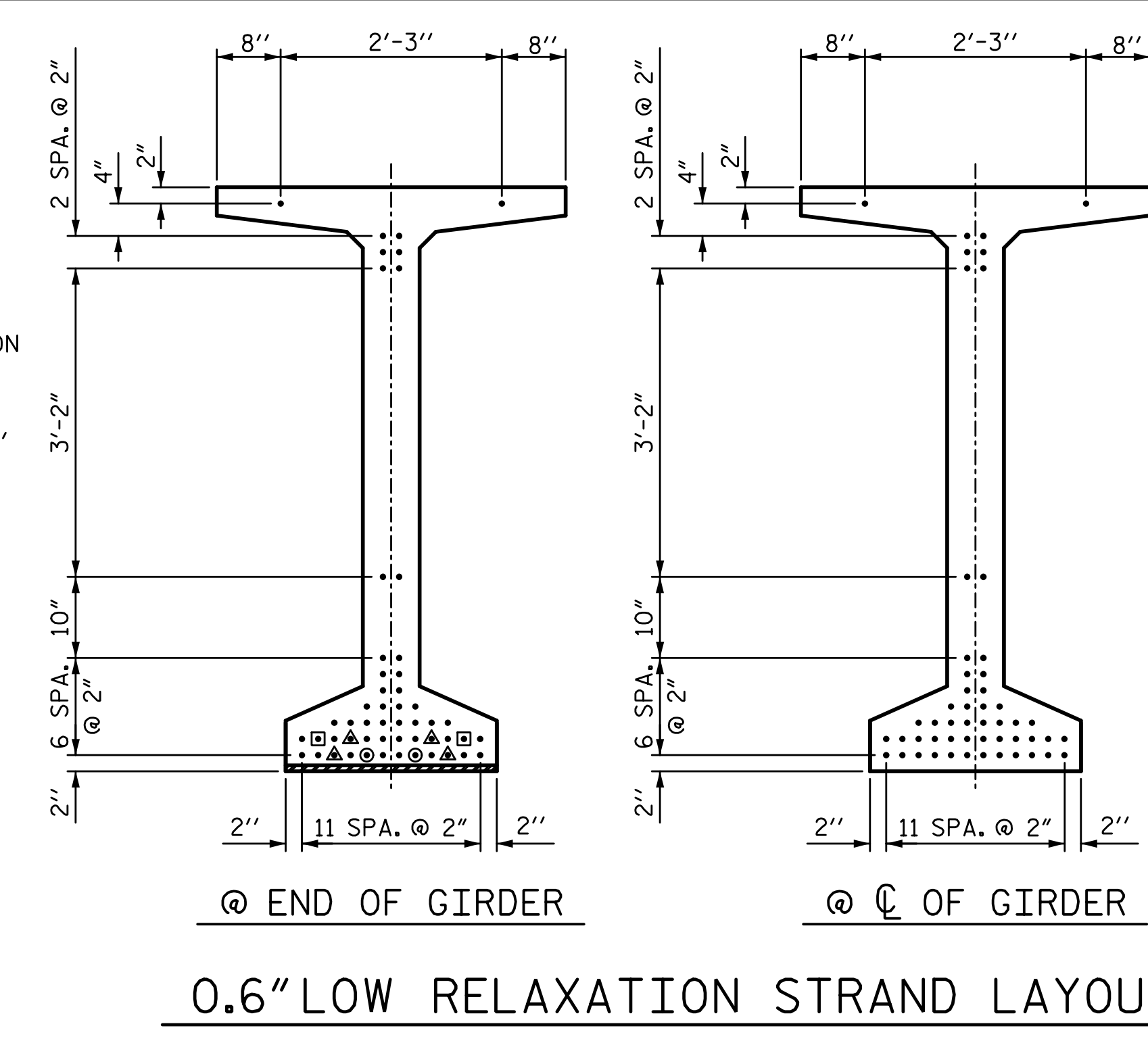
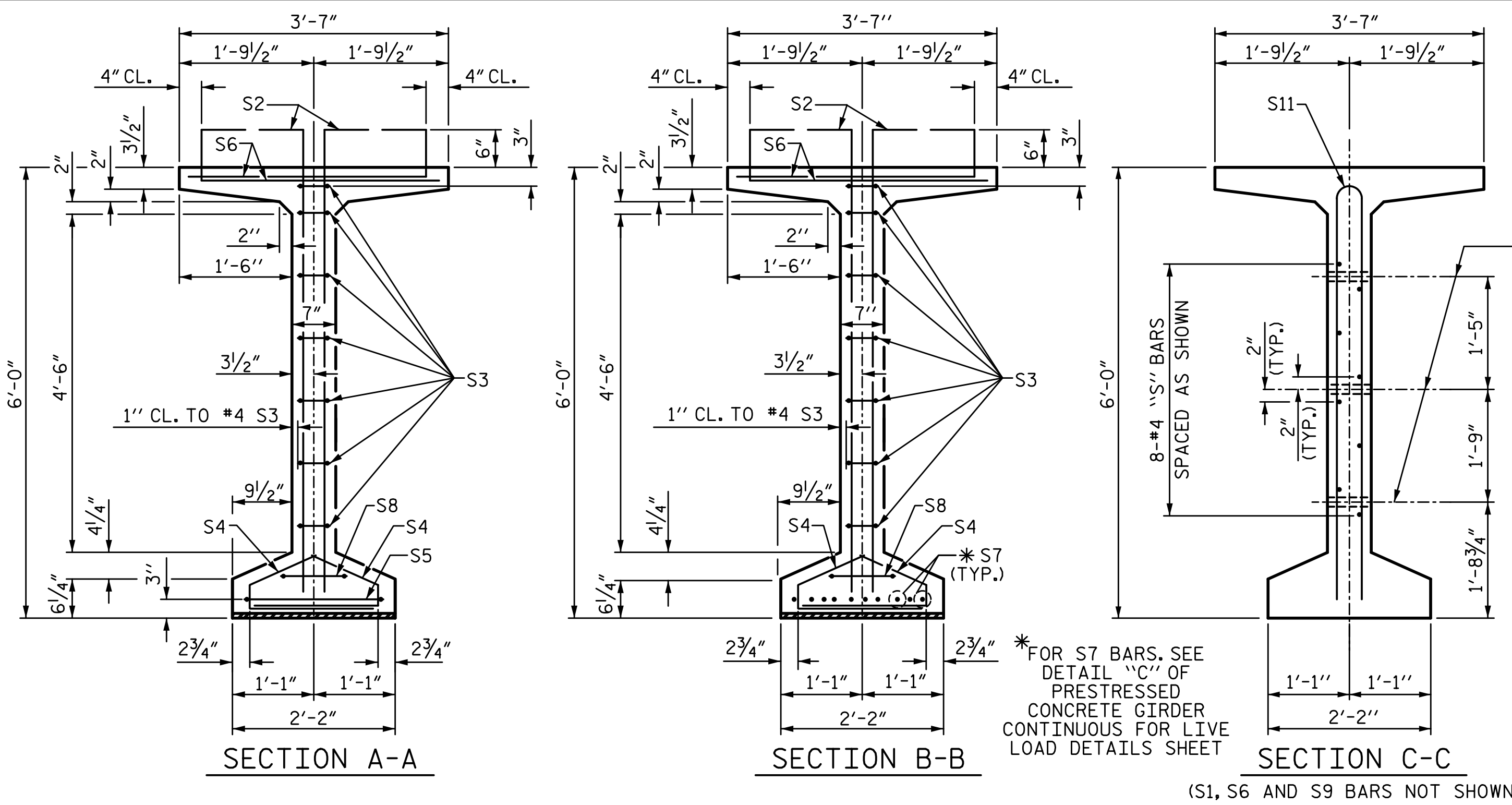


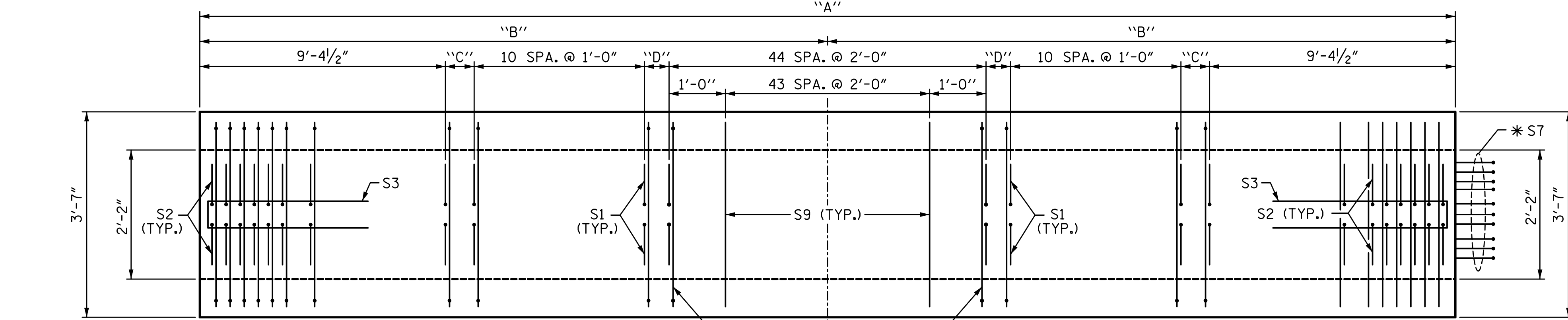
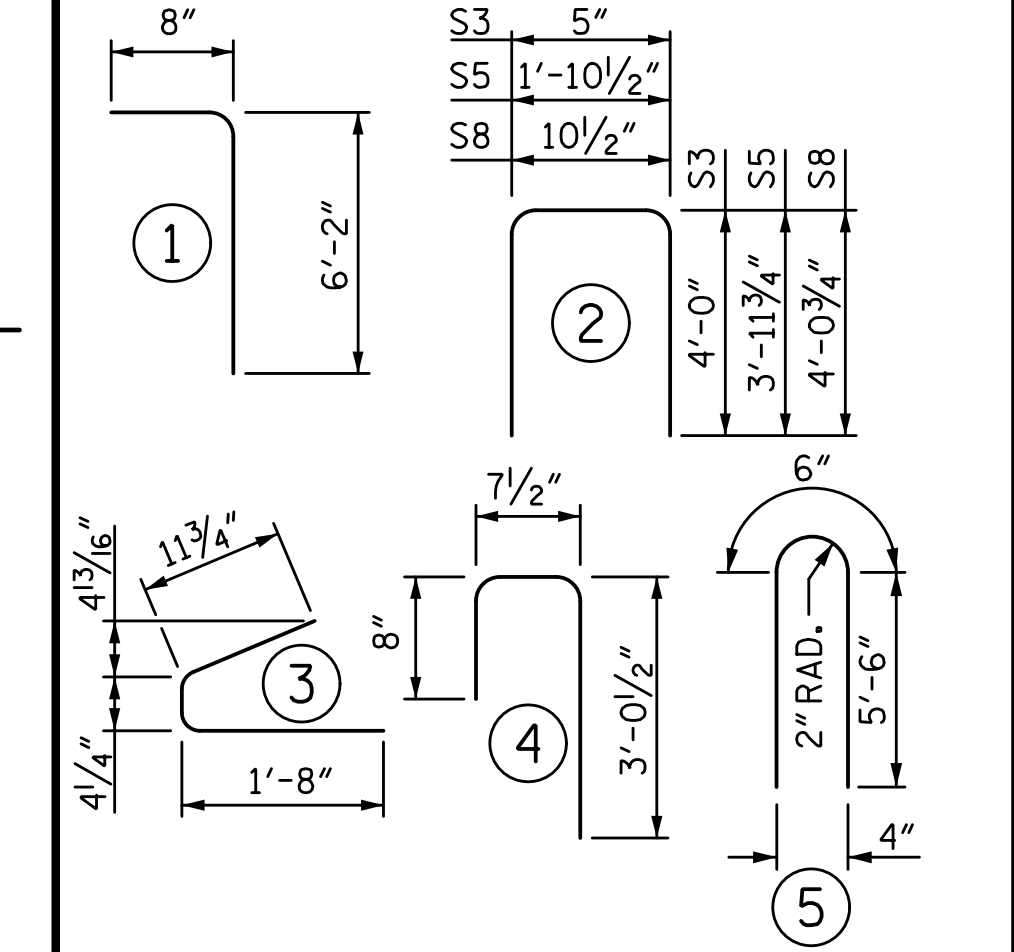
1/6/2017 8:11:09 AM G:\Projects\2014\U-3109A\Structures\Site 2\Site 2-Str 3 Bridge 435 (NBL)\Drawings\Final\403_U3109A_smu.pcg.dgn



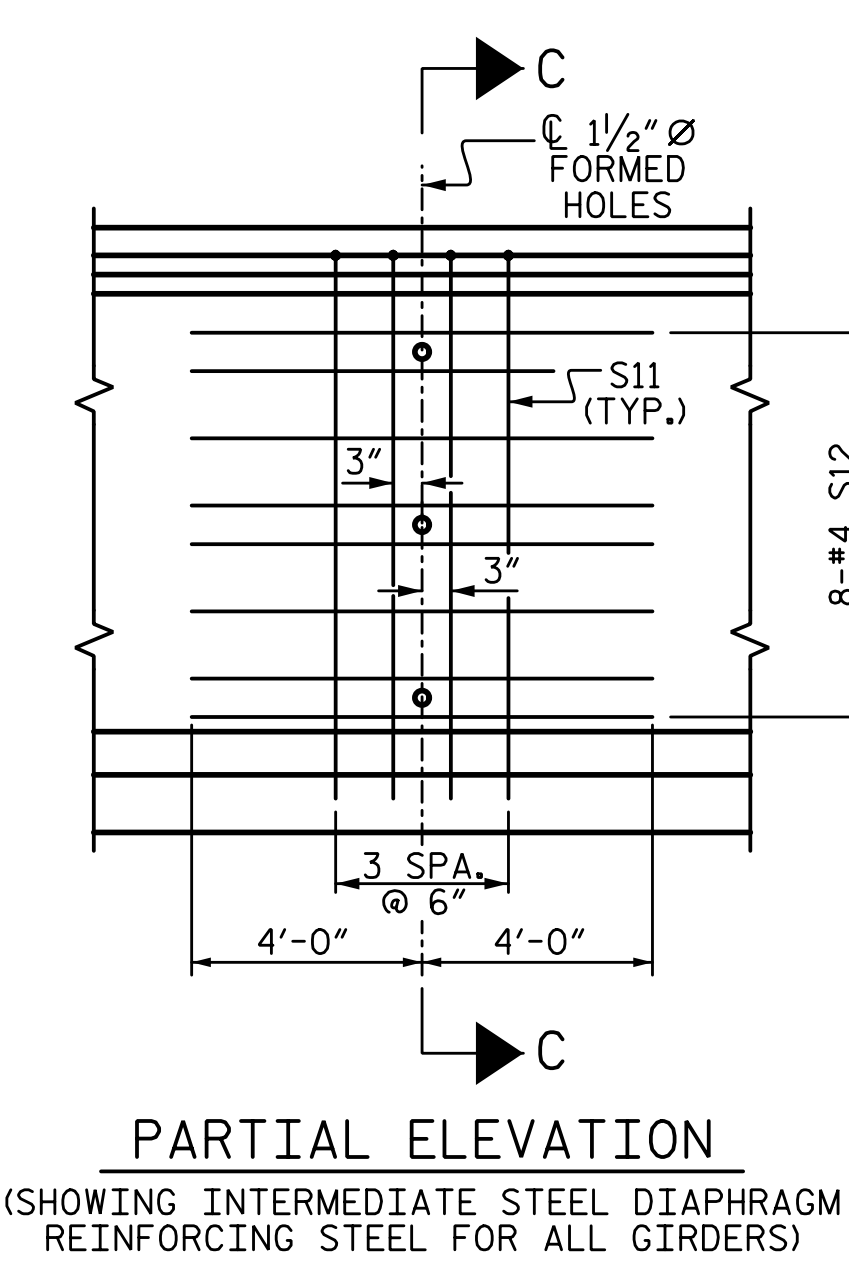
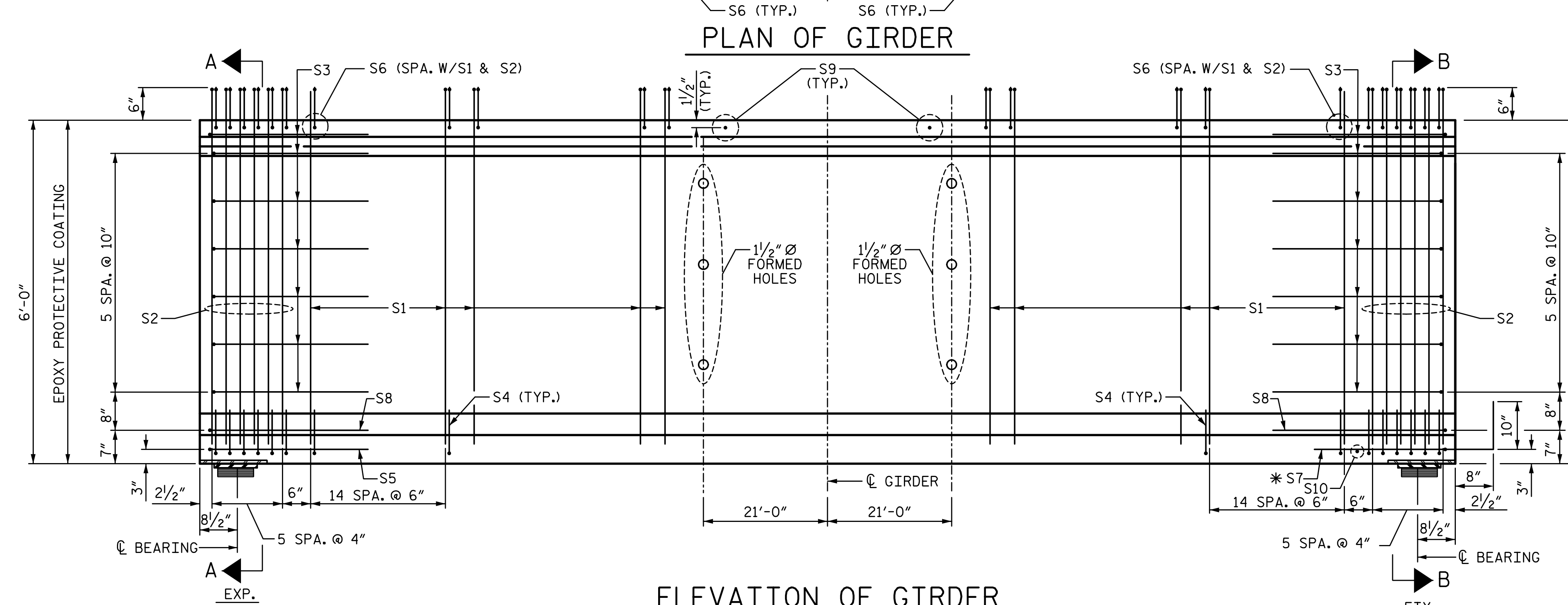
0.6" Ø L. R. GRADE 270 STRANDS		
AREA (SQUARE INCHES)	ULTIMATE STRENGTH (LBS. PER STRAND)	APPLIED PRESTRESS (LBS. PER STRAND)
0.217	58,600	43,950

REINFORCING STEEL FOR ONE GIRDER					
BAR	NO.	SIZE	TYPE	LENGTH	WEIGHT
S1	194	4	1	6'-10"	886
S2	24	5	1	6'-10"	171
S3	14	4	2	8'-5"	79
S4	84	4	3	3'-0"	168
S5	1	5	2	9'-10"	10
S6	218	5	4	4'-4"	985
*S7	10	5	STR	3'-8"	38
S8	2	5	2	9'-0"	19
S9	44	5	STR	3'-3"	149
S10	1	3	STR	1'-10"	1
S11	8	5	5	11'-6"	96
S12	16	4	STR	8'-0"	86

* NOTE: S7 BARS SHALL BE BENT BEFORE SHIPMENT. HEAT BENDING SHALL NOT BE ALLOWED.



- FULLY DEBONDED STRAND
- ◻ STRAND DEBONDED FOR 16'-0" FROM END OF GIRDER
- ▲ STRAND DEBONDED FOR 20'-0" FROM END OF GIRDER
- ⊙ STRAND DEBONDED FOR 28'-0" FROM END OF GIRDER

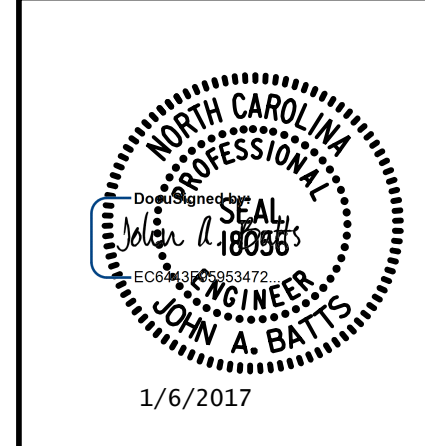


QUANTITIES FOR ONE GIRDER			
SPAN A	REINFORCING STEEL	9,000 PSI CONCRETE	0.6" Ø L. R. STRANDS
	LB.	C.Y.	No.
ALL GIRDERS	2688	27.6	52

GIRDERS REQUIRED		
NUMBER	LENGTH	TOTAL LENGTH
4	"A"	515.22

PROJECT NO. U-3109A
 ALAMANCE COUNTY
 STATION: 146+61.35 -L-

PLANS PREPARED BY:
SIMPSON ENGINEERS & ASSOCIATES
 5640 Dillard Drive
 Suite 200
 Cary, NC 27518
 (919) 852-0468
 (919) 852-0598 (Fax)
 www.simpsonengr.com
 LICENSURE NO. C-2521



STATE OF NORTH CAROLINA
 DEPARTMENT OF TRANSPORTATION
 RALEIGH
 SUPERSTRUCTURE
 72" PRESTRESSED CONCRETE
 MODIFIED BULB TEE
 CONTINUOUS FOR LIVE LOAD
 SPAN A
 (NBL)

REVISIONS					
NO.	BY:	DATE:	NO.	BY:	DATE:
1			3		
2			4		

SHEET NO. S03-20
 TOTAL SHEETS S03-53

DRAWN BY: T. BANKOVICH DATE: 9-15
 CHECKED BY: J.A. BATTS DATE: 9-15
 DESIGN ENGINEER OF RECORD: J.A. BATTS DATE: 9-15

SEE GIRDER DIMENSION TABLE ON "PRESTRESSED CONCRETE GIRDER CONTINUOUS FOR LIVE LOAD DETAILS" SHEET FOR DIMENSIONS "A", "B", "C" AND "D"