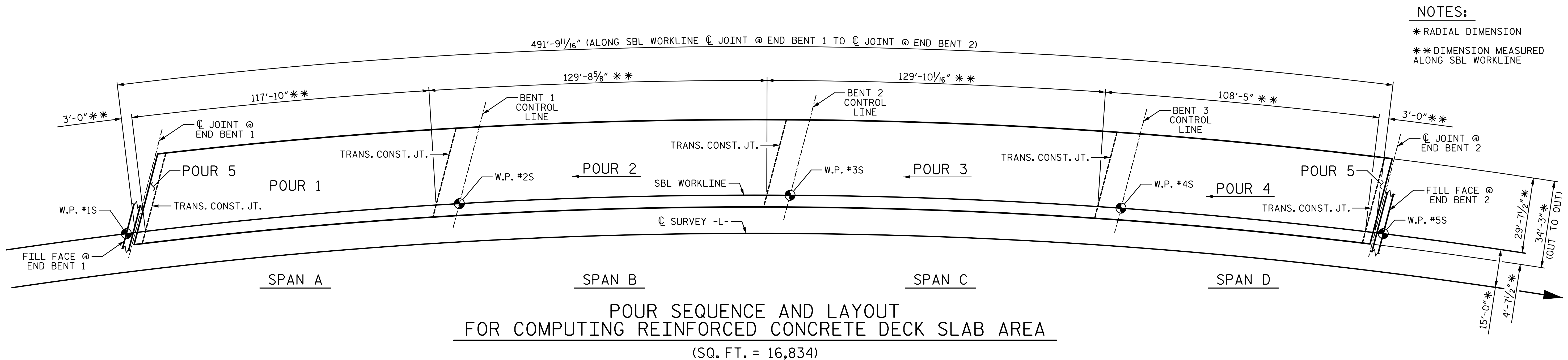
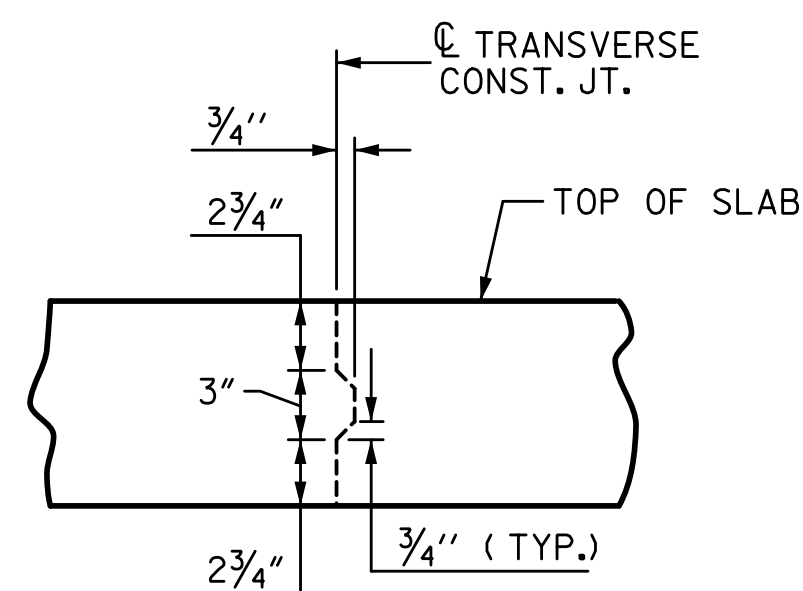
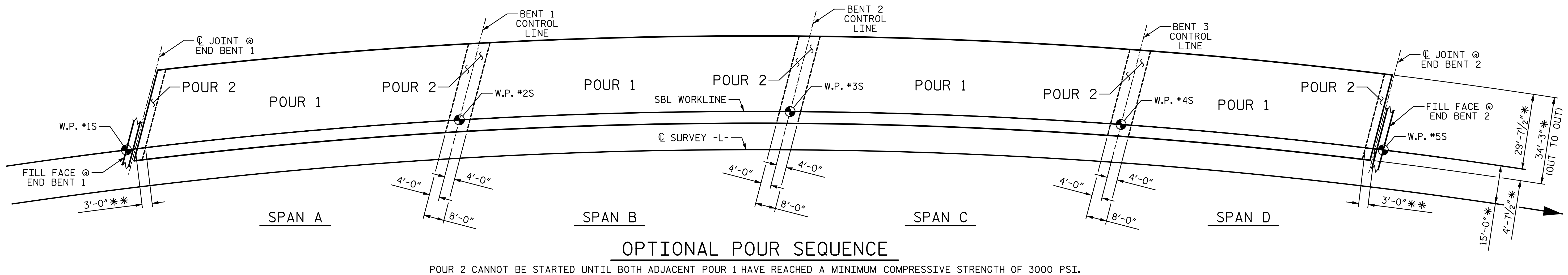


9/11/2015 10:16:47 AM G:\Projects\2014\U-3109A\Structures\Site 2\Site 2-Str 2 Bridge 436 (SBL)\Drawings\Final\402_U3109A-smu_bm.dgn



NOTES:
 * RADIAL DIMENSION
 ** DIMENSION MEASURED ALONG SBL WORKLINE



PROJECT NO. U-3109A
ALAMANCE COUNTY
 STATION: 146+61.35 -L-

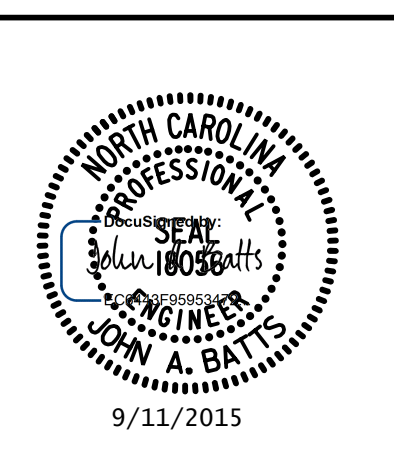
STATE OF NORTH CAROLINA
 DEPARTMENT OF TRANSPORTATION
 RALEIGH
 SUPERSTRUCTURE

POUR SEQUENCE
 (SBL)

REVISIONS						SHEET NO. S02-34
NO.	BY:	DATE:	NO.	BY:	DATE:	
1			3			TOTAL SHEETS S02-51
2			4			

DRAWN BY: T. BANKOVICH DATE: 9-15
 CHECKED BY: J.A. BATTS DATE: 9-15
 DESIGN ENGINEER OF RECORD: J.A. BATTS DATE: 9-15

PLANS PREPARED BY:
SIMPSON ENGINEERS & ASSOCIATES
 5640 Dillard Drive
 Suite 200
 Cary, NC 27518
 (919) 852-0468
 (919) 852-0598 (Fax)
 www.simpsonengr.com
 LICENSURE NO. C-2521



STR. #2