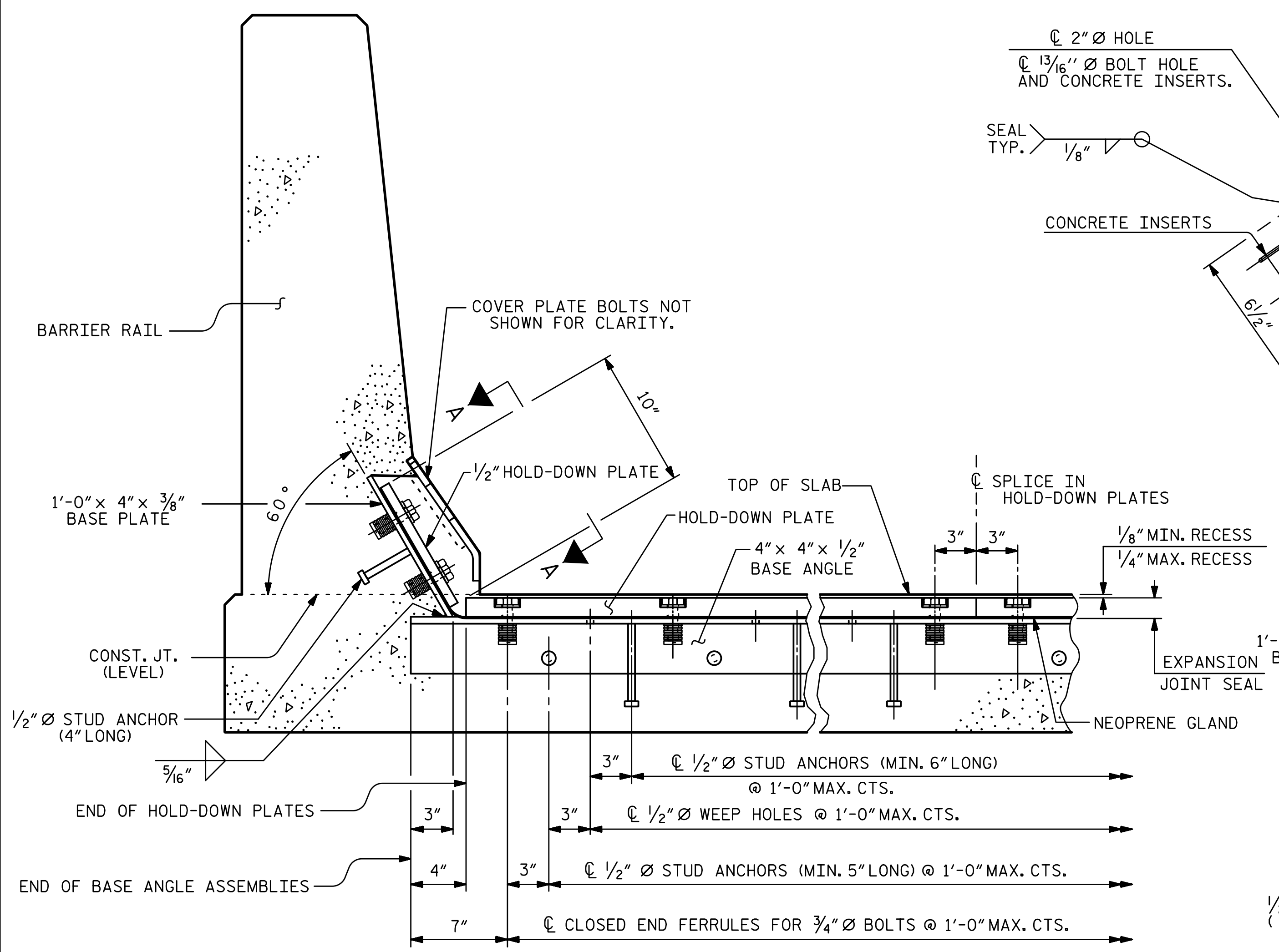
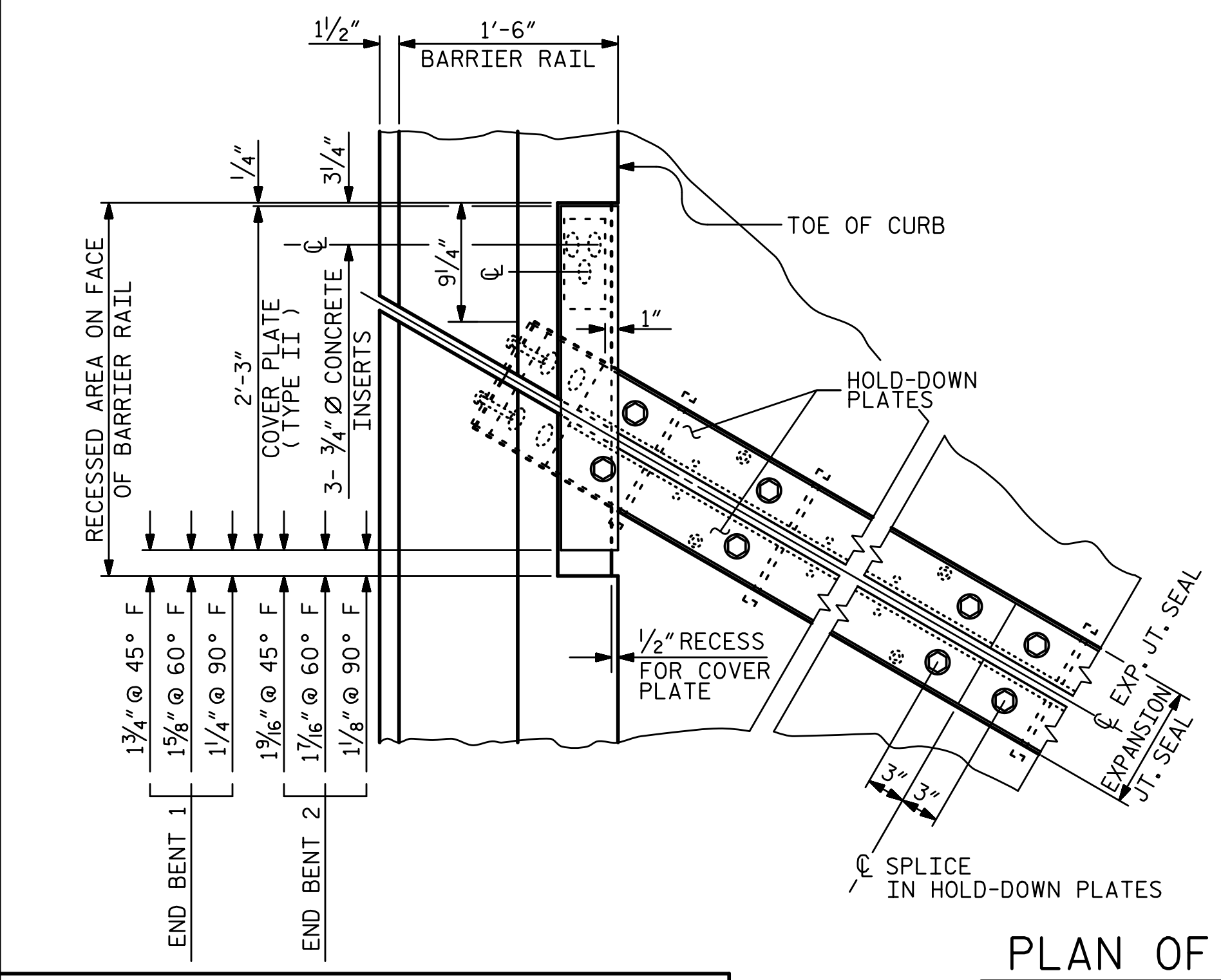


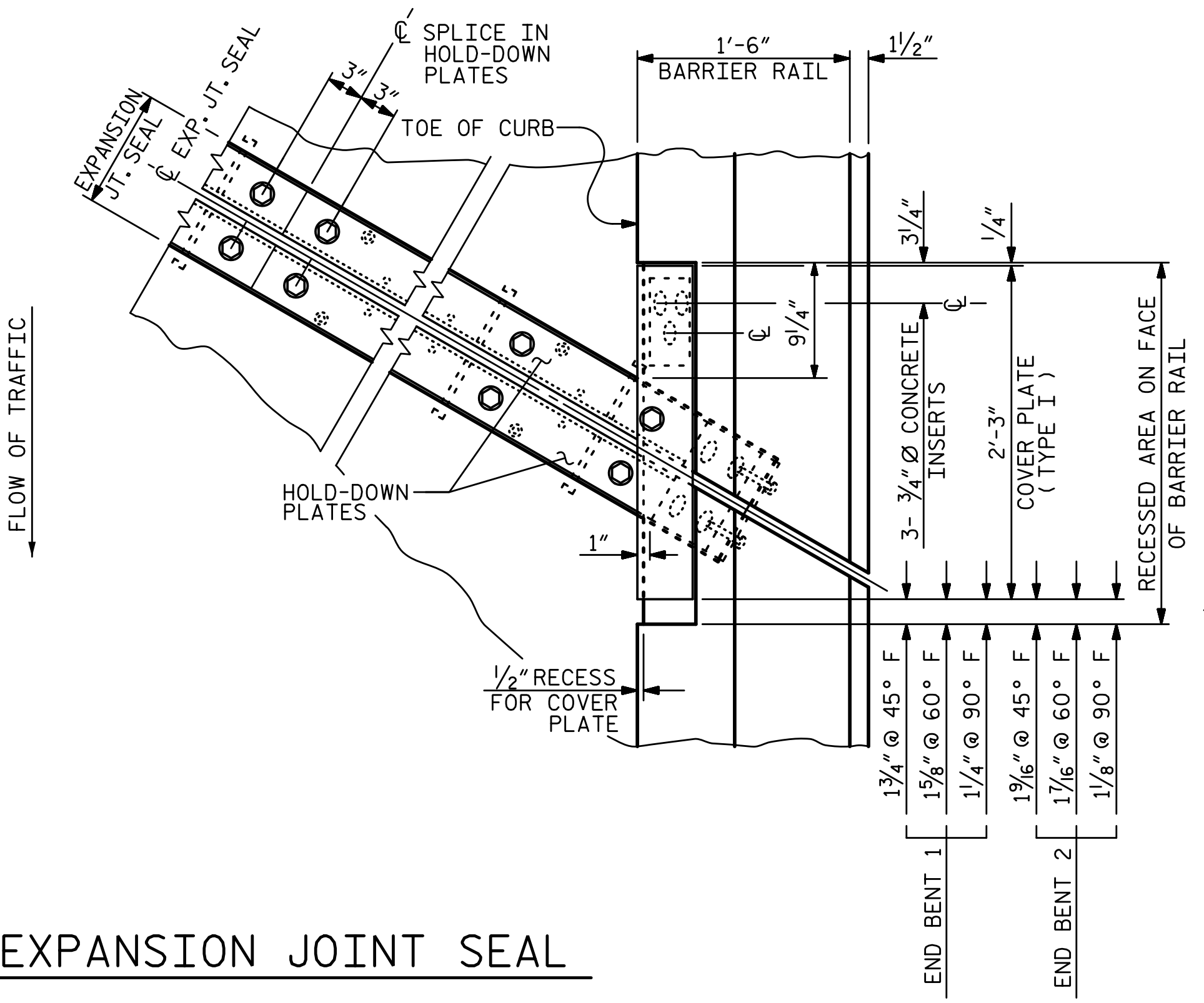
9/11/2015 10:16:46 AM G:\Projects\2014\U-3109A\Structures\Site 2\Site 2-Str 2 Bridge 436 (SBL)\Drawings\Final\402_U3109A_smu_ej.s.dgn



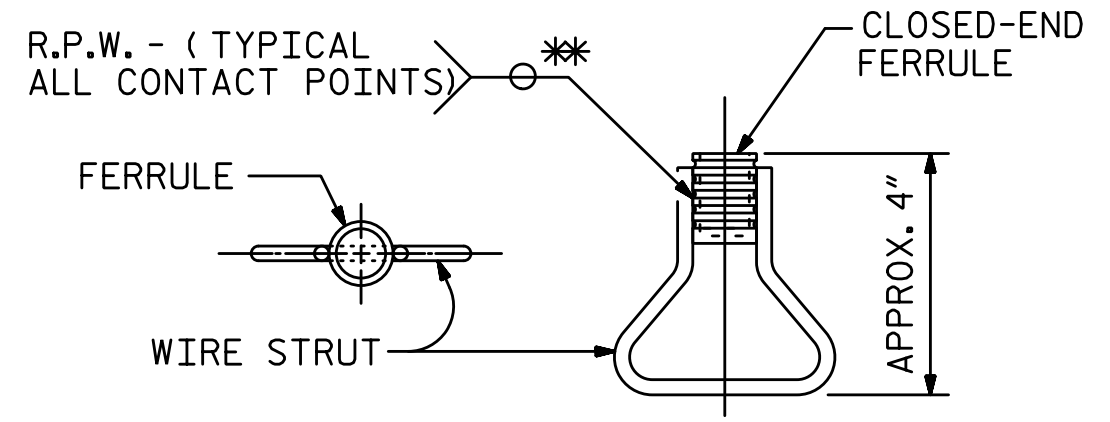
SECTION THRU RAIL NORMAL TO JOINT



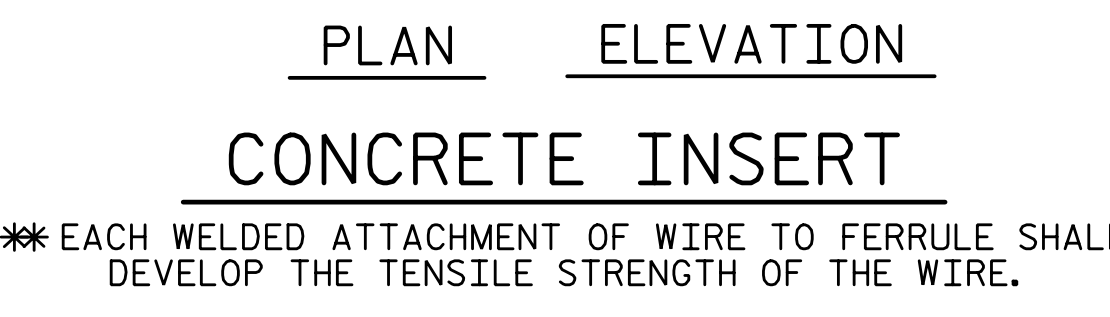
PLAN OF EXPANSION JOINT SEAL



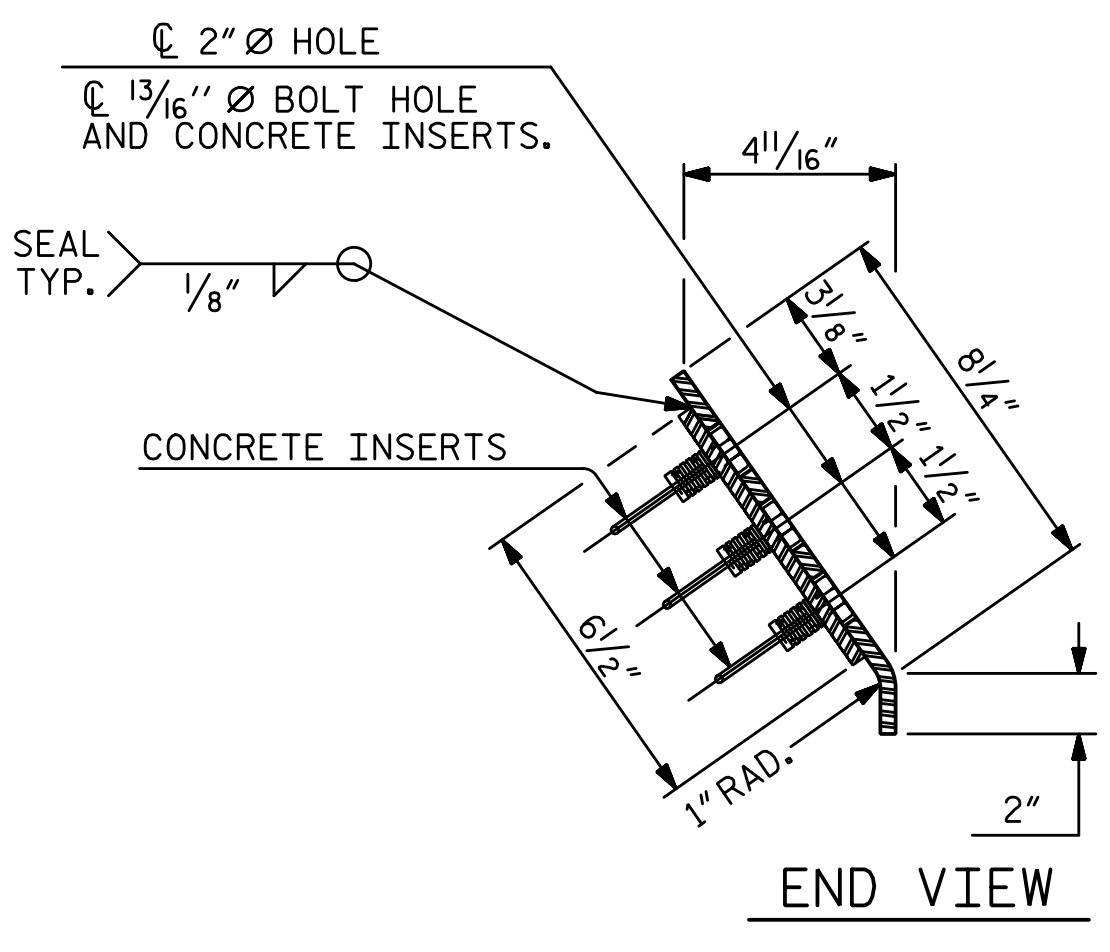
SECTION A-A



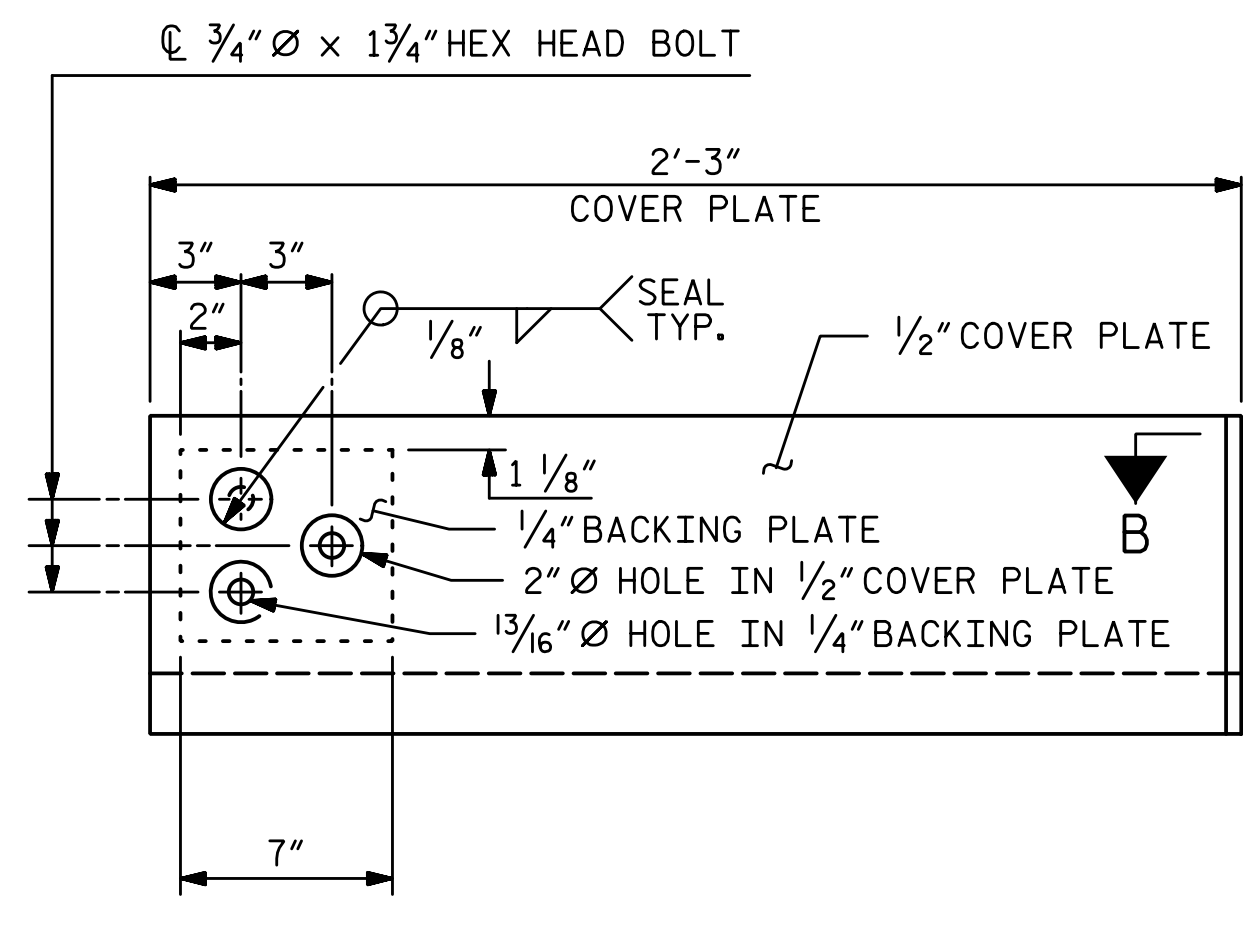
SECTION B-B



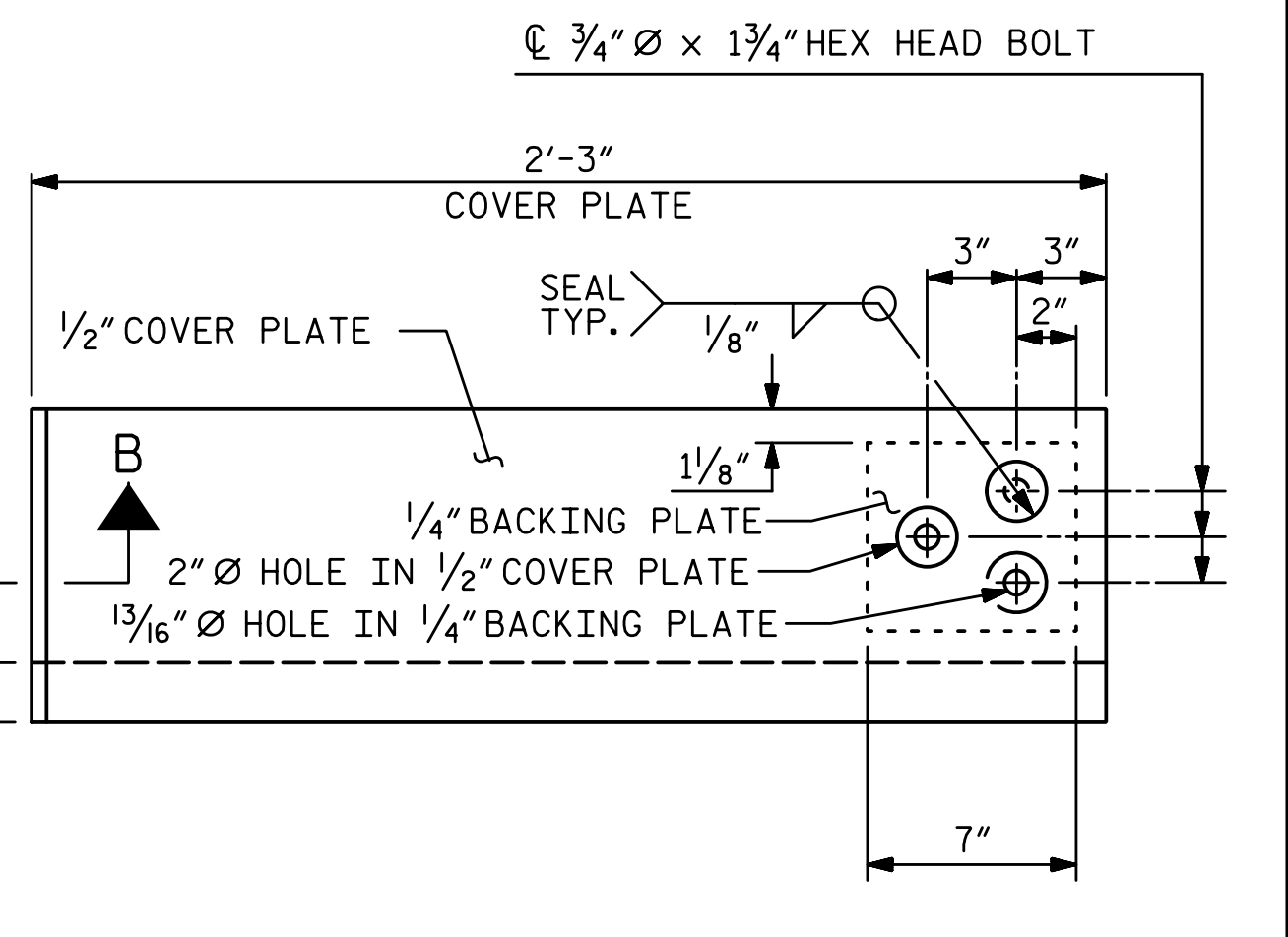
CONCRETE INSERT



END VIEW

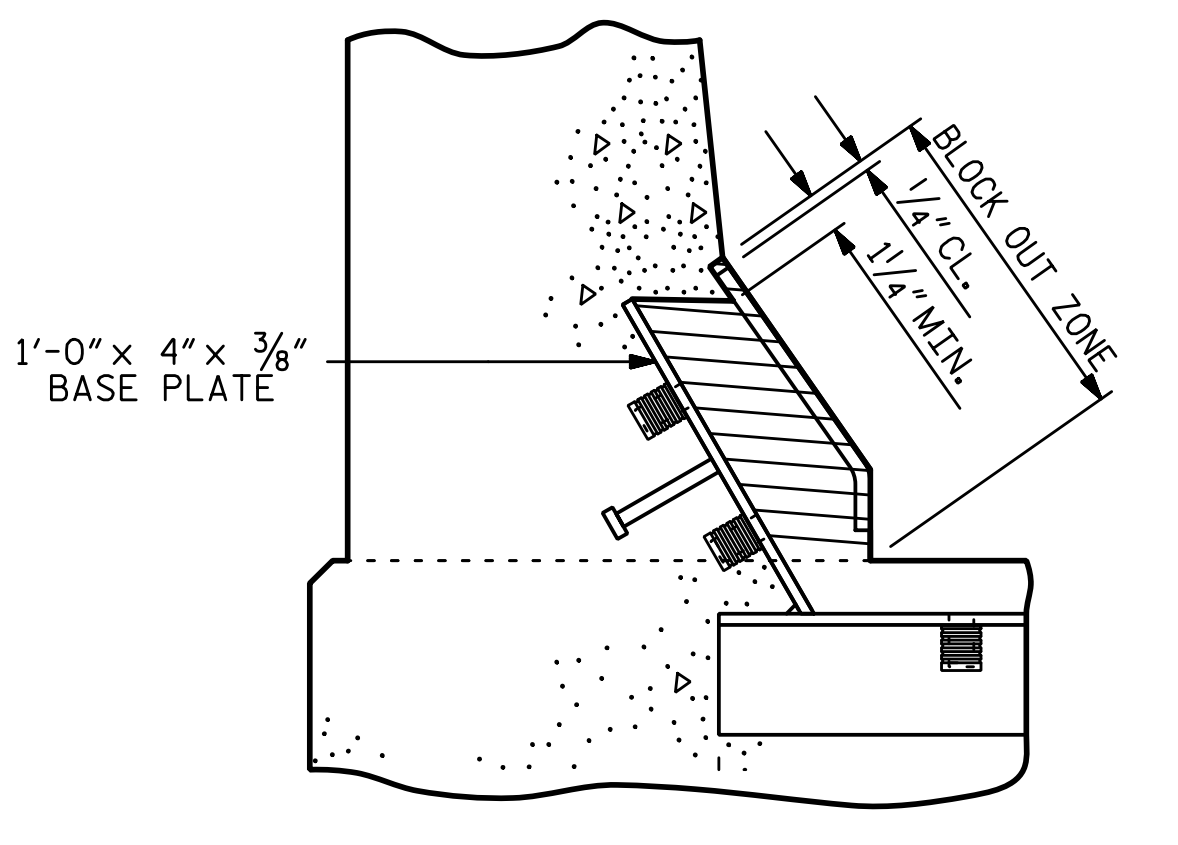


TYPE I - ELEVATION VIEW



TYPE II - ELEVATION VIEW

COVER PLATE DETAILS

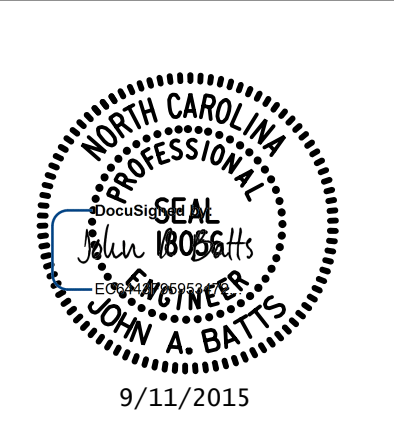


BLOCK OUT DETAIL

SEE "SECTION A-A" FOR OTHER DETAILS

DRAWN BY: T. BANKOVICH	DATE: 9-15
CHECKED BY: J.A. BATTS	DATE: 9-15
DESIGN ENGINEER OF RECORD: J.A. BATTS	DATE: 9-15

PLANS PREPARED BY:
SIMPSON ENGINEERS & ASSOCIATES
 5640 Dillard Drive
 Suite 200
 Cary, NC 27518
 (919) 852-0468
 (919) 852-0598 (Fax)
 www.simpsonengr.com
 LICENSURE NO. C-2521



PROJECT NO. U-3109A
ALAMANCE COUNTY
 STATION: 146+61.35 -L-

SHEET 2 OF 2

STATE OF NORTH CAROLINA
 DEPARTMENT OF TRANSPORTATION
 RALEIGH
 SUPERSTRUCTURE
 EXPANSION JOINT
 SEAL DETAILS
 FOR BARRIER RAIL
 (SBL)

REVISIONS						SHEET NO.
NO.	BY:	DATE:	NO.	BY:	DATE:	SHEET NO.
1			3			TOTAL SHEETS
2			4			S02-51

STR. #2