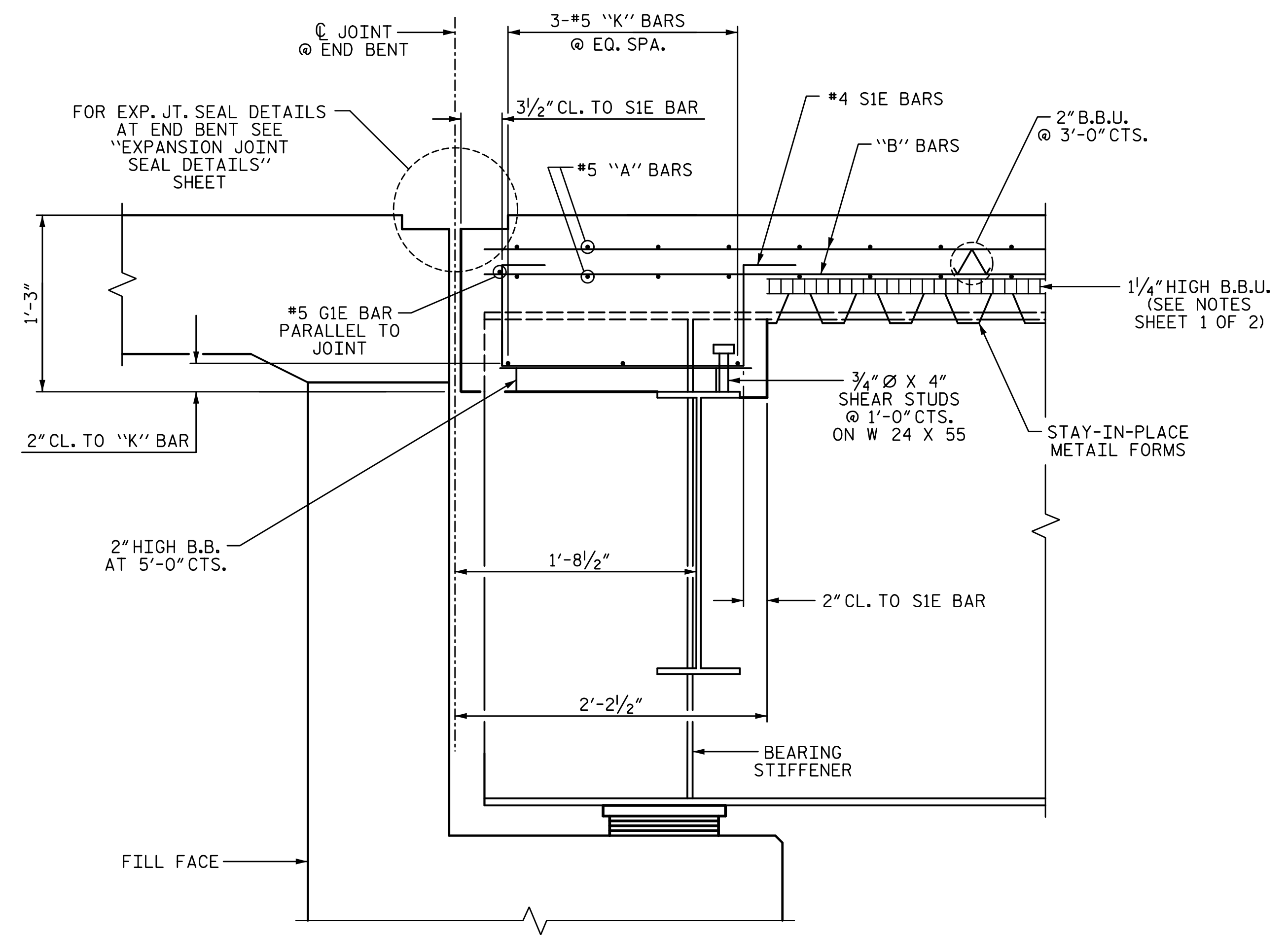
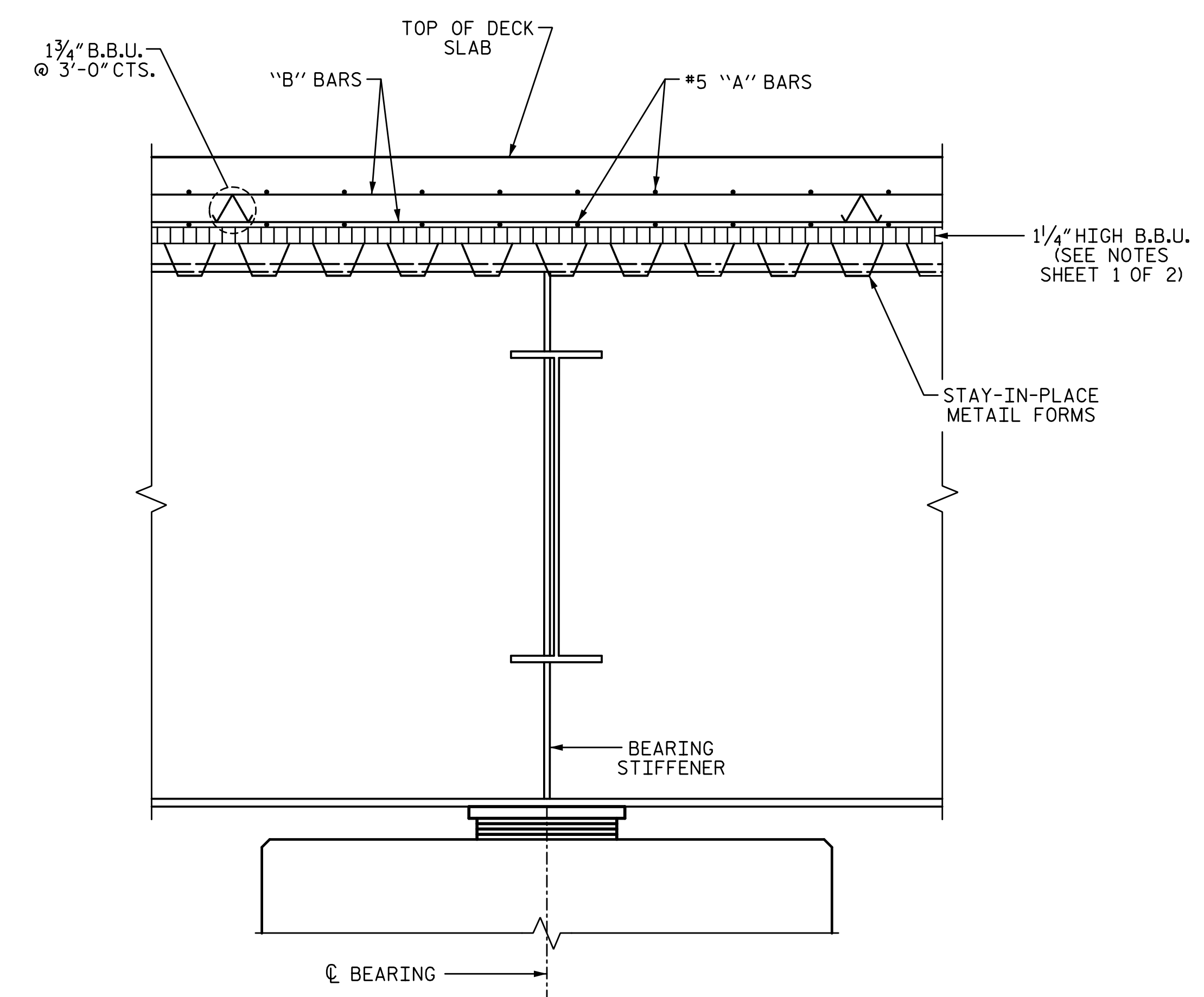


2/10/2017 9:09:00 AM G:\Projects\2014\U-3109A\Structures\Site 1-Bridge 434 (NBL)\Drawings\Final\401\_U3109A\_SMU\_TS.dgn



**SECTION THRU END BENT**  
(END BENT 1 SHOWN, END BENT 2 SIMILAR)



**SECTION AT BENT**

PROJECT NO. U-3109A  
ALAMANCE COUNTY  
 STATION: 26+54.73 -NBL-

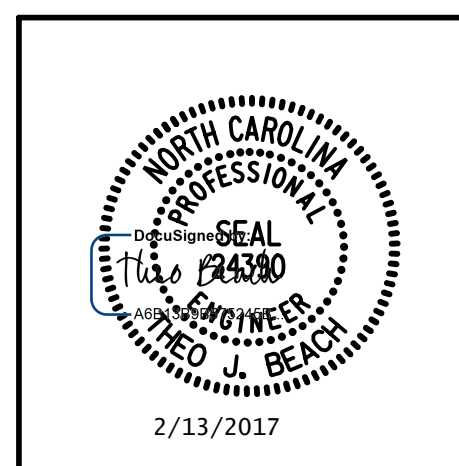
SHEET 2 OF 2

STATE OF NORTH CAROLINA  
 DEPARTMENT OF TRANSPORTATION  
 RALEIGH  
 SUPERSTRUCTURE

**TYPICAL SECTION  
 DETAILS**

REVISIONS						SHEET NO.
NO.	BY:	DATE:	NO.	BY:	DATE:	
1			3			TOTAL SHEETS
2			4			S01-49

PLANS PREPARED BY:  
**SIMPSON ENGINEERS & ASSOCIATES**  
 5640 Dillard Drive  
 Suite 200  
 Cary, NC 27518  
 (919) 852-0468  
 (919) 852-0598 (Fax)  
 www.simpsonengr.com  
 LICENSURE NO. C-2521



DRAWN BY: S. D. COOPER DATE: 5-15  
 CHECKED BY: B.S. COX DATE: 5-15  
 DESIGN ENGINEER OF RECORD: T.J. BEACH DATE: 5-15