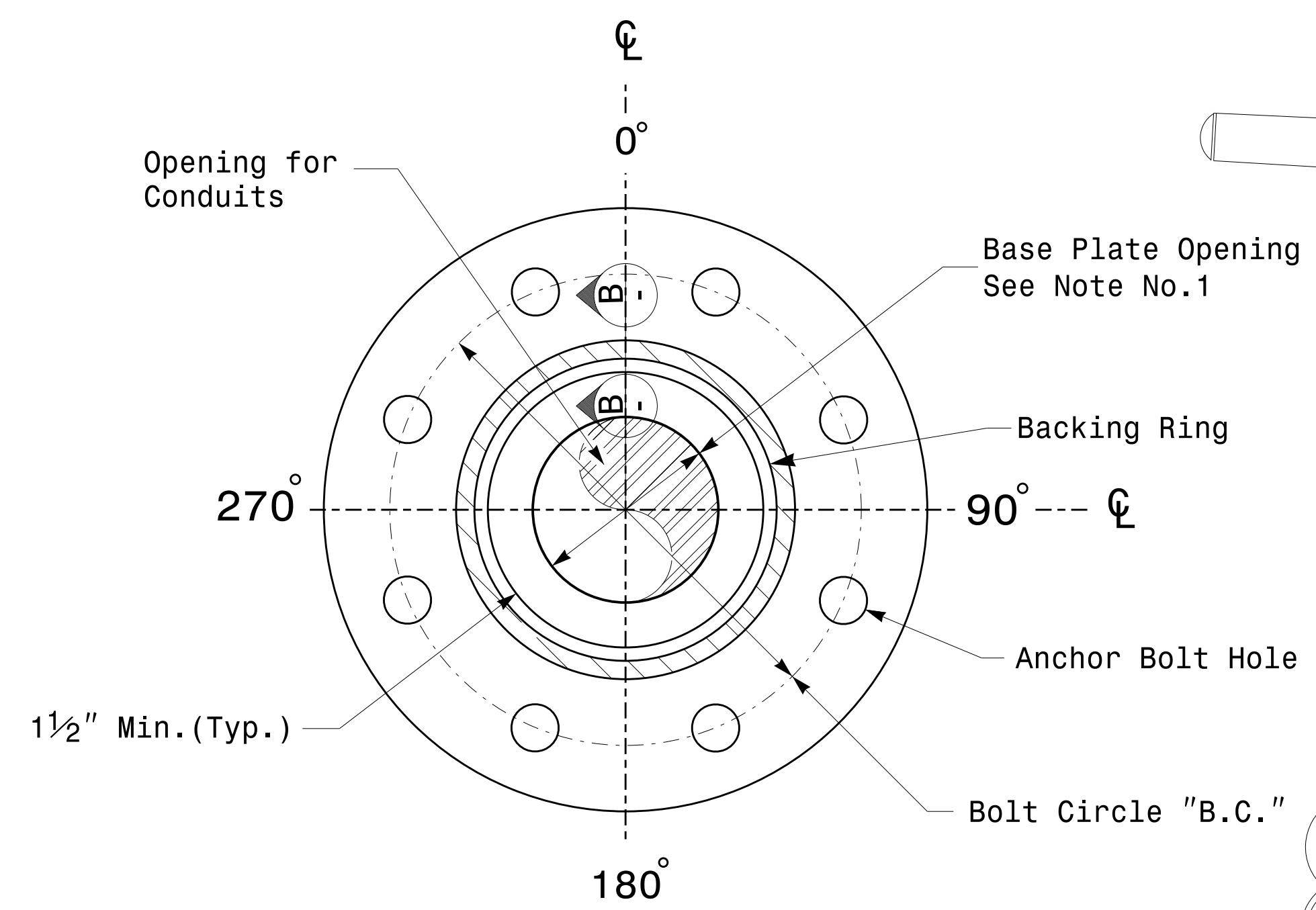
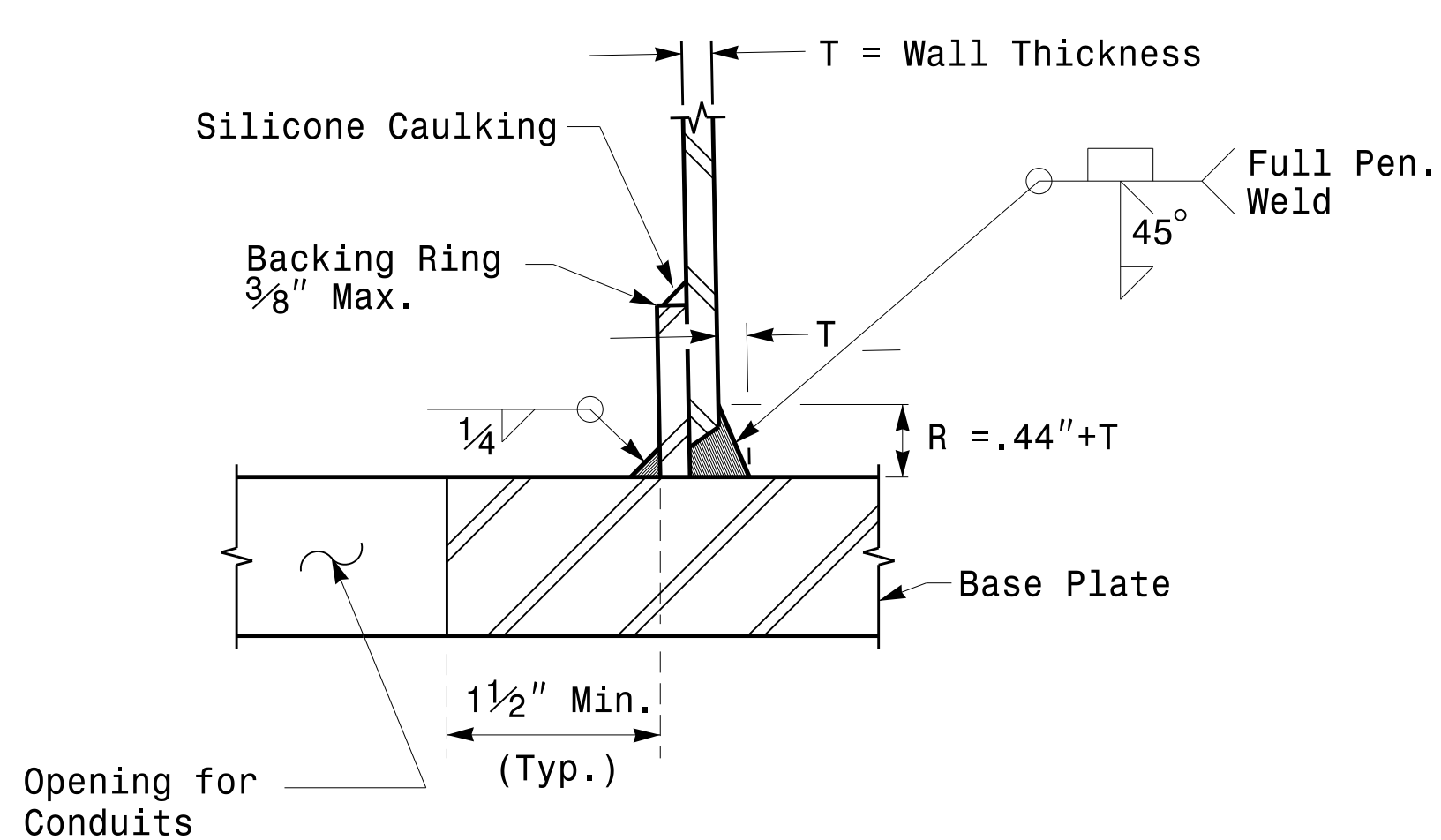


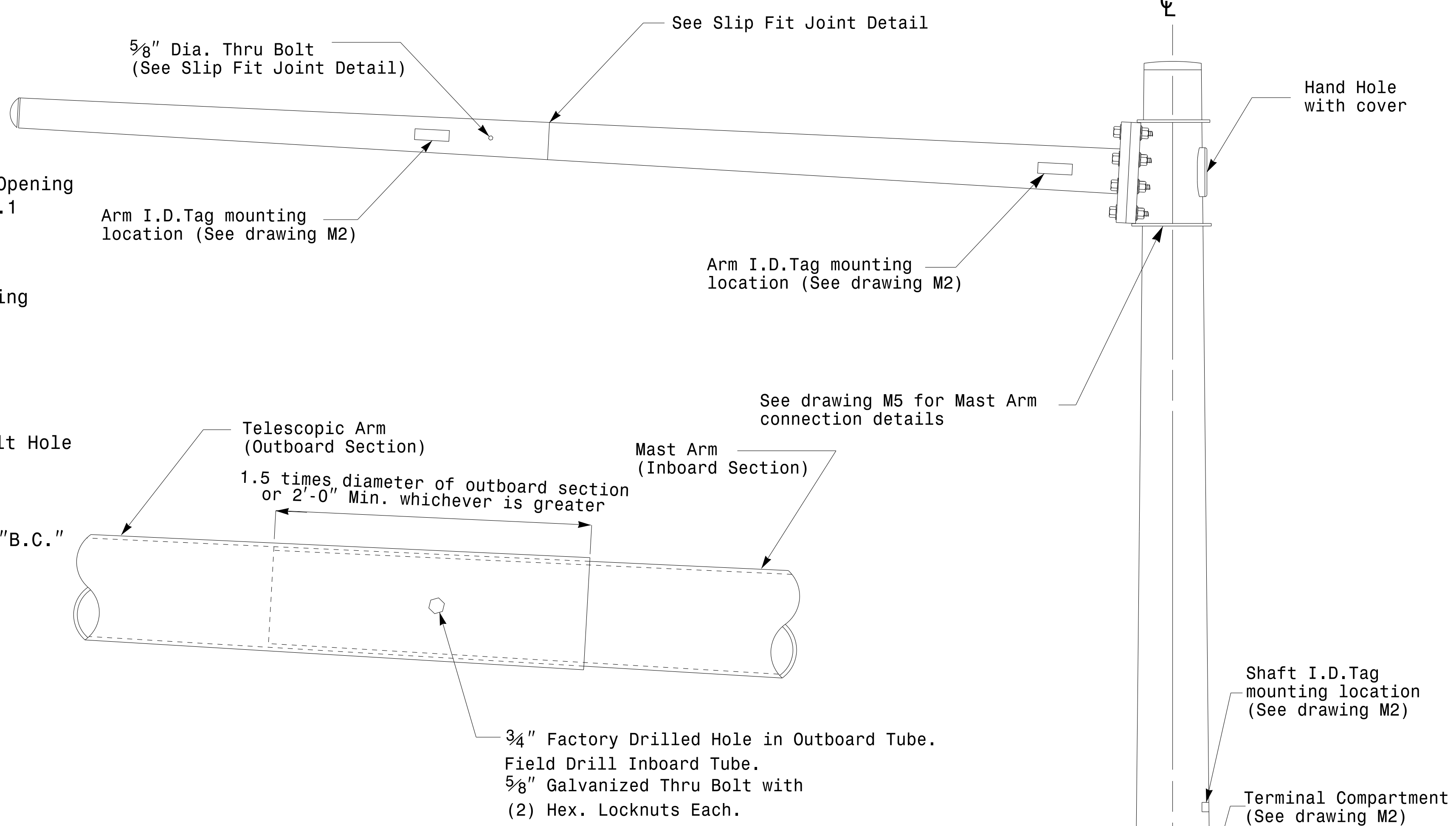
Note:  
 1. Opening in pole base plate shall be equal to pole base inside diameter minus 3 1/2" but shall not be less than 8 1/2".



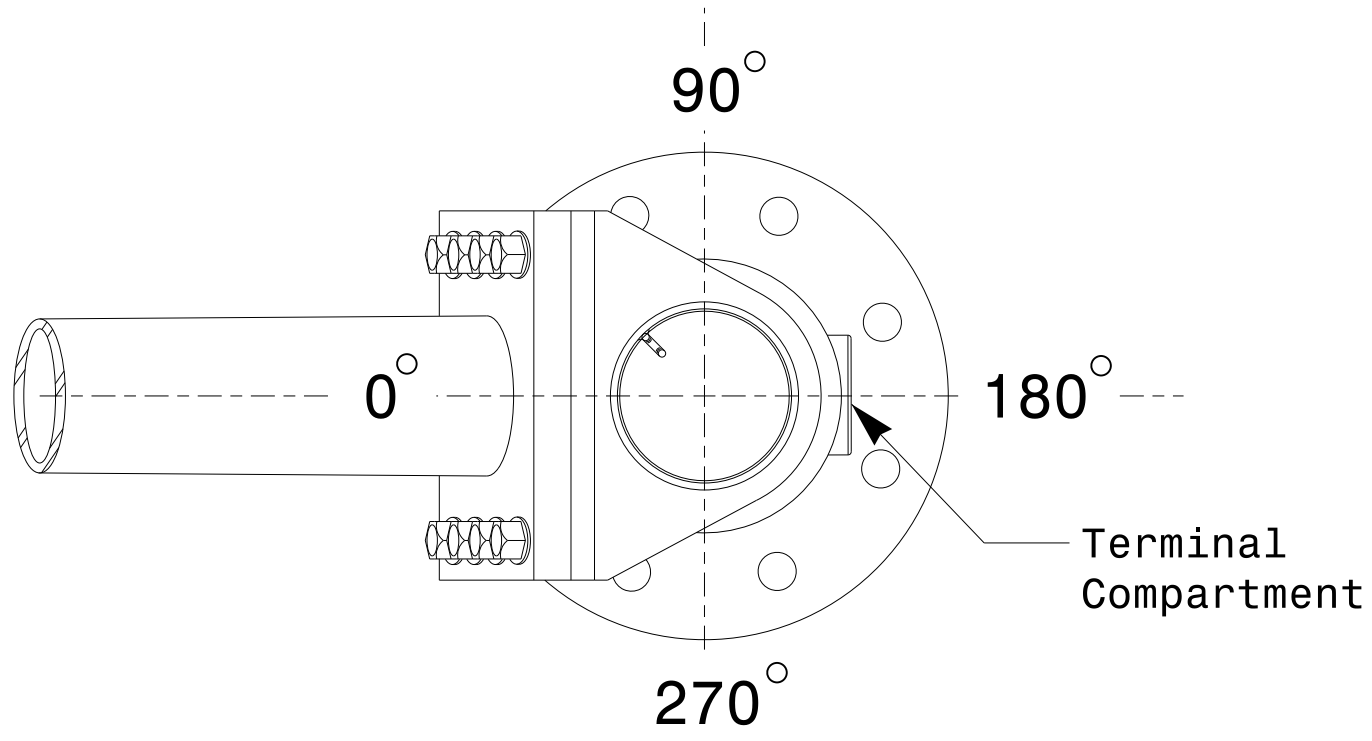
**Section A-A**  
**Pole Base Plate Details**



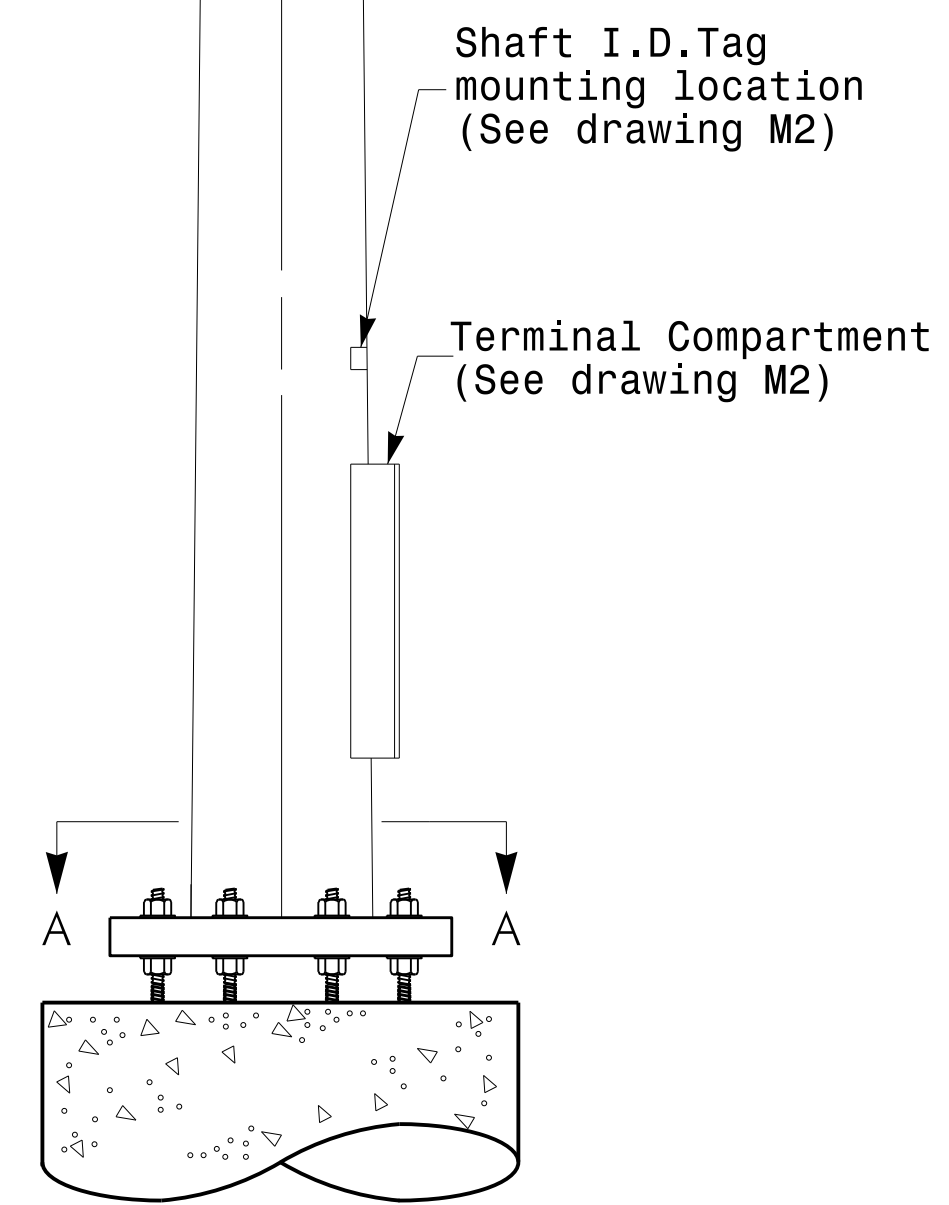
**Section B-B**  
 (Pole Attachment to Base Plate)  
**Full-Penetration Groove Weld Detail**



**Slip Fit Joint Detail for Mast Arm**



**Mast Arm Radial Orientation**



**Mast Arm Pole**

**Fabrication Details - Mast Arm Poles**

	<b>Typical Fabrication Details For Mast Arm Poles</b>		
	PLAN DATE: FEBRUARY 2016 PREPARED BY: N. BITTING	DESIGNED BY: K.C. DURIGON REVIEWED BY: D.C. SARKAR	
SCALE: 0 NA NONE	DocuSigned by 		SEAL 2/17/2016 DATE

17-FEB-2016 16:05  
 U:\3604115\SIGNALSIG\Design Section\Eastern Region\445162014\_Sig.M4\_Std\_Fabrication\_Details-Mast\_Arm\_Poles.dgn  
 3/20/2016