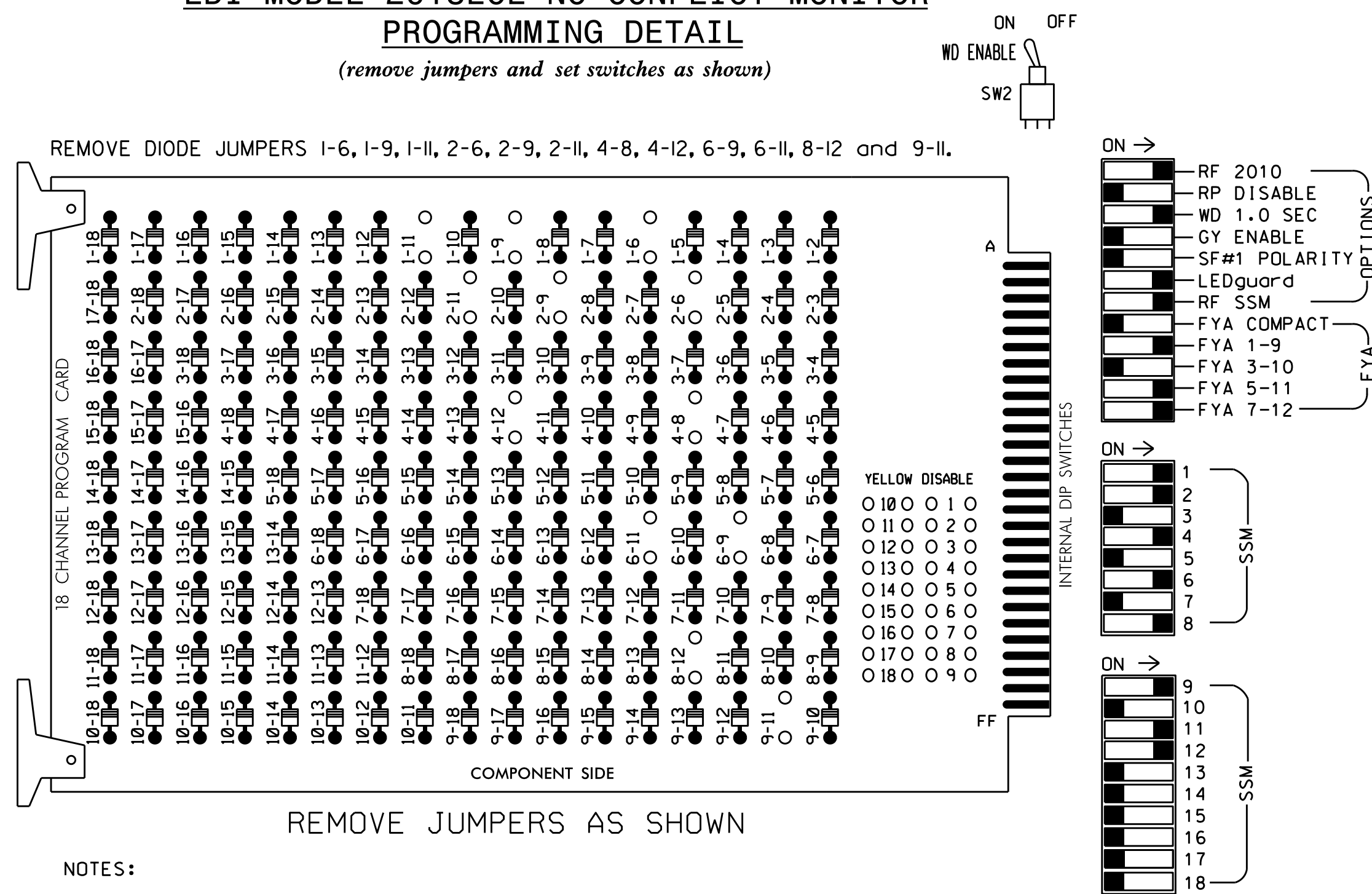


EDI MODEL 2018ECL-NC CONFLICT MONITOR PROGRAMMING DETAIL

(remove jumpers and set switches as shown)



NOTES:

- Card is provided with all diode jumpers in place. Removal of any jumper allows its channels to run concurrently.
- Ensure jumpers SEL2-SEL5 and SEL9 are present on the monitor board.
- Ensure that Red Enable is active at all times during normal operation.
- Connect serial cable from conflict monitor to comm. port 1 of 2070 controller. Ensure conflict monitor communicates with 2070.

INPUT FILE POSITION LAYOUT

(front view)

FILE U	1	2	3	4	5	6	7	8	9	10	11	12	13	14
"I"	∅ 1 1A	∅ 1 1B	∅ 2 2A	∅ 3 3A	∅ 4 4A	∅ 4 4C	∅ 5 5A	∅ 6 6A	∅ 7 7A	∅ 8 8A	∅ 9 9A	∅ 10 10A	∅ 11 11A	∅ 12 12A
L	NOT USED	NOT USED	∅ 2 2B	∅ 3 3B	∅ 4 4B	NOT USED	∅ 5 5B	∅ 6 6B	∅ 7 7B	∅ 8 8B	∅ 9 9B	∅ 10 10B	∅ 11 11B	∅ 12 12B
FILE U	S	∅ 6 6A	∅ 7 7A	∅ 8 8A	∅ 9 9A	∅ 10 10A	∅ 11 11A	∅ 12 12A	∅ 13 13A	∅ 14 14A	∅ 15 15A	∅ 16 16A	∅ 17 17A	∅ 18 18A
L	∅ 1 1A	NOT USED	∅ 2 2A	∅ 3 3A	∅ 4 4A	∅ 5 5A	∅ 6 6A	∅ 7 7A	∅ 8 8A	∅ 9 9A	∅ 10 10A	∅ 11 11A	∅ 12 12A	∅ 13 13A

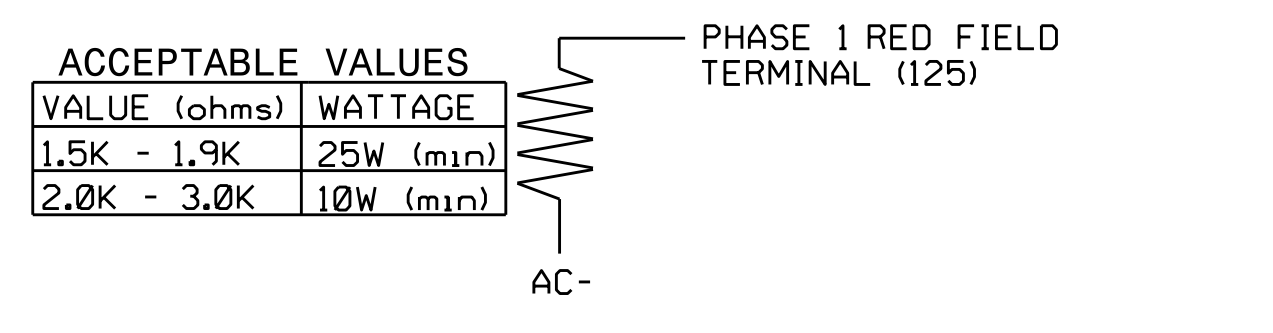
EX.: 1A, 2A, ETC. = LOOP NO.'S

FS = FLASH SENSE
ST = STOP TIME

⊗ Wired Input - Do not populate slot with detector card

LOAD RESISTOR INSTALLATION DETAIL

(install resistor as shown below)



NOTES

- To prevent "flash-conflict" problems, insert red flash program blocks for all unused vehicle load switches in the output file. The installer shall verify that signal heads flash in accordance with the Signal Plans.
- Program phases 4 and 8 for Dual Entry.
- Enable Simultaneous Gap-Out for all phases.
- Program phases 2 and 6 for Variable Initial and Gap Reduction.
- Program phases 2 and 6 for Start Up In Green.
- Program phases 2 and 6 for Yellow Flash and overlap 1 as Wag Overlaps.
- The cabinet and controller are part of the NC 119 Closed Loop System.

EQUIPMENT INFORMATION

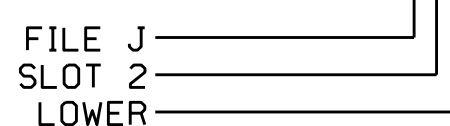
CONTROLLER.....2070
 CABINET.....332 W/ AUX
 SOFTWARE.....ECONOLITE OASIS
 CABINET MOUNT.....BASE
 OUTPUT FILE POSITIONS...18 WITH AUX. OUTPUT FILE
 LOAD SWITCHES USED.....S1,S2,S5,S8,S11,AUX S1,AUX S4,
 AUX S5
 PHASES USED.....1,2,4,6,8
 OVERLAP "A".....1+2
 OVERLAP "B".....NOT USED
 OVERLAP "C".....6
 OVERLAP "D".....8

INPUT FILE CONNECTION & PROGRAMMING CHART

LOOP NO.	LOOP TERMINAL	INPUT FILE POS.	PIN NO.	INPUT ASSIGNMENT NO.	DETECTOR NO.	NEMA PHASE	CALL	EXTEND	FULL TIME DELAY	STRETCH TIME	DELAY TIME
1A	TB2-1,2	I1U	56	18	1	1	Y	Y			15
	-	J4U	48	10	26	6	Y	Y	Y		3
1B	TB2-5,6	I2U	39	1	2	1	Y	Y			15
2A	TB2-9,10	I3U	63	25	32	2	Y	Y			
2B	TB2-11,12	I3L	76	38	42	2	Y	Y	Y		3
4A	TB4-9,10	I6U	41	3	4	4	Y	Y			
4B	TB4-11,12	I6L	45	7	14	4	Y	Y			10
4C	TB6-1,2	I7U	65	27	34	4	Y	Y			15
6A	TB3-5,6	J2U	40	2	6	6	Y	Y			
8A	TB5-9,10	J6U	42	4	8	8	Y	Y			3

^ Add jumper from I1-W to J4-W, on rear of input file.

INPUT FILE POSITION LEGEND: J2L



SIGNAL HEAD HOOK-UP CHART

LOAD SWITCH NO.	S1	S2	S3	S4	S5	S6	S7	S8	S9	S10	S11	S12	AUX S1	AUX S2	AUX S3	AUX S4	AUX S5	AUX S6
CMU CHANNEL NO.	1	2	13	3	4	14	5	6	15	7	8	16	9	10	17	11	12	18
PHASE	1	2	2 PED	3	4	4 PED	5	6	6 PED	7	8	8 PED	OLA	OLB	SPARE	OLC	OLD	SPARE
SIGNAL HEAD NO.	11	82	21,22	NU	NU	42,43	NU	NU	61,62	NU	NU	81,82	NU	11	NU	NU	23	41
RED	*	128			101			134			107							
YELLOW			129			102			135			108						
GREEN			130			103			136			109						
RED ARROW													A121			A114	A101	
YELLOW ARROW		126											A122			A115	A102	
FLASHING YELLOW ARROW													A123			A116	A103	
GREEN ARROW	127	127																

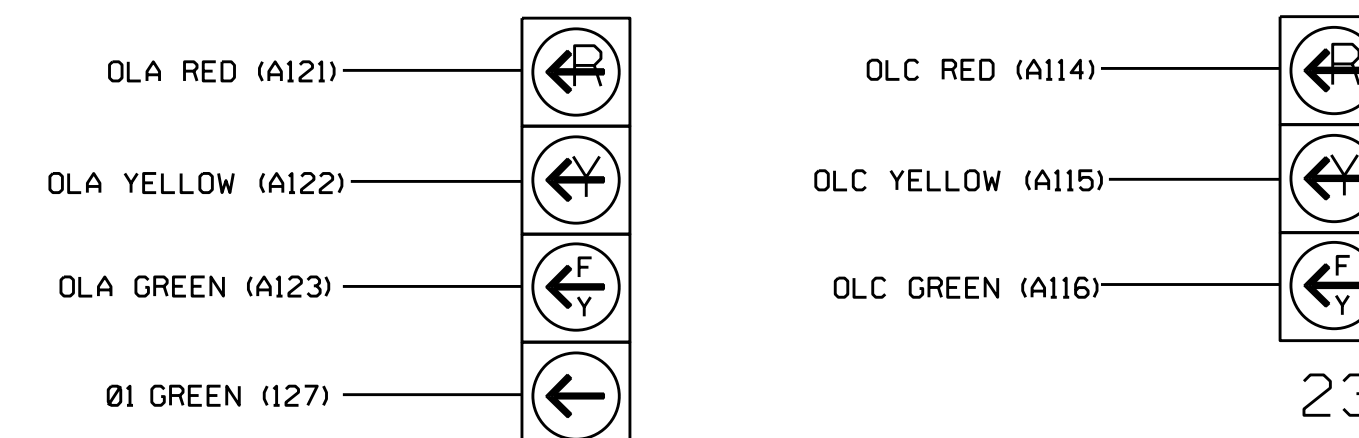
NU = Not Used

* Denotes install load resistor. See load resistor installation detail this sheet.

★ See pictorial of head wiring in detail below.

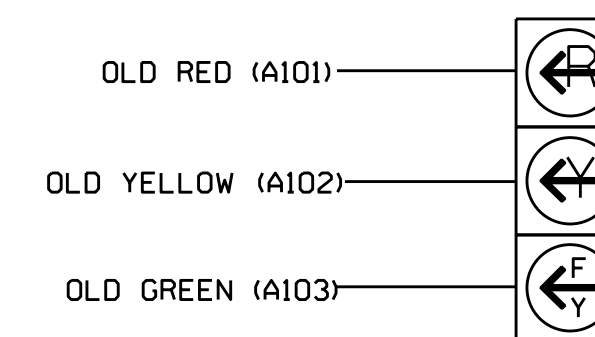
FYA SIGNAL WIRING DETAIL

(wire signal heads as shown)



11

23



41

NOTE

- The sequence display for signal head 11 requires special logic programming. See sheet 2 of 2 for programming instructions.

THIS ELECTRICAL DETAIL IS FOR THE SIGNAL DESIGN: 07-2059T2
 DESIGNED: November 2016
 SEALED: 1/25/2017
 REVISED:

Electrical Detail - Temp 2 - Sheet 1 of 2

DOCUMENT NOT CONSIDERED FINAL UNLESS ALL SIGNATURES COMPLETED

ELECTRICAL AND PROGRAMMING DETAILS FOR: Prepared In the Offices of: 750 N. Greenfield Pkwy, Garner, NC 27529	NC 119 at Deerfield Trace and Lowe's Boulevard		SEAL ZACHARY M. LITTLE ENGINEER
	Division 7 PLAN DATE: January 2017 PREPARED BY: C. Strickland	Alamance County REVIEWED BY: T. Joyce REVIEWED BY:	