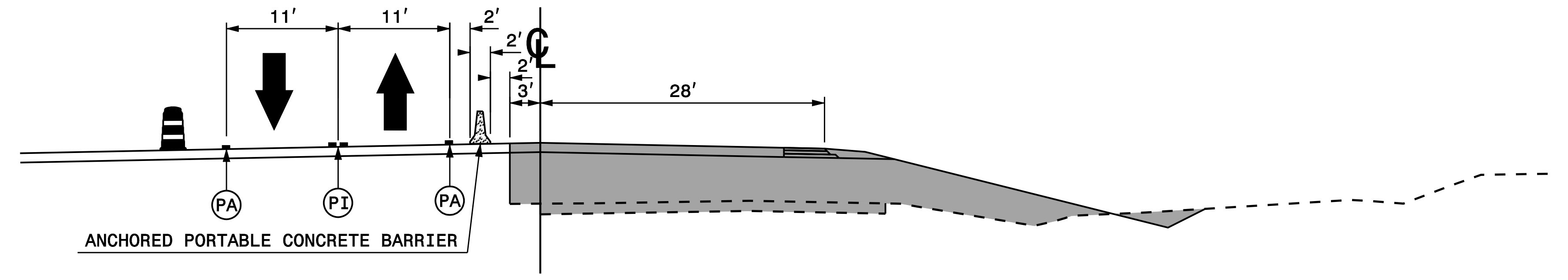
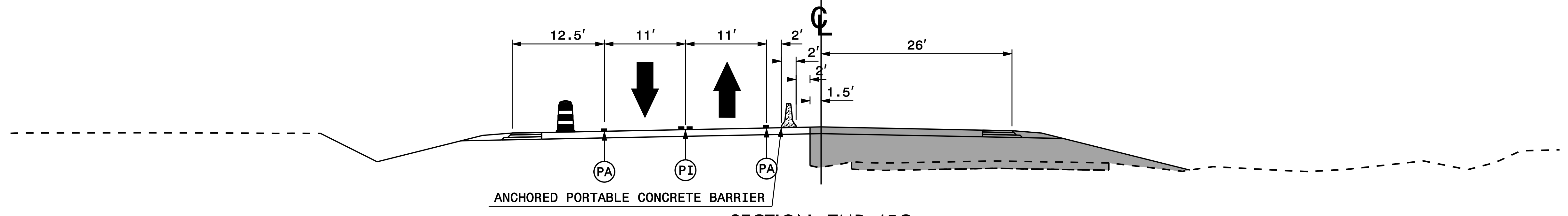


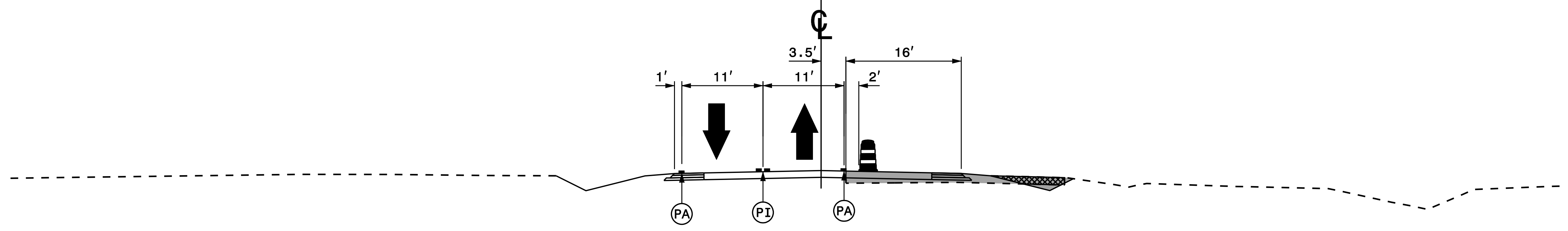
SECTION TMP-45E
-Y16- STA. 30+00 +/-



SECTION TMP-45F
-Y16- STA. 32+00 +/-



SECTION TMP-45G
-Y16- STA. 34+00 +/-



SECTION TMP-45H
-Y16- STA. 39+00 +/-

PLAN PREPARED IN THE OFFICE OF:
PROGRESSIVE DESIGN GROUP, INC.
ENGINEERS • CONSULTANTS

APPROVED: *John Gray* DATE: 3/9/2017

SEAL

TRANSPORTATION
MANAGEMENT PLAN
CROSS SECTIONS
PHASE IIC