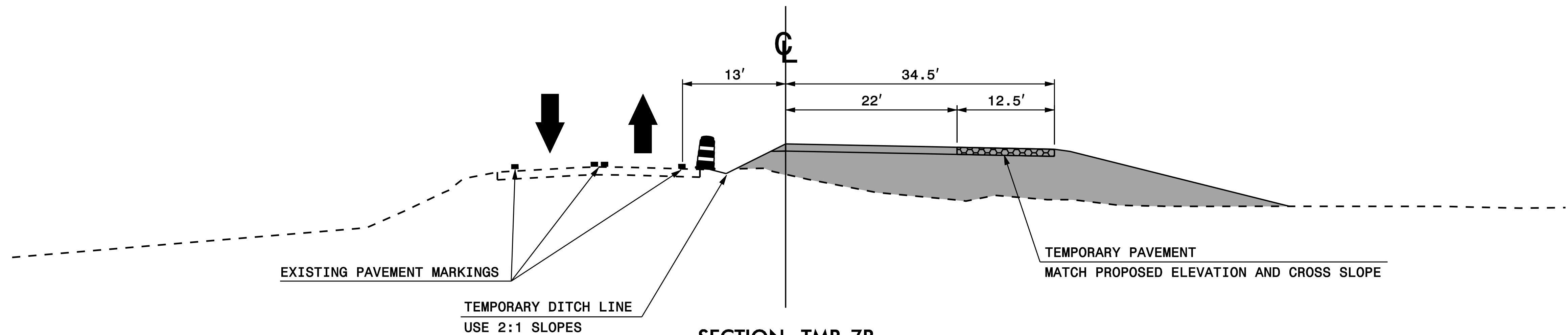
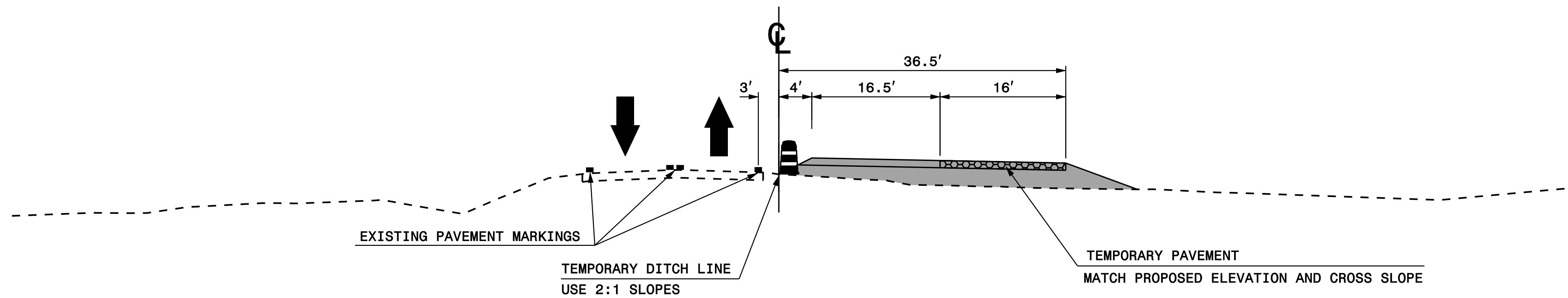


SECTION TMP-7A
-Y7A- STA. 21+50+/-



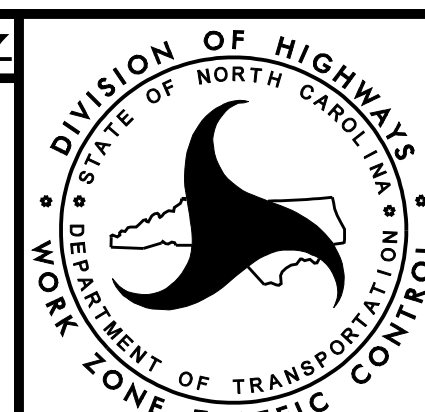
SECTION TMP-7B
-Y7A- STA. 29+50+/-



SECTION TMP-7C
-Y7A- STA. 30+50+/-

PLAN PREPARED IN THE OFFICE OF:
PROGRESSIVE
DESIGN GROUP, INC.
ENGINEERS • CONSULTANTS

APPROVED: *Ann Gray* DATE: 3/9/2017
SEAL
NORTH CAROLINA PROFESSIONAL ENGINEER
SEAL 025465
TM ARE



TRANSPORTATION
MANAGEMENT PLAN
CROSS SECTIONS
PHASE I