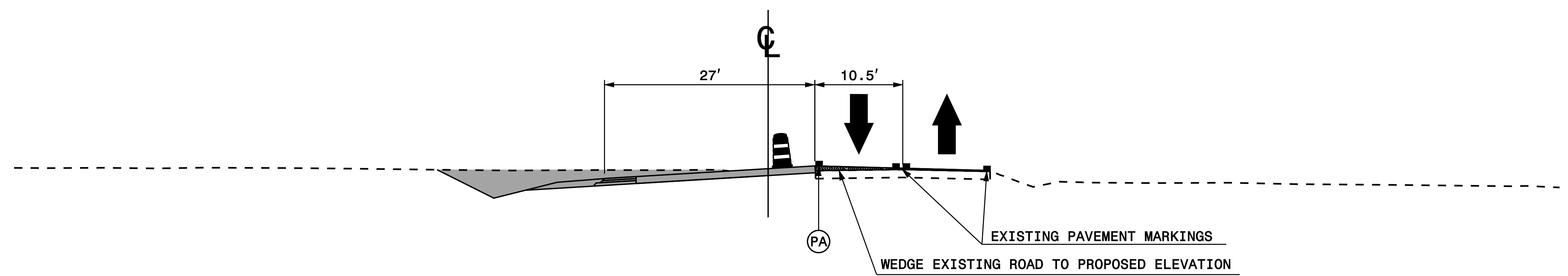


SECTION TMP-6A
-Y6A- STA. 21+00+/-



SECTION TMP-6B
-Y6- STA. 25+00+/-

PLAN PREPARED IN THE OFFICE OF:
PROGRESSIVE
DESIGN GROUP, INC.
ENGINEERS • CONSULTANTS

APPROVED: *Jim Gray* DATE: 3/9/2017

SEAL

TRANSPORTATION
MANAGEMENT PLAN
CROSS SECTIONS
PHASE I