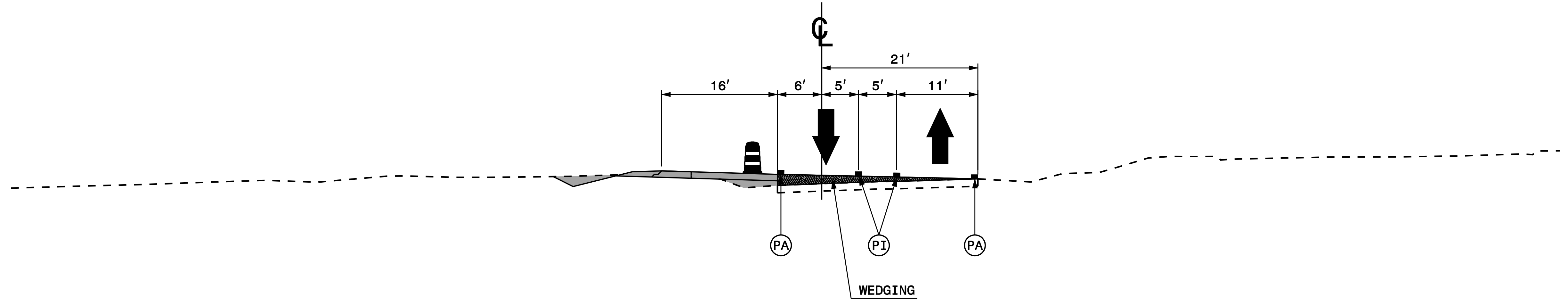




SECTION TMP-5A
-L- STA. 42+00 +/-



SECTION TMP-5B
-Y7- STA. 20+00 +/-

<p>PLAN PREPARED IN THE OFFICE OF:</p> <p>PROGRESSIVE DESIGN GROUP, INC.</p> <p>ENGINEERS • CONSULTANTS</p>	<p>APPROVED: <i>[Signature]</i> DATE: 3/9/2017</p> <p>SEAL</p> 		<p>TRANSPORTATION MANAGEMENT PLAN CROSS SECTIONS PHASE I</p>
--	--	---	--