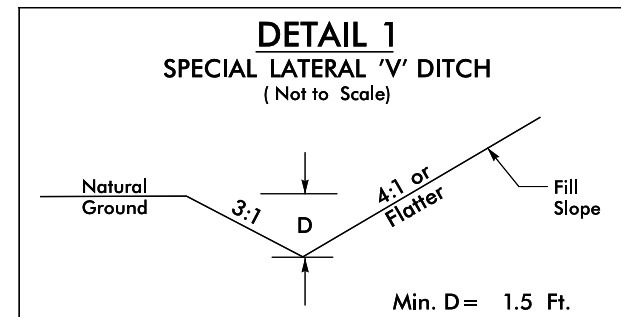


**DOCUMENT NOT CONSIDERED FINAL
UNLESS ALL SIGNATURES COMPLETED**

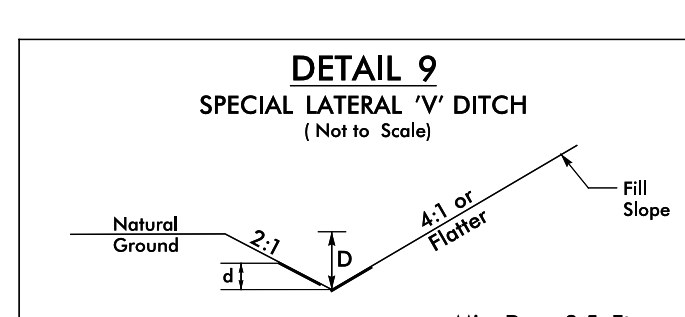
DETAILS



DETAIL 1
SPECIAL LATERAL "V" DITCH
(Not to Scale)

Min. D = 1.5 Ft.

FROM STA. 10+00 TO STA. 14+33 -L- RT
FROM STA. 10+83 TO STA. 13+00 -RPA- RT
FROM STA. 13+50 TO STA. 17+00 -RPB- RT
FROM STA. 19+50 TO STA. 20+68 -RPB- LT
FROM STA. 13+00 TO STA. 16+50 -RPC- LT
FROM STA. 59+60 TO STA. 61+36.6 -L- LT
FROM STA. 62+85 TO STA. 64+50 -L- LT
FROM STA. 11+00 TO STA. 12+90 -Y19- LT

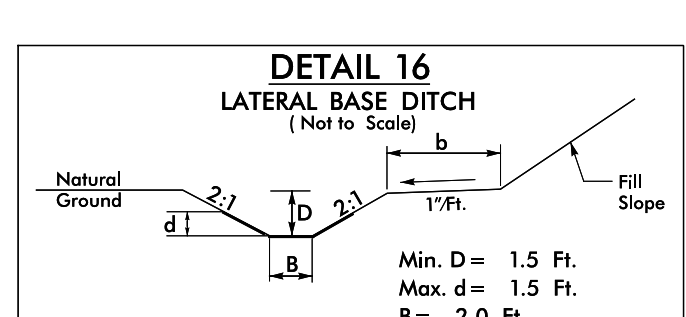


DETAIL 9
SPECIAL LATERAL "V" DITCH
(Not to Scale)

Min. D = 2.5 Ft.
Max. d = 2.5 Ft.

Type of Liner = PSRM

FROM STA. 16+00 TO STA. 17+13 -Y6A- LT
FROM STA. 29+15 TO STA. 31+00 -Y7A- RT

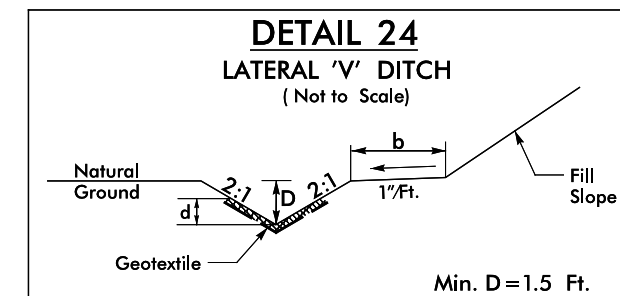


DETAIL 16
LATERAL "V" DITCH
(Not to Scale)

Min. D = 1.5 Ft.
Max. d = 1.5 Ft.
B = 2.0 Ft.
b = 5.0 Ft.

Type of Liner = PSRM

FROM STA. 94+00 TO STA. 95+00 -L- LT

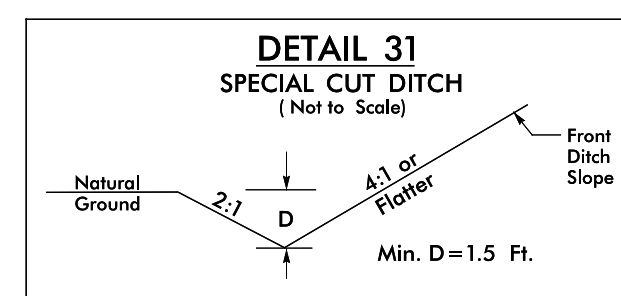


DETAIL 24
LATERAL "V" DITCH
(Not to Scale)

Min. D = 1.5 Ft.
Max. d = 1.5 Ft.
b = 5 Ft.

Type of Liner = CL 'B' Rip-Rap

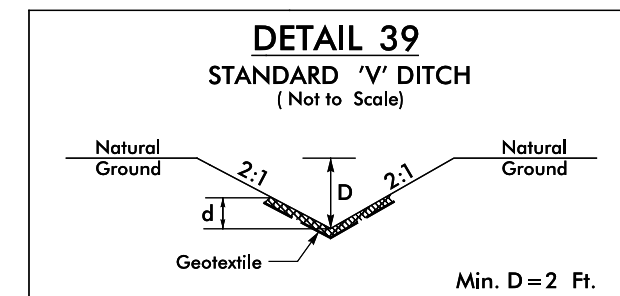
FROM STA. 68+50 TO STA. 69+65 -L- LT
FROM STA. 70+68 TO STA. 72+00 -L- LT
FROM STA. 84+50 TO STA. 84+93 -L- LT
FROM STA. 85+50 TO STA. 86+60 -L- RT
FROM STA. 126+00 TO STA. 126+95 -L- LT



DETAIL 31
SPECIAL CUT DITCH
(Not to Scale)

Min. D = 1.5 Ft.

FROM STA. 26+00 TO STA. 28+25 -Y6- LT
FROM STA. 11+62 TO STA. 14+25 -Y16- LT
FROM STA. 14+25 TO STA. 20+15 -Y16- LT
FROM STA. 19+00 TO STA. 20+15 -Y16- RT
FROM STA. 20+15 TO STA. 21+00 -Y16- RT
FROM STA. 40+50 TO STA. 42+50 -Y16- LT
FROM STA. 45+00 TO STA. 46+02 -Y16- LT
FROM STA. 45+00 TO STA. 46+06 -Y16- RT
FROM STA. 20+00 TO STA. 21+00 -Y20- RT
FROM STA. 18+50 TO STA. 19+20 -Y20- LT
FROM STA. 16+50 TO STA. 17+50 -Y20- LT
FROM STA. 09+70 TO STA. 12+00 -Y20- RT
FROM STA. 26+50 TO STA. 30+00 -Y20- LT
FROM STA. 23+50 TO STA. 24+09 -Y16RPA- RT

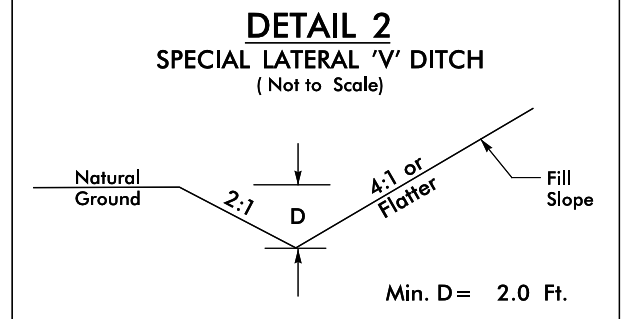


DETAIL 39
STANDARD "V" DITCH
(Not to Scale)

Min. D = 2 Ft.
Max. d = 2 Ft.

Type of Liner = Class 'B' Rip-Rap

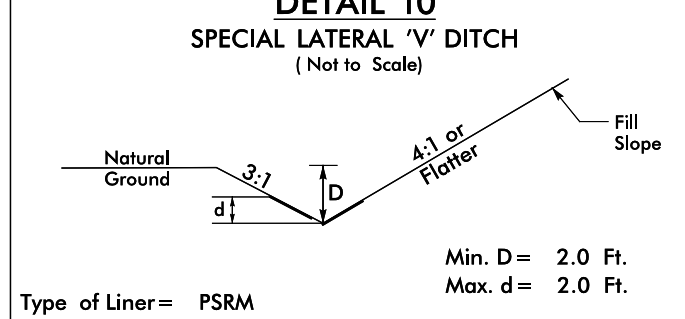
FROM STA. 154+50 TO STA. 154+92 -L- RT
FROM STA. 157+66 TO STA. 157+89 -L- RT



DETAIL 2
SPECIAL LATERAL "V" DITCH
(Not to Scale)

Min. D = 2.0 Ft.

FROM STA. 11+50 TO STA. 12+38 -Y5B- LT
FROM STA. 15+00 -RPD- RT TO STA. 19+09 -RPD- SPUR- RT
FROM STA. 31+00 TO STA. 33+50 -Y7A- LT

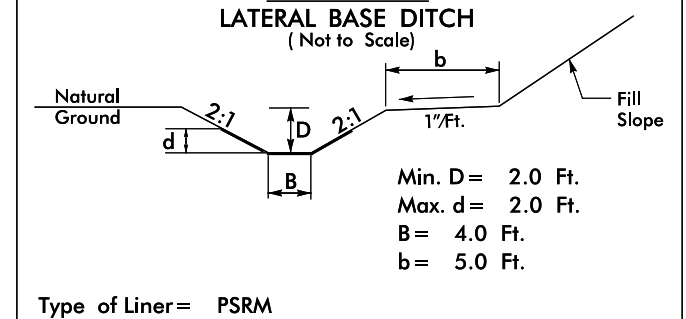


DETAIL 10
SPECIAL LATERAL "V" DITCH
(Not to Scale)

Min. D = 2.0 Ft.
Max. d = 2.0 Ft.

Type of Liner = PSRM

FROM STA. 54+75 TO STA. 61+25 -L- LT
FROM STA. 17+25 TO STA. 18+50 -Y6A- LT
FROM STA. 12+50 TO STA. 14+00 -Y13- LT
FROM STA. 26+00 TO STA. 26+70 -Y16RPA- RT

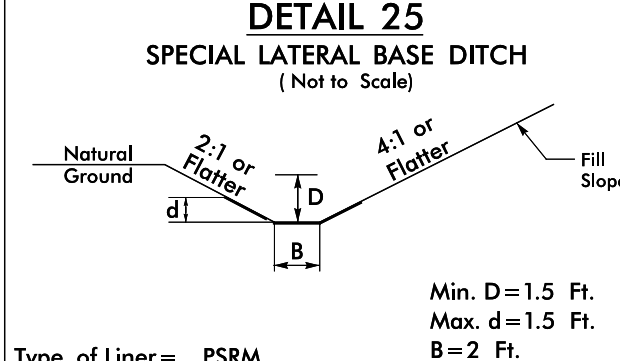


DETAIL 17
LATERAL BASE DITCH
(Not to Scale)

Min. D = 2.0 Ft.
Max. d = 2.0 Ft.
B = 4.0 Ft.
b = 5.0 Ft.

Type of Liner = PSRM

FROM STA. 95+00 TO STA. 97+50 -L- LT

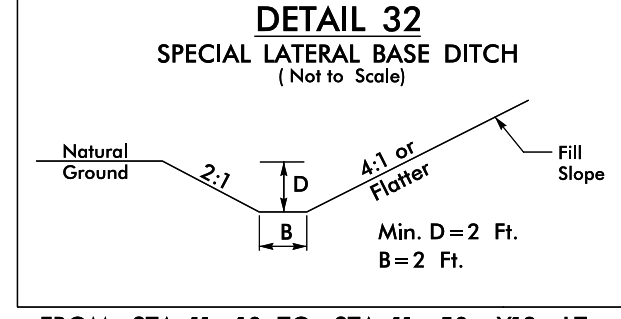


DETAIL 25
SPECIAL LATERAL BASE DITCH
(Not to Scale)

Min. D = 1.5 Ft.
Max. d = 1.5 Ft.
B = 2 Ft.

Type of Liner = PSRM

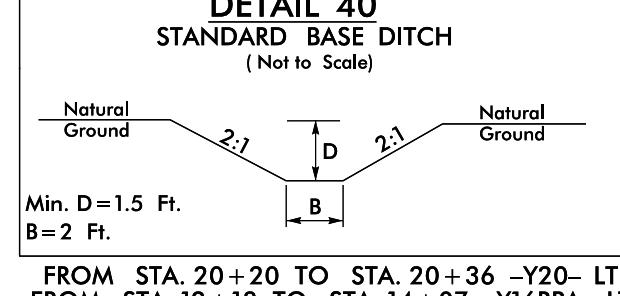
FROM STA. 17+06 TO STA. 17+60 -Y6A- RT
FROM STA. 10+65 TO STA. 13+50 -Y11- LT



DETAIL 32
SPECIAL LATERAL BASE DITCH
(Not to Scale)

Min. D = 2 Ft.
B = 2 Ft.

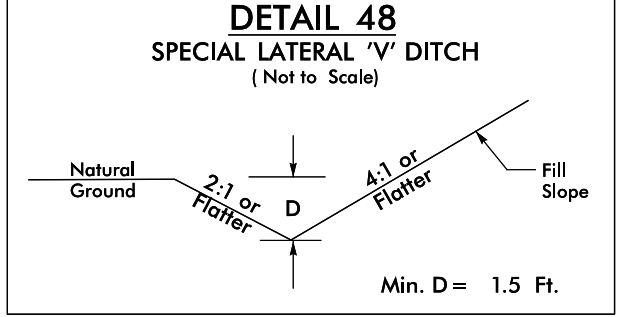
FROM STA. 11+10 TO STA. 11+50 -Y13- LT
FROM STA. 111+10 TO STA. 111+50 -L- RT



DETAIL 40
STANDARD BASE DITCH
(Not to Scale)

Min. D = 1.5 Ft.
B = 2 Ft.

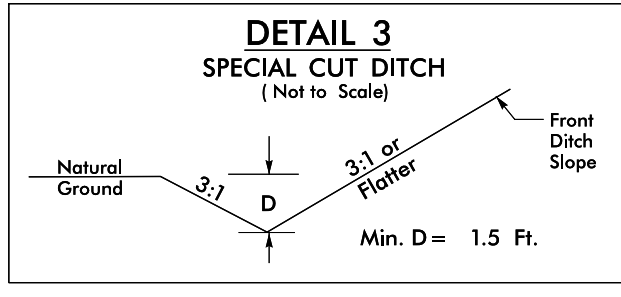
FROM STA. 20+20 TO STA. 20+36 -Y20- LT
FROM STA. 12+18 TO STA. 14+07 -Y16RPA- LT
FROM STA. 25+90 TO STA. 26+04 -Y16RPA- RT
FROM STA. 25+57 TO STA. 26+06 -Y16RPA- LT
FROM STA. 25+99 TO STA. 26+12 -Y16RPA- LT
FROM STA. 32+97 TO STA. 33+38 -Y10- RT
FROM STA. 33+56 TO STA. 33+89 -Y10- LT
FROM STA. 29+06 TO STA. 29+25 -Y7A- RT
FROM STA. 17+30 TO STA. 17+50 -Y11- LT



DETAIL 48
SPECIAL LATERAL "V" DITCH
(Not to Scale)

Min. D = 1.5 Ft.

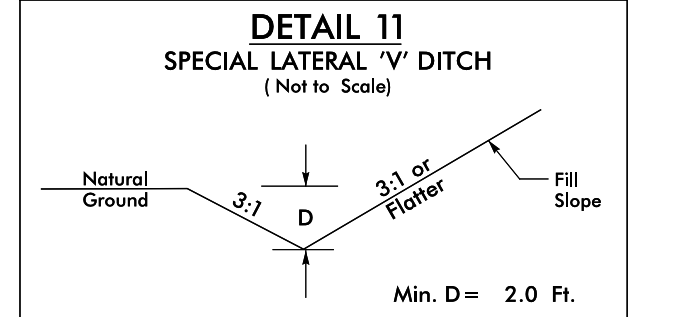
FROM STA. 10+15 TO STA. 11+50 -Y26- RT



DETAIL 3
SPECIAL CUT DITCH
(Not to Scale)

Min. D = 1.5 Ft.

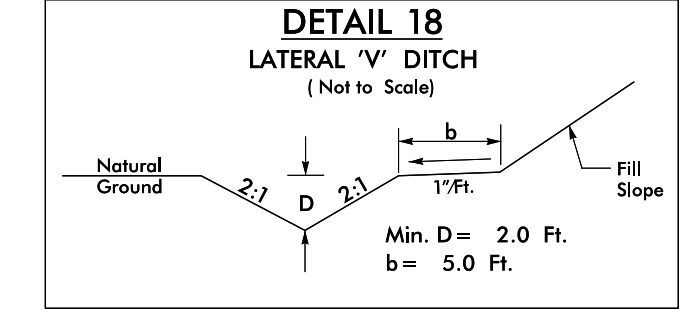
FROM STA. 11+00 TO STA. 13+00 -L- LT
FROM STA. 13+90 TO STA. 14+50 -Y2- RT
FROM STA. 11+68 TO STA. 12+25 -RPC- RT
FROM STA. 14+10 TO STA. 15+00 -Y8- RT
FROM STA. 17+00 TO STA. 17+50 -Y26- RT



DETAIL 11
SPECIAL LATERAL "V" DITCH
(Not to Scale)

Min. D = 2.0 Ft.

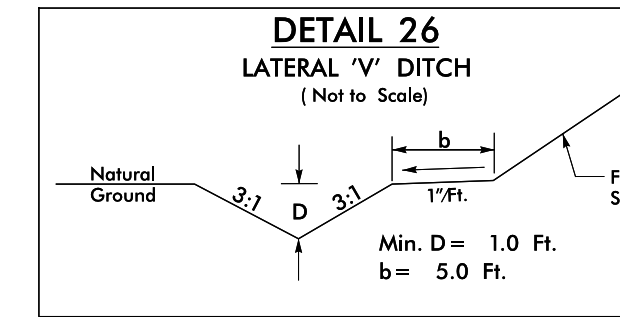
FROM STA. 62+80 TO STA. 64+50 -L- LT



DETAIL 18
LATERAL "V" DITCH
(Not to Scale)

Min. D = 2.0 Ft.
Max. d = 1.5 Ft.
b = 5.0 Ft.

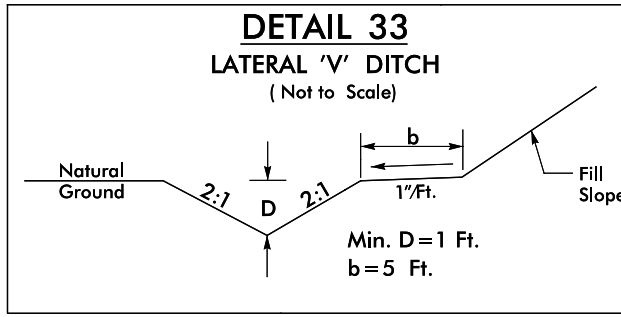
FROM STA. 11+86 TO STA. 13+50 -Y6- LT
FROM STA. 15+15 TO STA. 18+50 -Y6- RT
FROM STA. 132+10 TO STA. 132+22 -L- LT
FROM STA. 154+70 TO STA. 156+25 -L- RT



DETAIL 26
LATERAL "V" DITCH
(Not to Scale)

Min. D = 1.0 Ft.
b = 5.0 Ft.

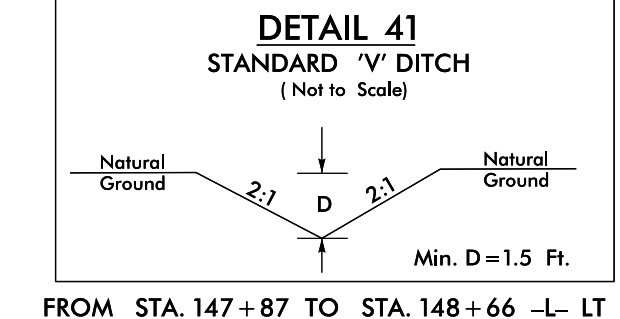
FROM STA. 11+65 TO STA. 12+31 -Y7A- LT
FROM STA. 84+93 TO STA. 85+14 -L- LT



DETAIL 33
LATERAL "V" DITCH
(Not to Scale)

Min. D = 1 Ft.
b = 5 Ft.

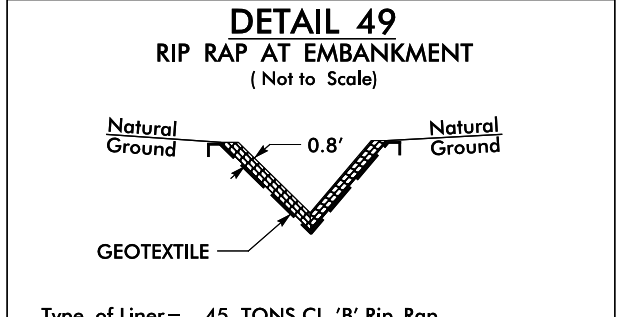
FROM STA. 76+50 TO STA. 78+00 -L- LT



DETAIL 41
STANDARD "V" DITCH
(Not to Scale)

Min. D = 1.5 Ft.

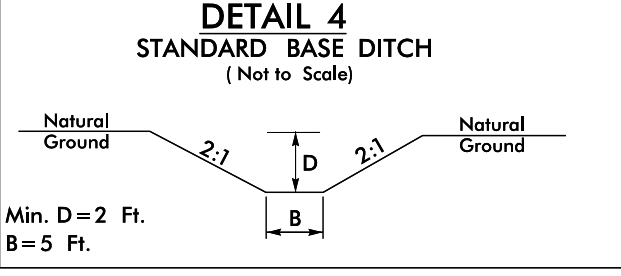
FROM STA. 147+87 TO STA. 148+66 -L- LT



DETAIL 49
RIP RAP AT EMBANKMENT
(Not to Scale)

Type of Liner = 45 TONS CL 1 'B' Rip-Rap
Geotextile = 100 sy

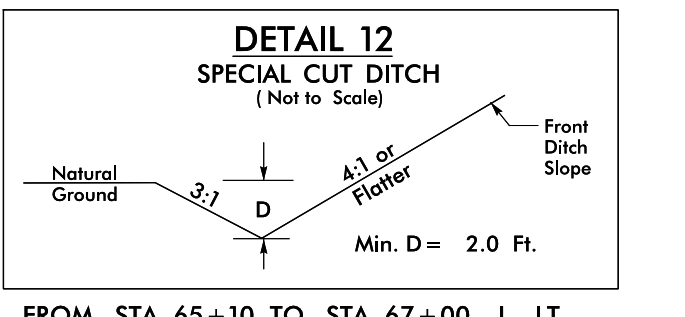
FROM STA. 61+37 TO STA. 62+53 -L- LT



DETAIL 4
STANDARD BASE DITCH
(Not to Scale)

Min. D = 2 Ft.
B = 5 Ft.

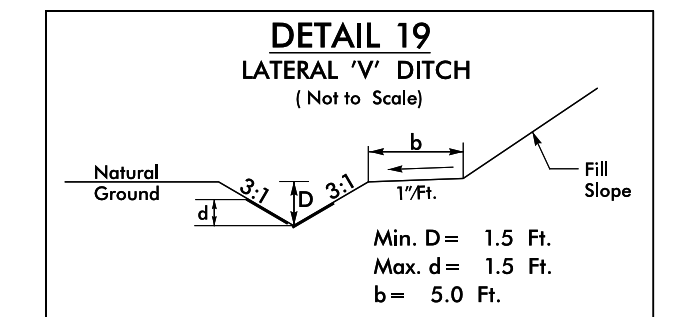
FROM STA. 11+45 TO STA. 11+67 -Y7A- LT
FROM STA. 126+21 TO STA. 126+40 -L- RT
FROM STA. 127+17 TO STA. 127+45 -L- LT



DETAIL 12
SPECIAL CUT DITCH
(Not to Scale)

Min. D = 2.0 Ft.

FROM STA. 65+10 TO STA. 67+00 -L- LT
FROM STA. 17+00 TO STA. 18+70 -RPD- LT

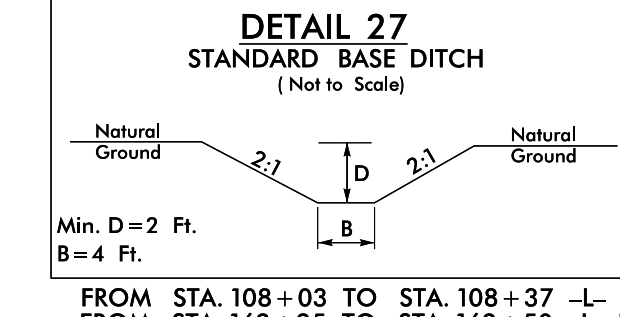


DETAIL 19
LATERAL "V" DITCH
(Not to Scale)

Min. D = 1.5 Ft.
Max. d = 1.5 Ft.
b = 5.0 Ft.

Type of Liner = PSRM

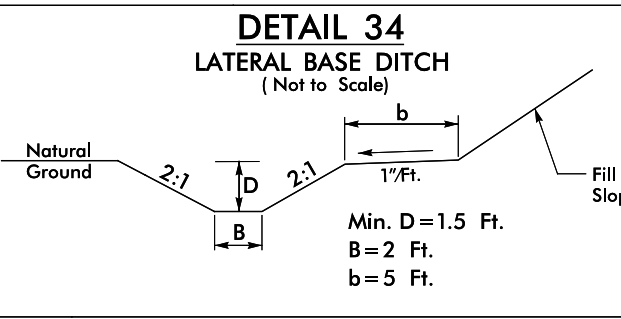
FROM STA. 13+50 TO STA. 15+60 -Y6- LT
FROM STA. 16+79 TO STA. 18+50 -Y6- LT



DETAIL 27
STANDARD BASE DITCH
(Not to Scale)

Min. D = 2 Ft.
B = 4 Ft.

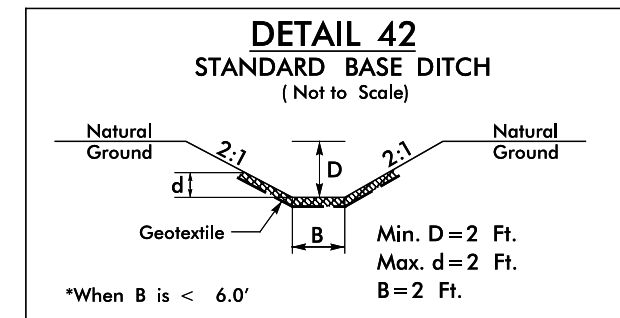
FROM STA. 108+03 TO STA. 108+37 -L- LT
FROM STA. 162+25 TO STA. 162+50 -L- RT



DETAIL 34
LATERAL BASE DITCH
(Not to Scale)

Min. D = 1.5 Ft.
B = 2 Ft.
b = 5 Ft.

FROM STA. 162+25 TO STA. 162+35 -L- RT



DETAIL 42
STANDARD BASE DITCH
(Not to Scale)

Min. D = 2 Ft.
Max. d = 2 Ft.
B = 2 Ft.

*When B is < 6.0'

Type of Liner = Class 'B' Rip-Rap

FROM STA. 23+70 TO STA. 24+28 -Y16RPA- RT

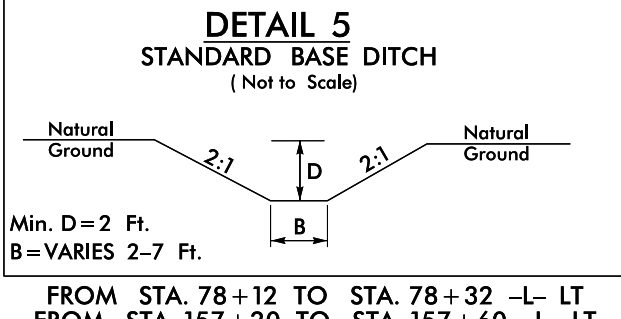


DETAIL 43
SPECIAL CUT DITCH
(Not to Scale)

Min. D = 1.5 Ft.
Max. d = 1.5 Ft.

Type of Liner = PSRM

FROM STA. 19+50 TO STA. 20+00 -Y20- RT
FROM STA. 32+00 TO STA. 33+10 -Y20- RT



DETAIL 5
STANDARD BASE DITCH
(Not to Scale)

Min. D = 2 Ft.
B = VARIES 2-7 Ft.

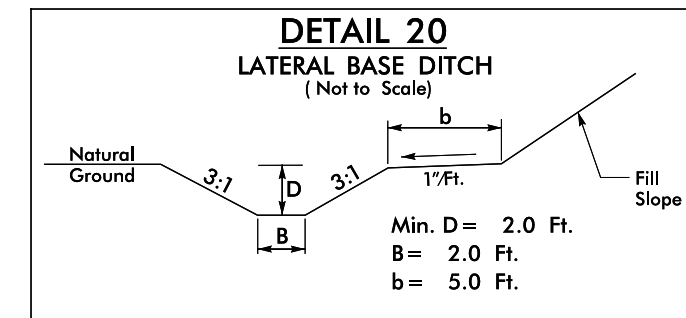
FROM STA. 78+12 TO STA. 78+32 -L- LT
FROM STA. 157+20 TO STA. 157+60 -L- LT



DETAIL 14
LATERAL "V" DITCH
(Not to Scale)

Min. D = 2.0 Ft.
B = 2.0 Ft.
b = 5.0 Ft.

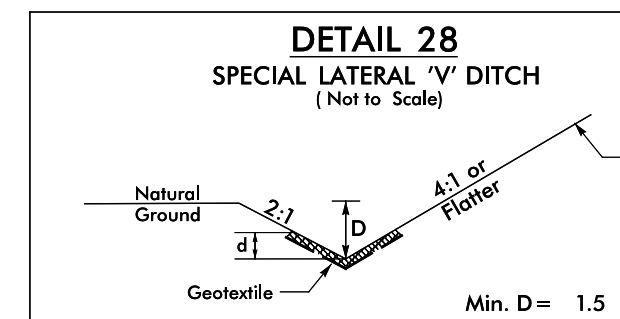
FROM STA. 15+67 TO STA. 16+55 -Y6- LT
FROM STA. 62+85 TO STA. 63+00 -L- LT
FROM STA. 179+03 TO STA. 180+00 -L- RT
FROM STA. 19+45 TO STA. 20+40 -Y10- LT



DETAIL 20
LATERAL BASE DITCH
(Not to Scale)

Min. D = 2.0 Ft.
B = 2.0 Ft.
b = 5.0 Ft.

FROM STA. 15+67 TO STA. 16+55 -Y6- LT
FROM STA. 62+85 TO STA. 63+00 -L- LT
FROM STA. 179+03 TO STA. 180+00 -L- RT
FROM STA. 19+45 TO STA. 20+40 -Y10- LT

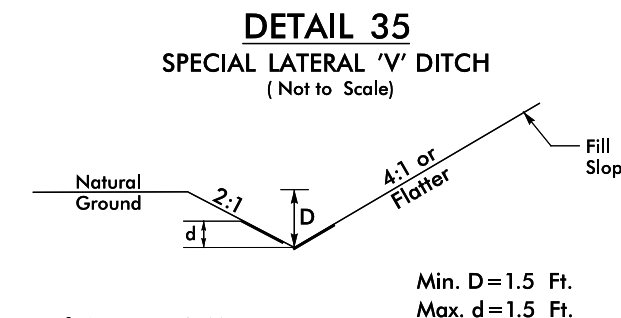


DETAIL 28
SPECIAL LATERAL "V" DITCH
(Not to Scale)

Min. D = 1.5 Ft.
Max. d = 1.5 Ft.

Type of Liner = Class 'B' Rip-Rap

FROM STA. 29+70 TO STA. 31+00 -Y7A- LT
FROM STA. 22+50 TO STA. 24+00 -Y10- LT
FROM STA. 11+00 TO STA. 14+00 -Y13- RT
FROM STA. 32+33 TO STA. 32+60 -Y20- LT

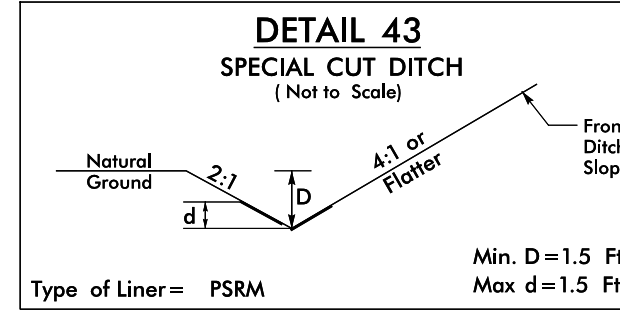


DETAIL 35
SPECIAL LATERAL "V" DITCH
(Not to Scale)

Min. D = 1.5 Ft.
Max. d = 1.5 Ft.

Type of Liner = PSRM

FROM STA. 12+40 TO STA. 12+70 -Y19- RT
FROM STA. 32+50 TO STA. 33+65 -Y10- LT
FROM STA. 36+50 TO STA. 37+00 -Y10- LT

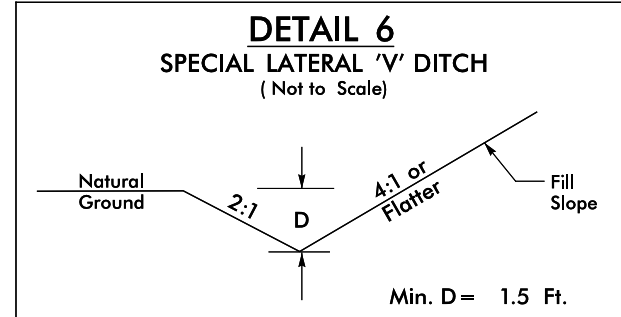


DETAIL 44
TOE PROTECTION
(Not to Scale)

Min. D = 1.5 Ft.
Max. d = 1.5 Ft.

Type of Liner = Class 'B' Rip-Rap

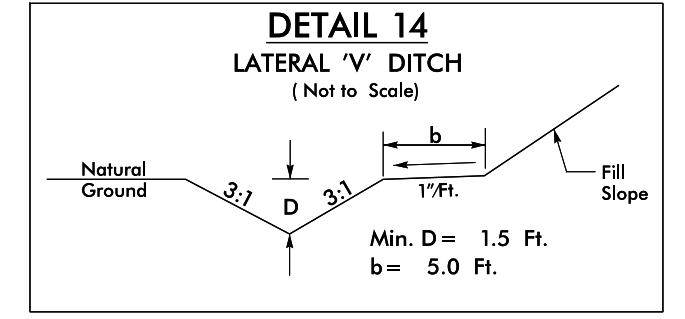
FROM STA. 126+34 TO STA. 128+50 -L- RT
FROM STA. 131+50 TO STA. 133+96 -L- RT



DETAIL 6
SPECIAL LATERAL "V" DITCH
(Not to Scale)

Min. D = 1.5 Ft.

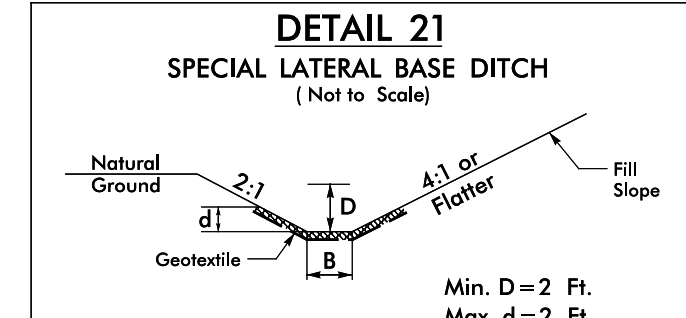
FROM STA. 15+00 TO STA. 18+50 -Y13- RT
FROM STA. 17+15 TO STA. 18+00 -Y13- LT
FROM STA. 10+75 TO STA. 12+40 -Y19- RT
FROM STA. 31+50 TO STA. 32+27 -Y16- RT
FROM STA. 32+27 TO STA. 33+50 -Y16- RT
FROM STA. 33+10 TO STA. 34+50 -Y16- LT
FROM STA. 19+88 TO STA. 20+25 -Y20- LT
FROM STA. 10+15 TO STA. 12+50 -Y26- LT
FROM STA. 29+00 TO STA. 32+00 -Y10- LT
FROM STA. 33+75 TO STA. 35+50 -Y10- LT
FROM STA. 36+00 TO STA. 36+80 -Y10- RT
FROM STA. 13+50 TO STA. 14+50 -Y11- LT
FROM STA. 18+00 TO STA. 19+50 -Y16RPA- RT
FROM STA. 32+60 TO STA. 33+58 -Y20- LT
FROM STA. 33+10 TO STA. 34+22 -Y20- RT



DETAIL 15
LATERAL BASE DITCH
(Not to Scale)

Min. D = 1.5 Ft.
b = 5.0 Ft.

FROM STA. 69+95 TO STA. 70+75 -L- RT
FROM STA. 69+95 TO STA. 70+10 -L- LT
FROM STA. 70+10 TO STA. 70+68 -L- LT
FROM STA. 96+50 TO STA. 96+80 -L- RT
FROM STA. 10+95 TO STA. 11+56 -Y7A- LT
FROM STA. 125+36 TO STA. 126+20 -L- RT
FROM STA. 126+95 TO STA. 127+30 -L- LT
FROM STA. 132+22 TO STA. 133+32 -L- LT
FROM STA. 157+77 TO STA. 158+75 -L- RT
FROM STA. 182+25 TO STA. 188+00 -L- RT

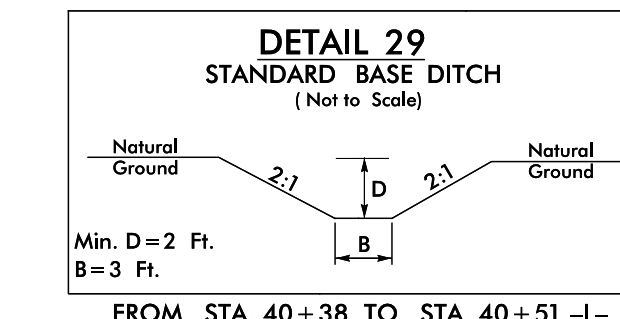


DETAIL 21
SPECIAL LATERAL BASE DITCH
(Not to Scale)

Min. D = 2 Ft.
Max. d = 2 Ft.
B = 2 Ft.

Type of Liner = CL 'B' Rip-Rap

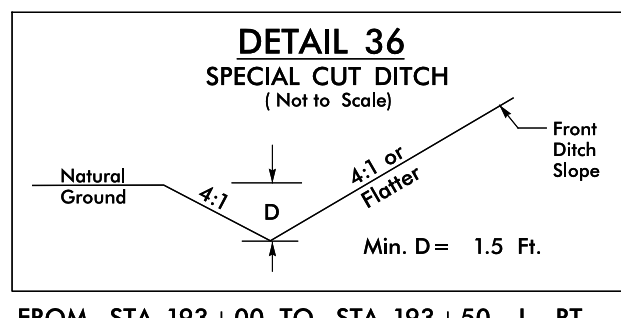
FROM STA. 58+25 TO STA. 59+60 -L- LT
FROM STA. 20+00 TO STA. 21+05 -Y16RPA- LT



DETAIL 29
STANDARD BASE DITCH
(Not to Scale)

Min. D = 2 Ft.
B = 3 Ft.

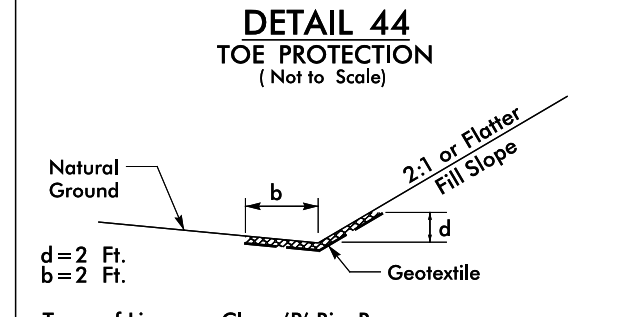
FROM STA. 40+38 TO STA. 40+51 -L- RT
FROM STA. 16+84 TO STA. 17+10 -Y6A- RT
FROM STA. 17+14 TO STA. 17+30 -Y6A- LT
FROM STA. 15+05 TO STA. 15+24 -Y6- RT
FROM STA. 15+54 TO STA. 15+84 -Y6- LT
FROM STA. 65+40 TO STA. 65+67 -L- RT
FROM STA. 70+00 TO STA. 70+20 -L- LT
FROM STA. 70+66 TO STA. 70+89 -L- RT
FROM STA. 85+05 TO STA. 85+33 -L- LT
FROM STA. 86+55 TO STA. 86+72 -L- RT
FROM STA. 28+48 TO STA. 29+34 -Y10- RT
FROM STA. 30+45 TO STA. 31+58 -Y10- RT
FROM STA. 17+81 TO STA. 18+06 -Y16RPA- RT
FROM STA. 20+93 TO STA. 21+38 -Y16RPA- LT



DETAIL 36
SPECIAL CUT DITCH
(Not to Scale)

Min. D = 1.5 Ft.

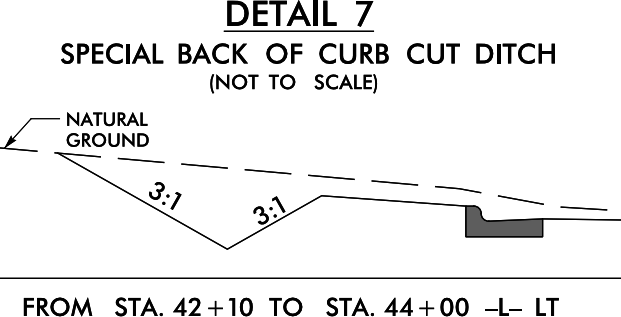
FROM STA. 193+00 TO STA. 193+50 -L- RT
FROM STA. 24+61 TO STA. 25+00 -Y20- RT
FROM STA. 24+00 TO STA. 25+60 -Y16RPA- LT
FROM STA. 21+50 TO STA. 22+50 -Y20- LT



DETAIL 45
SPECIAL CUT DITCH
(Not to Scale)

Min. D = 1.5 Ft.

FROM STA. 16+00 TO STA. 17+32 -L- LT



DETAIL 7
SPECIAL BACK OF CURB CUT DITCH
(NOT TO SCALE)

FROM STA. 42+10 TO STA. 44+00 -L- LT
FROM STA. 46+62 TO STA. 49+50 -L- LT
FROM STA. 49+75 TO STA. 52+20 -L- LT
FROM STA. 60+00 TO STA. 62+37 -L- RT
FROM STA. 65+10 TO STA. 67+00 -L- LT
FROM STA. 17+11 TO STA. 20+50 -Y7- RT
FROM STA. 21+00 TO STA. 21+90 -Y7- RT