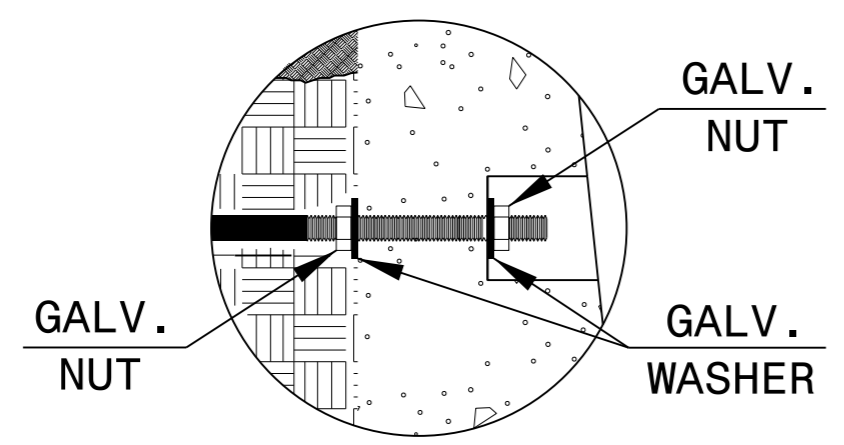


REFER TO STANDARD NO.862.01
SHEET 1 OF 11

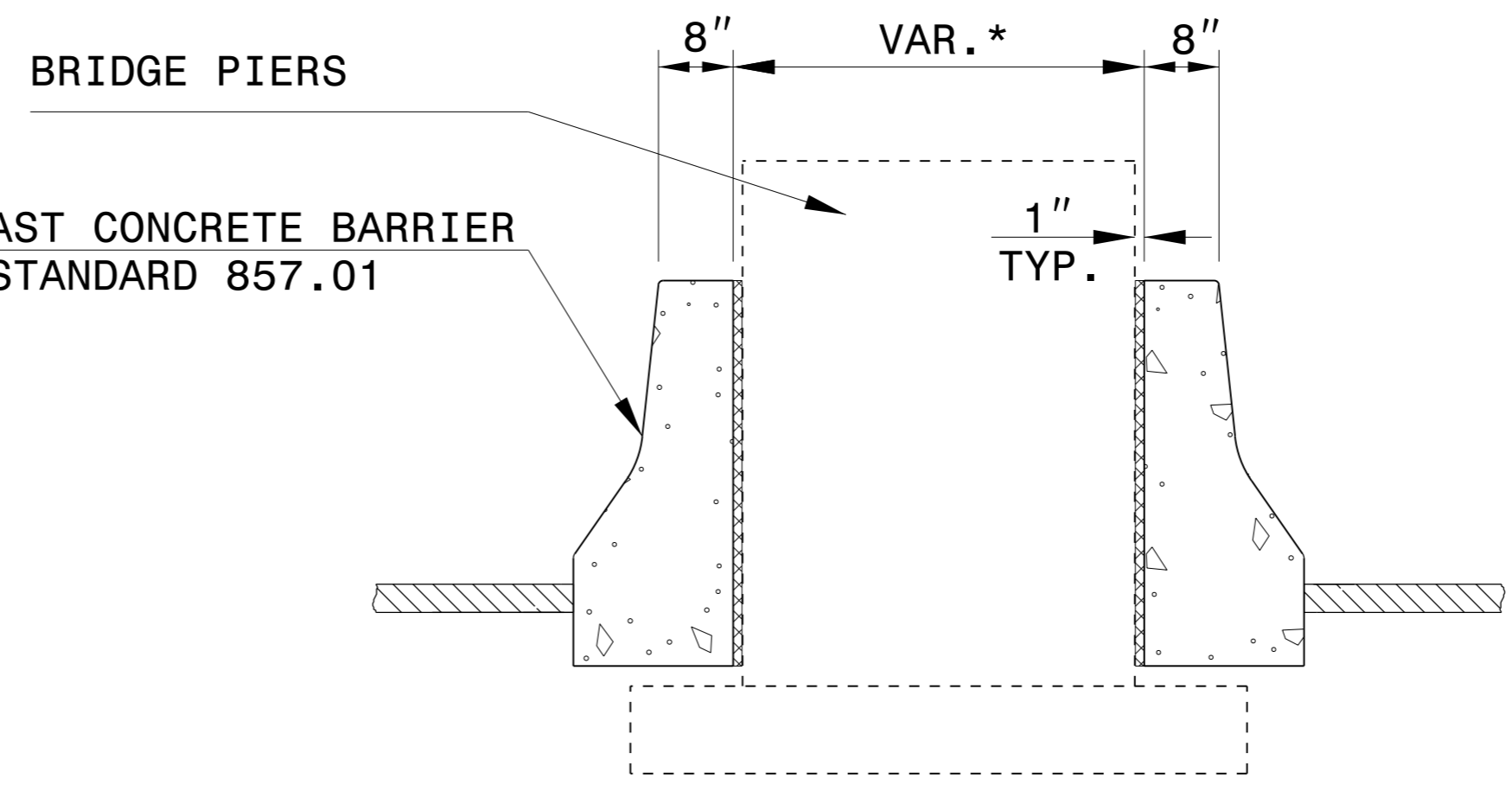
REFER TO STANDARD NO.862.01
SHEET 1 OF 11

SINGLE FACED PRECAST CONCRETE
BARRIER SEE STD. DWG. 857.01

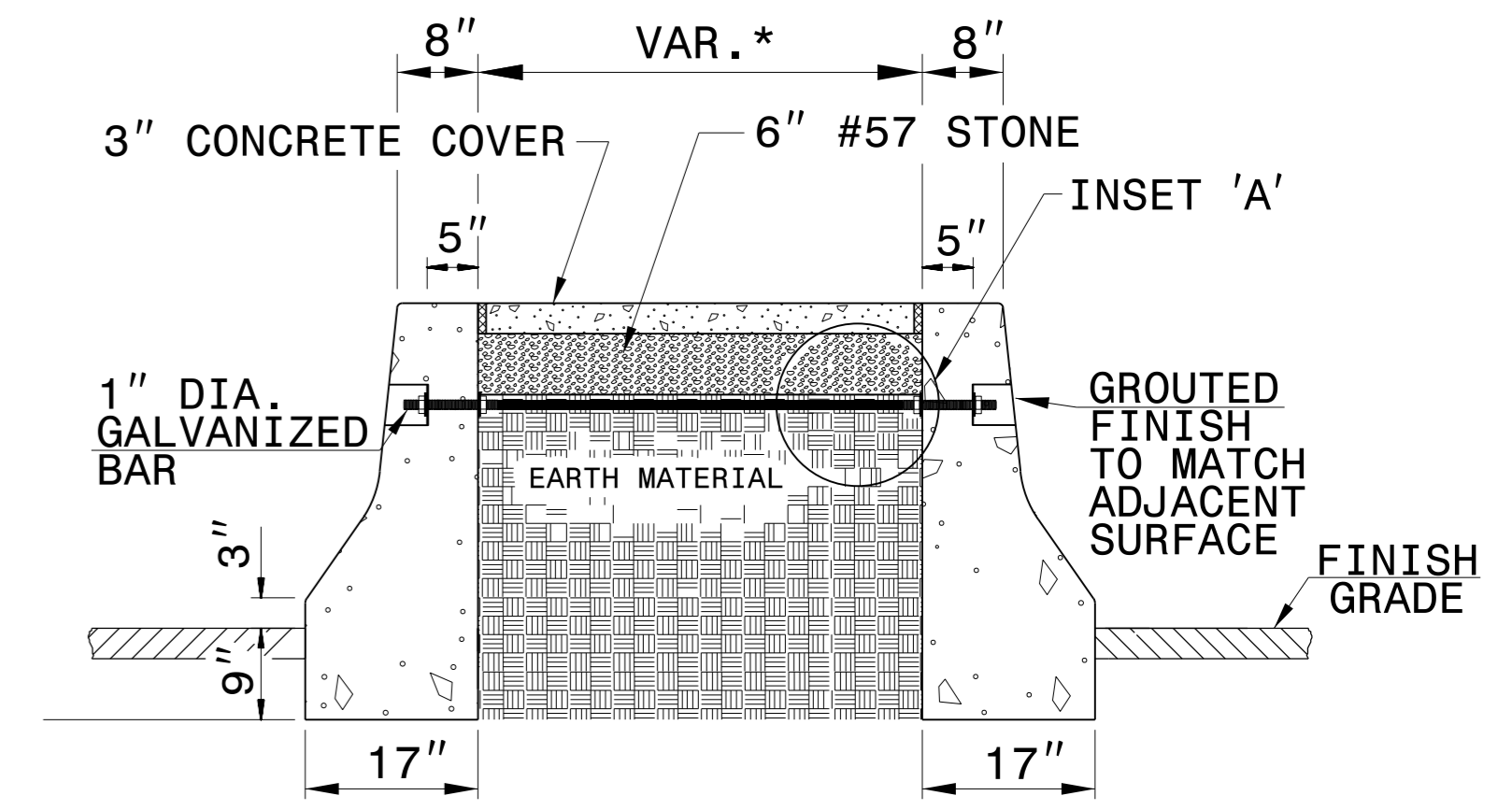
3" CONCRETE COVER



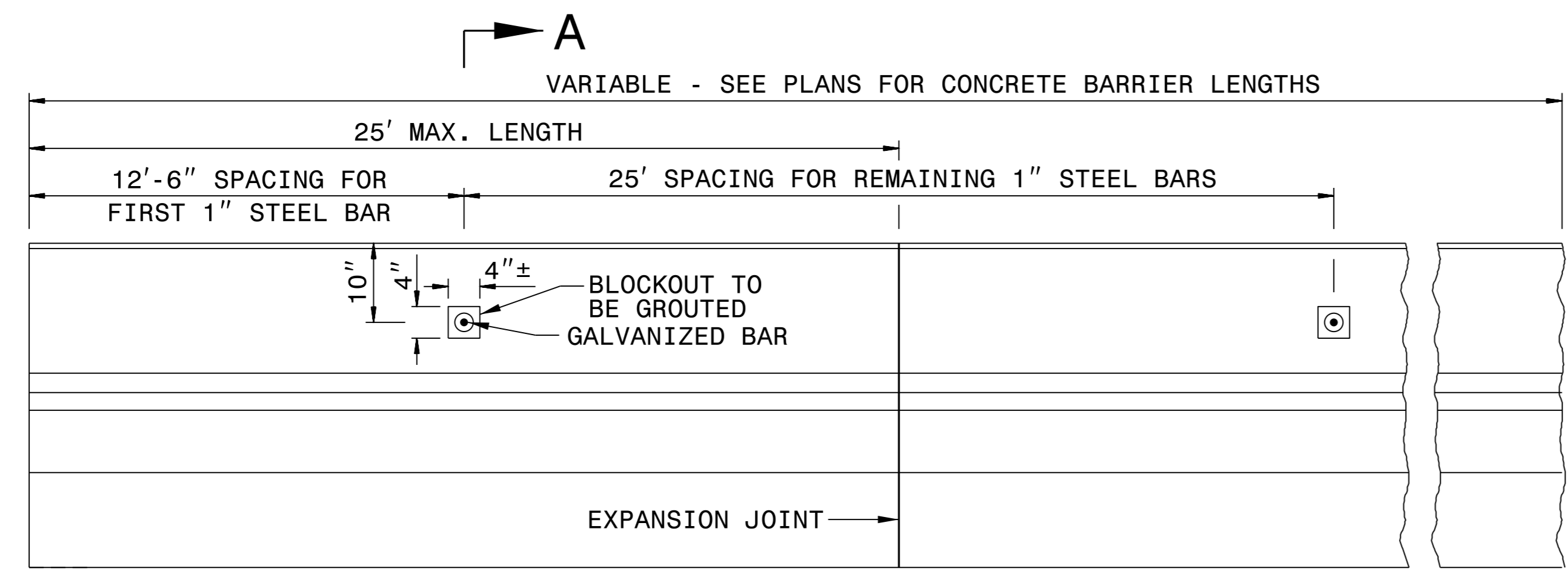
INSET 'A'



SECTION A-A



SECTION B-B



ELEVATION

GENERAL NOTES:

- *THIS DIMENSION MAY VARY DEPENDING ON THE WIDTH OF THE PIER.
- INSET FIRST 1" DIA. GALVANIZED BAR 12'-6" AND SPACE THE REMAINING 1" BARS AT 25'-0".
- USE AN APPROVED BONDING SYSTEM IN ACCORDANCE WITH SECTION 1081-1, TYPE 3A OF THE STANDARD SPECIFICATIONS.
- USE CLASS B CONCRETE FOR THE CONCRETE COVER
- SEAL ALL EXPANSION JOINTS WITH JOINT FILLER (SEE SECTION 1028 OF THE SPECIFICATIONS).
- PLACE A 1" BAR BETWEEN EACH SET OF PIERS

TIME TO CONSTRUCTION USE NAME

3/7/2017

DocuSigned by:
Joel S. Howerton
873F3D7D0C045F...

DOCUMENT NOT CONSIDERED FINAL
UNLESS ALL SIGNATURES COMPLETED

**CONTRACT STANDARDS
AND DEVELOPMENT UNIT**
Office 919-707-6950 FAX 919-250-4119

**DETAIL OF MEDIAN
HAZARD PROTECTION**

ORIGINAL BY: T.S. Spell	DATE: 2-4-10
MODIFIED BY:	DATE:
CHECKED BY:	DATE:
FILE SPEC.: ;howerton\Barrier Cover for Median Hazard Protection	