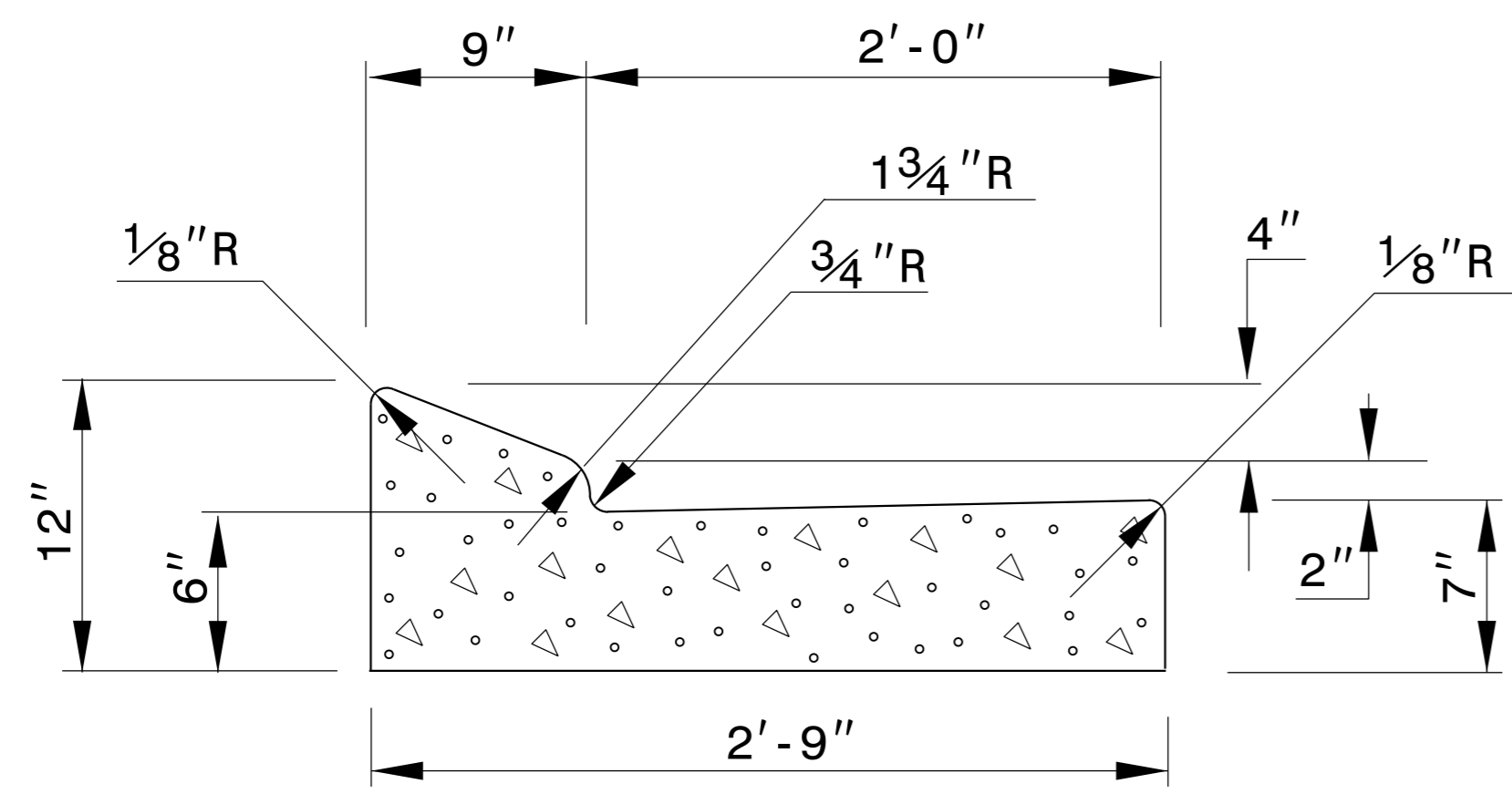
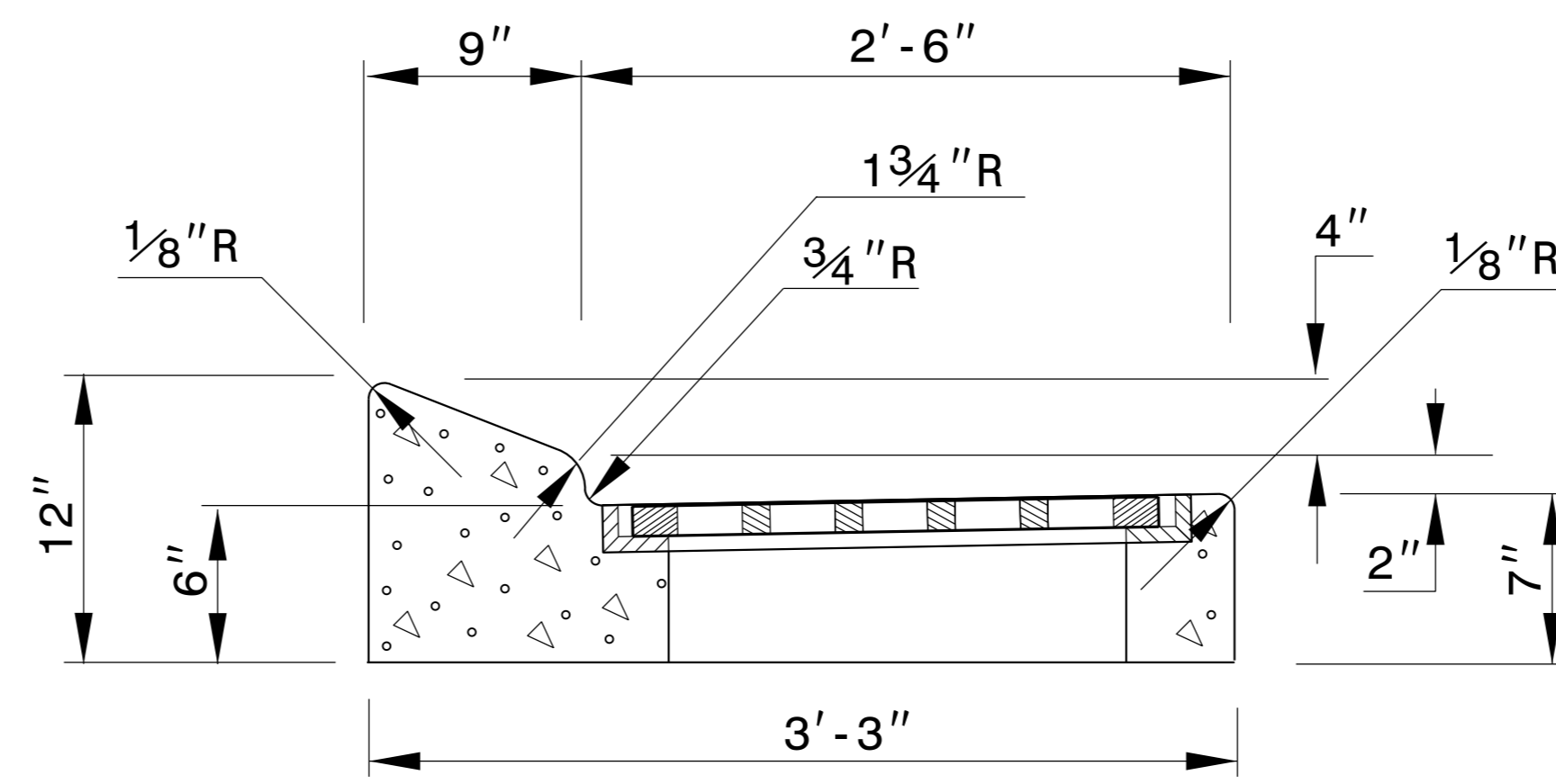


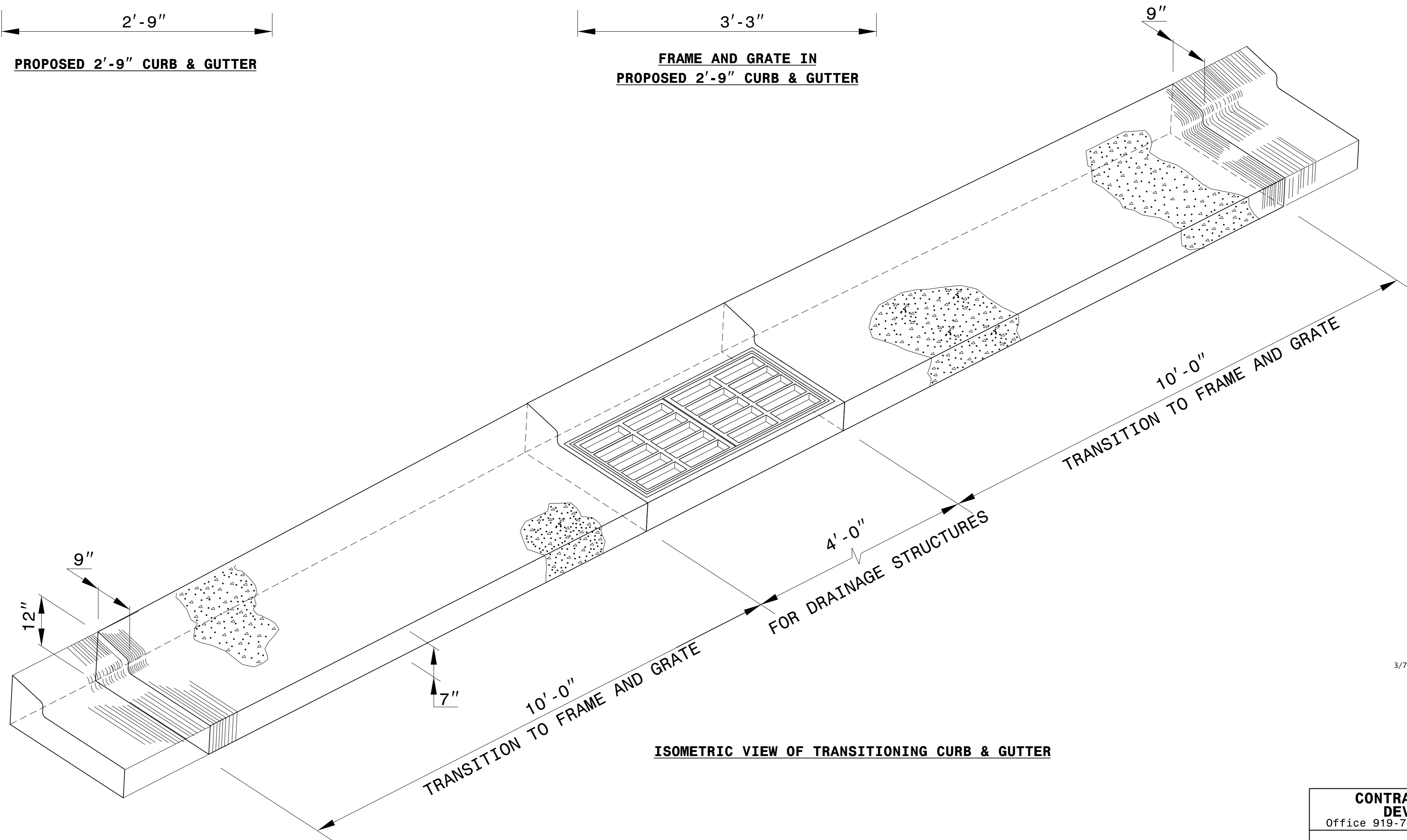
5/14/99



**PROPOSED 2'-9" CURB & GUTTER**



**FRAME AND GRATE IN PROPOSED 2'-9" CURB & GUTTER**



**ISOMETRIC VIEW OF TRANSITIONING CURB & GUTTER**

3/7/2017



DocuSigned by:  
Joel S. Howerton  
873F3D17DCDC45F...

DOCUMENT NOT CONSIDERED FINAL UNLESS ALL SIGNATURES COMPLETED

**CONTRACT STANDARDS AND DEVELOPMENT UNIT**  
Office 919-707-6950 FAX 919-250-4119

**DETAIL OF 2'-9" TO FRAME AND GRATE**

ORIGINAL BY: \_\_\_\_\_ DATE: \_\_\_\_\_  
 MODIFIED BY: \_\_\_\_\_ DATE: \_\_\_\_\_  
 CHECKED BY: \_\_\_\_\_ DATE: \_\_\_\_\_  
 FILE SPEC.: kkempf/english/curb\_gutter\_transition.dgn