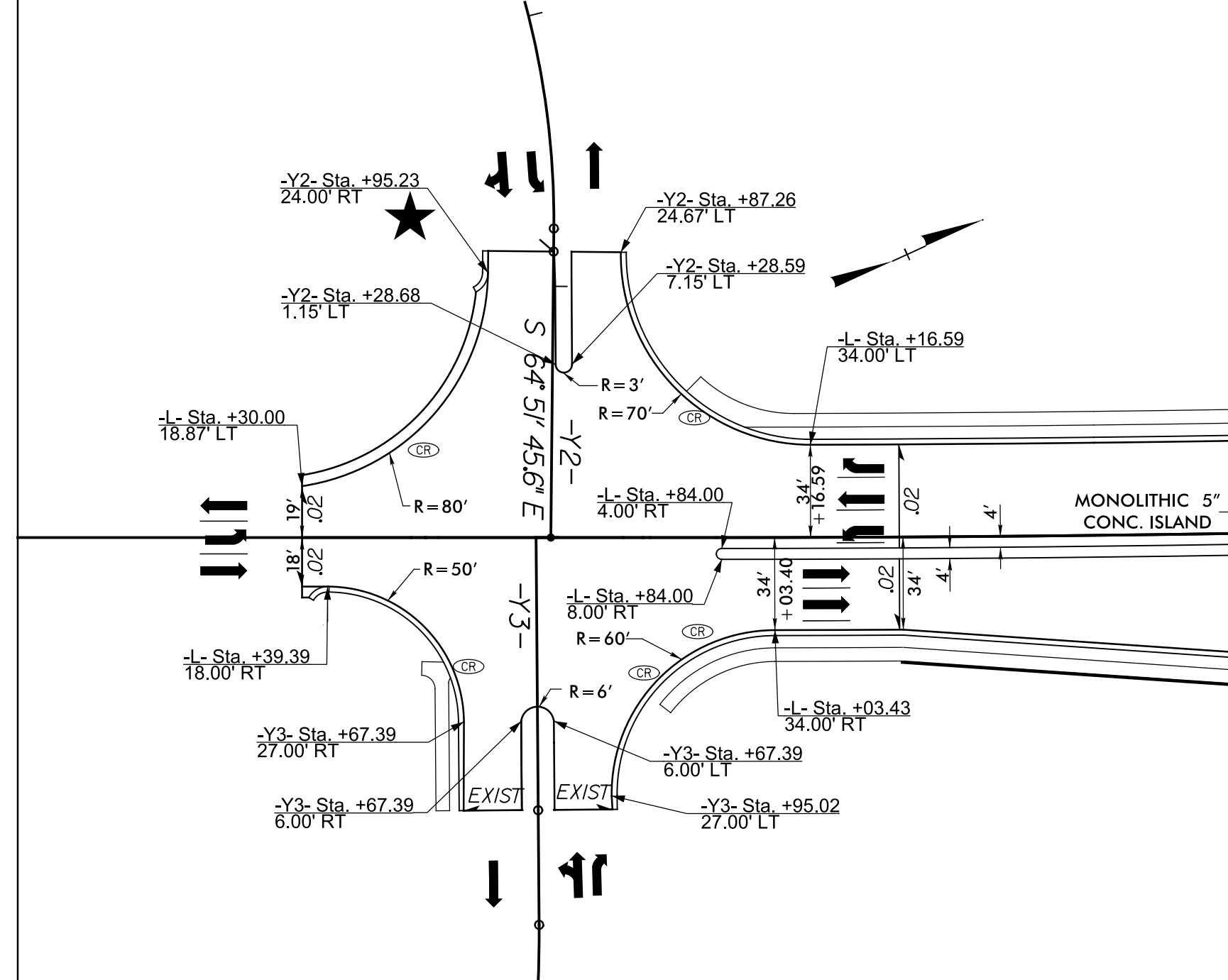


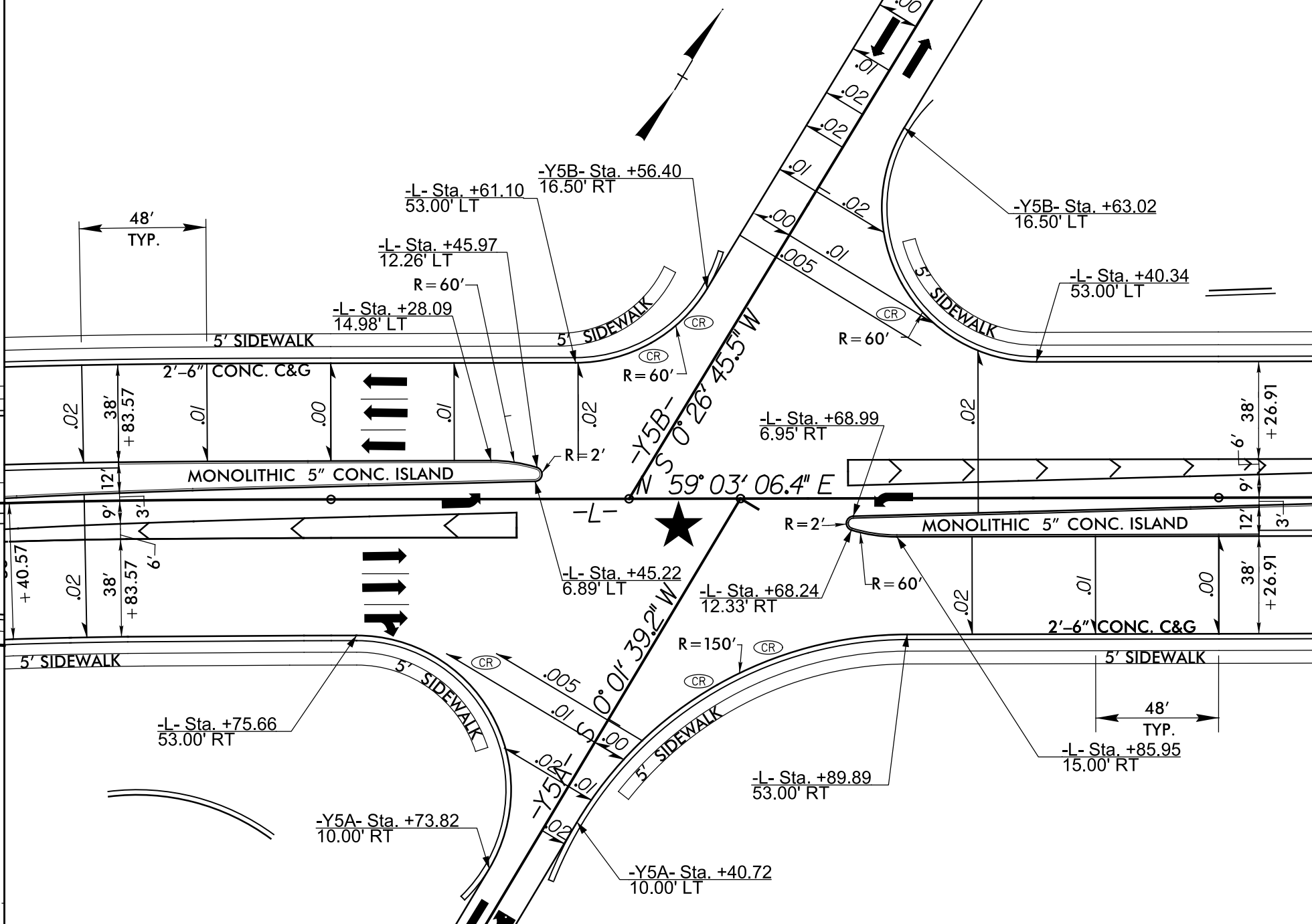
**DOCUMENT NOT CONSIDERED FINAL  
UNLESS ALL SIGNATURES COMPLETED**

# INTERSECTION DETAILS

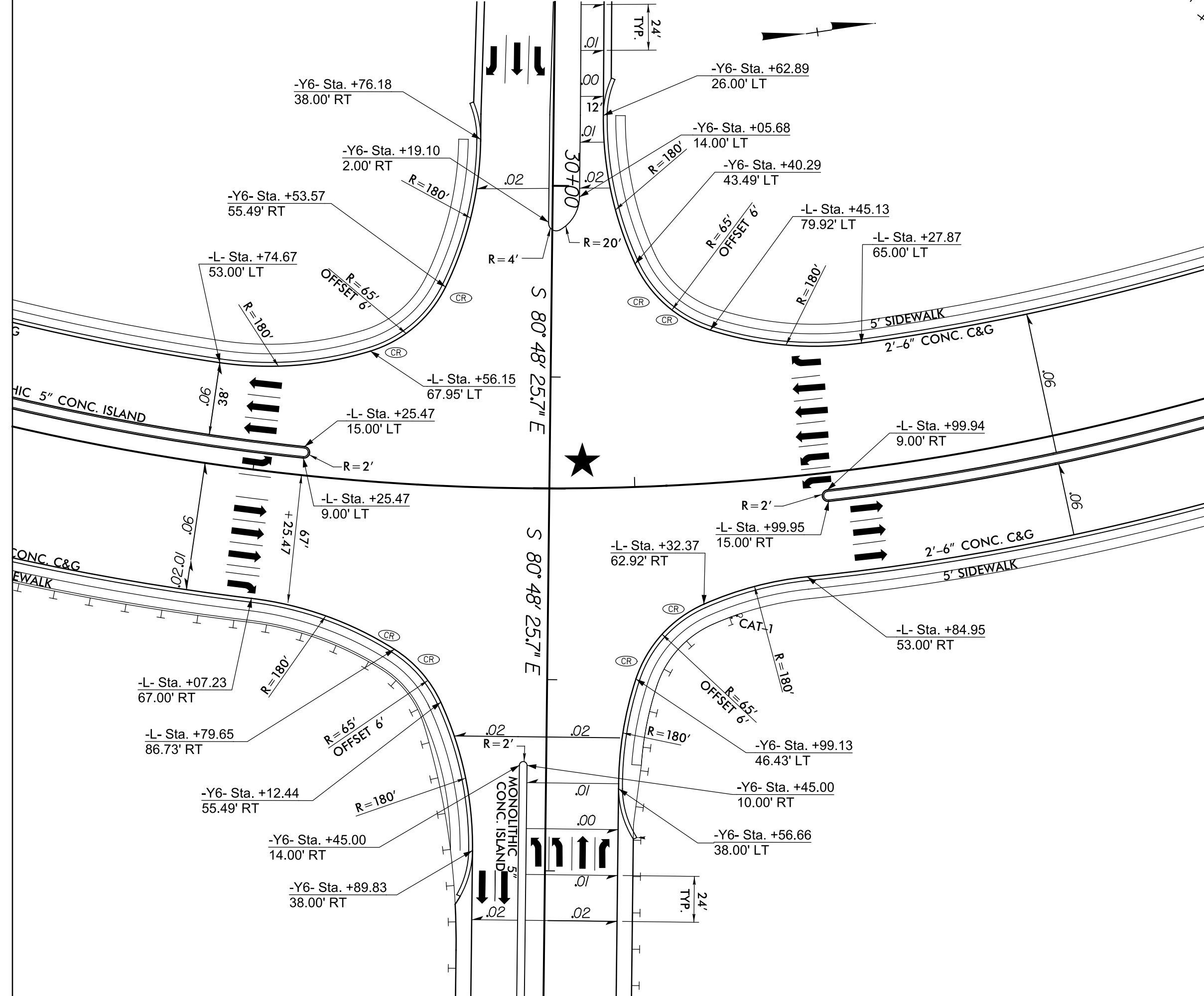
**-Y2-(LOWE'S BLVD), -Y3-(DEERFIELD TRACE) & -L-**



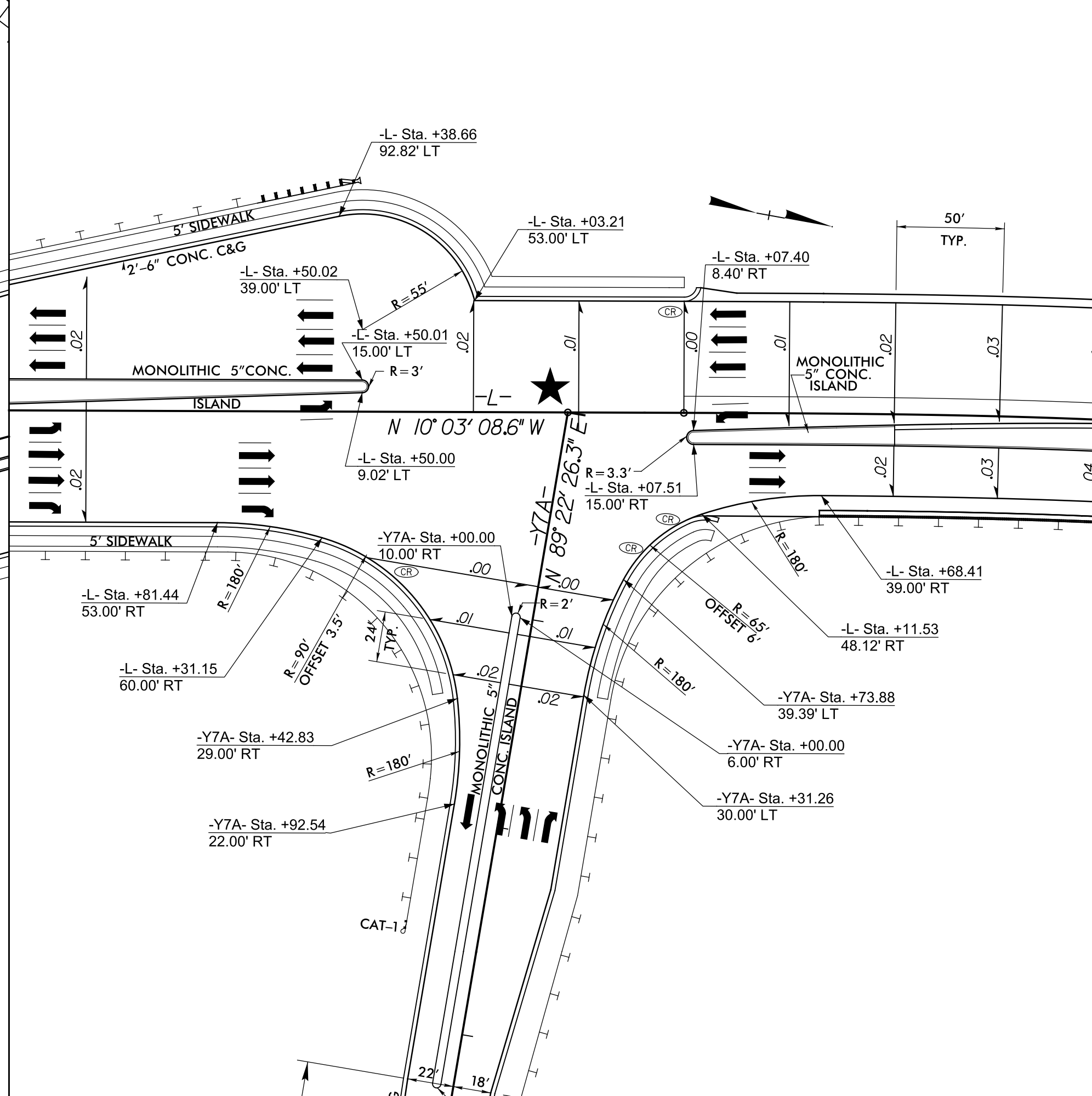
**-Y5A-, -Y5B-(HOLMES RD.) & -L-**



**-Y6-(RELOCATED NC119) & -Y7-(THIRD ST. EXT.)**



**-L- & -Y7A-(THIRD ST. EXT.)**



REVISIONS

5/14/99

R:\24\2017\161451\DWG\161451\161451\_099A\_rdy.psh\_2B-3.DGN  
T:\SFB\161451\161451\_099A\_rdy.psh\_2B-3.DGN