

NOT TO SCALE

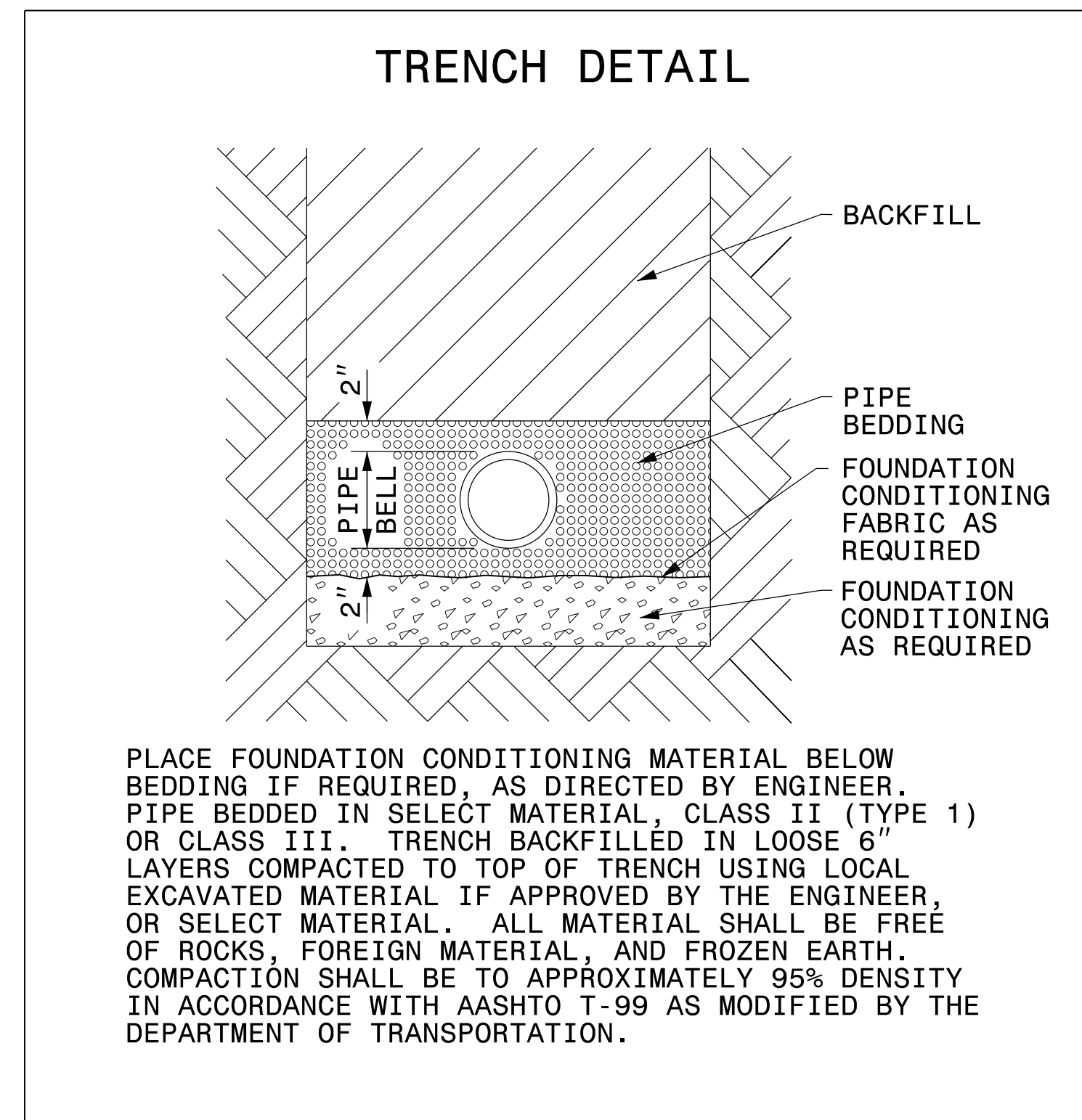


**DOCUMENT NOT CONSIDERED FINAL
UNLESS ALL SIGNATURES COMPLETED**

PROJECT REFERENCE NO. W-5520	SHEET NO. UC-3A
DESIGNED BY: CDB	
DRAWN BY: JNA	
CHECKED BY: CDB	
APPROVED BY: CLS	
REVISED:	
NORTH CAROLINA DEPARTMENT OF TRANSPORTATION 11/15/2016 UTILITY CONSTRUCTION PLANS ONLY	

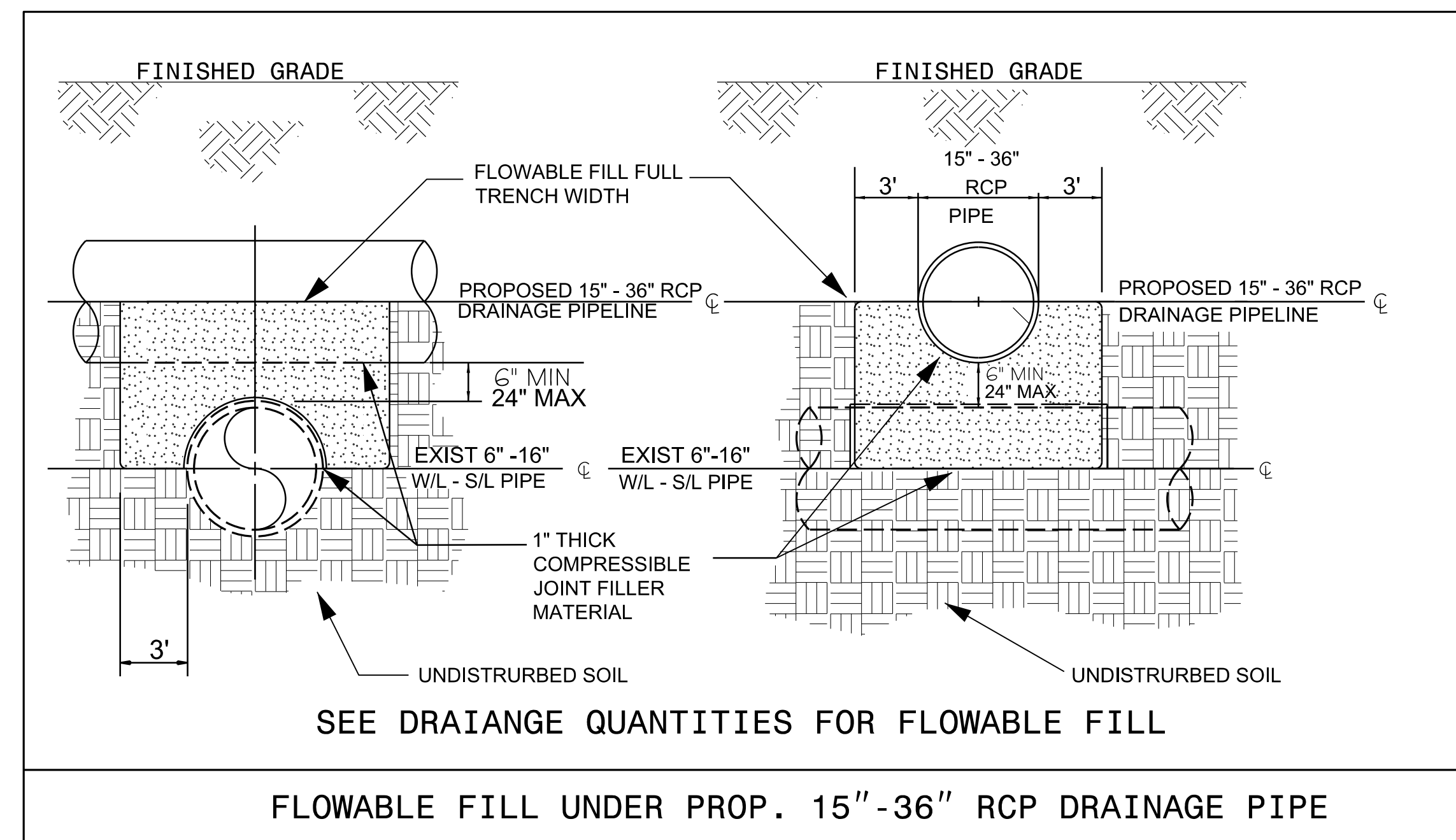
PROJECT TYPICAL DETAILS

UTILITY CONSTRUCTION



MAXIMUM TRENCH WIDTH AT TOP OF PIPE

NOMINAL PIPE SIZE (INCHES)	TRENCH WIDTH (INCHES)	NOMINAL PIPE SIZE (INCHES)	TRENCH WIDTH (INCHES)
4	28	20	44
6	30	24	48
8	32	30	54
10	34	36	60
12	36	42	66
14	38	48	72
16	40	54	78
18	42		



I:\NOV-2016\023\PROJECTS\2013\A2013114.00 DRMP - W-5520 IndianaTrail-US 74\Design\Utilities\Engineering\UC\Proj\W5520_ut_dtl_UC03A_psh.dgn