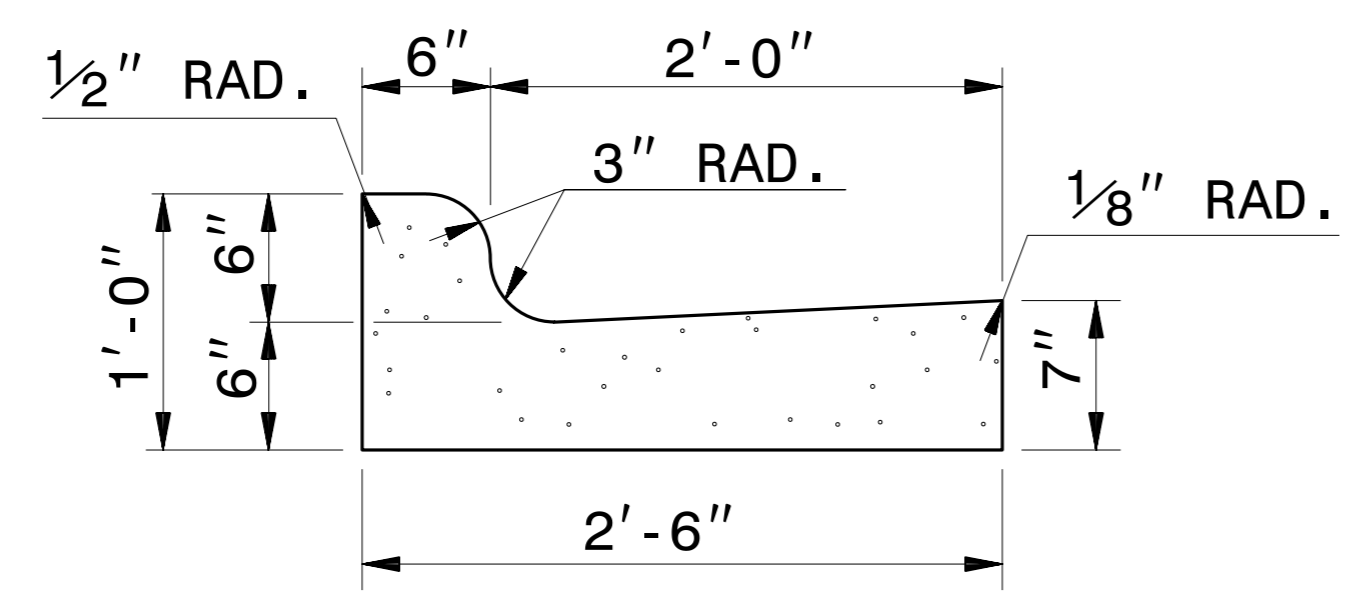
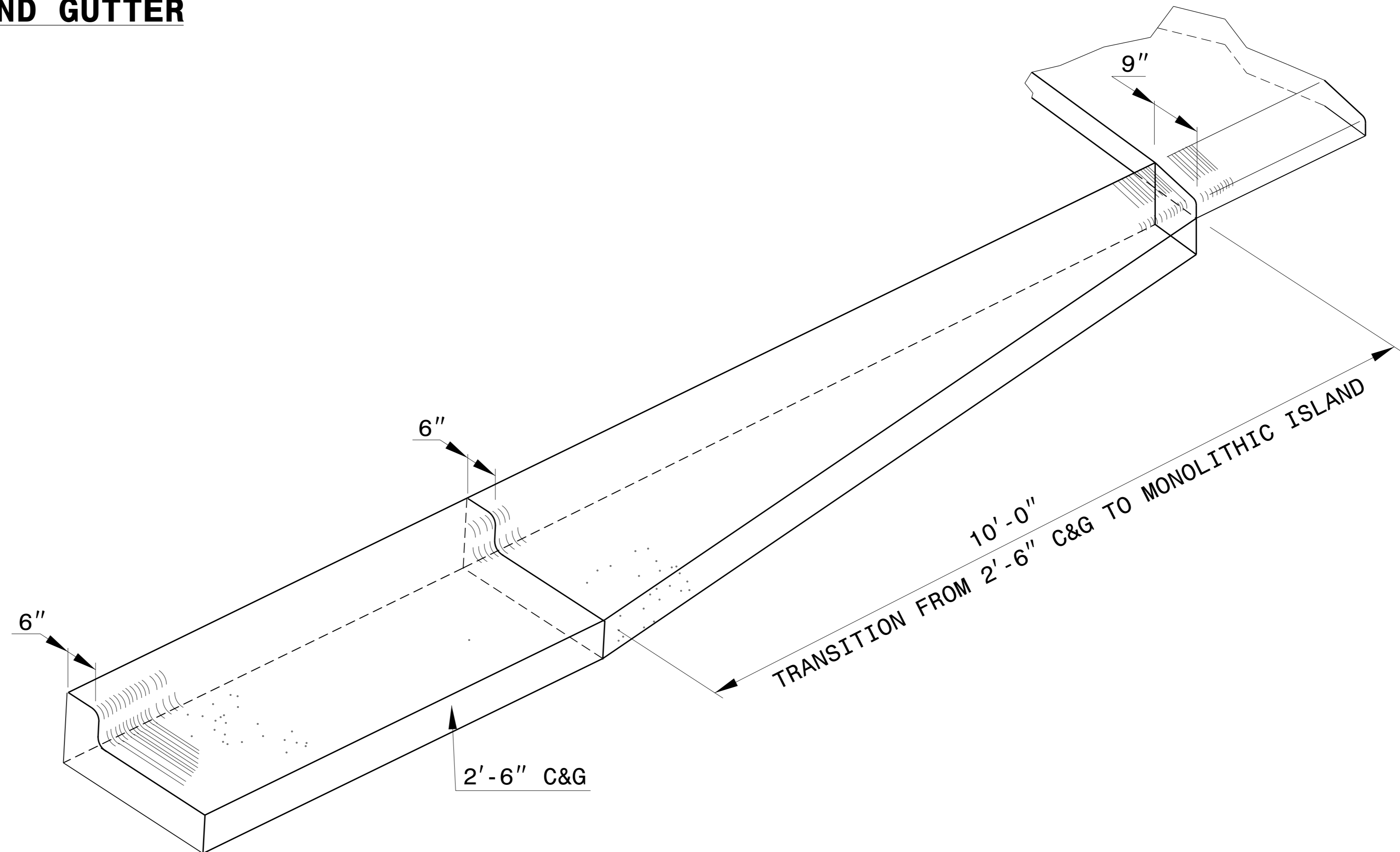


NOTE: SEE STD. DWG. 846.01 FOR ADDITIONAL CURB AND GUTTER INFORMATION.

SEE ROADWAY PLANS FOR LOCATION OF CURB TRANSITION.



2'-6" CURB AND GUTTER



ISOMETRIC VIEW OF TRANSITIONING CURB & GUTTER



2/2/2017

DOCUMENT NOT CONSIDERED FINAL UNLESS ALL SIGNATURES COMPLETED

CONTRACTS STANDARDS AND DEVELOPMENT UNIT
 Office 919-707-6950 FAX 919-250-4119

DETAIL OF 2'-6" CURB & GUTTER TRANSITION SECTION

ORIGINAL BY: _____ DATE: _____
 MODIFIED BY: KKEMPF DATE: 09-24-14
 CHECKED BY: _____ DATE: _____
 FILE SPEC.: kkempf/english/curb gutter transition.dgn