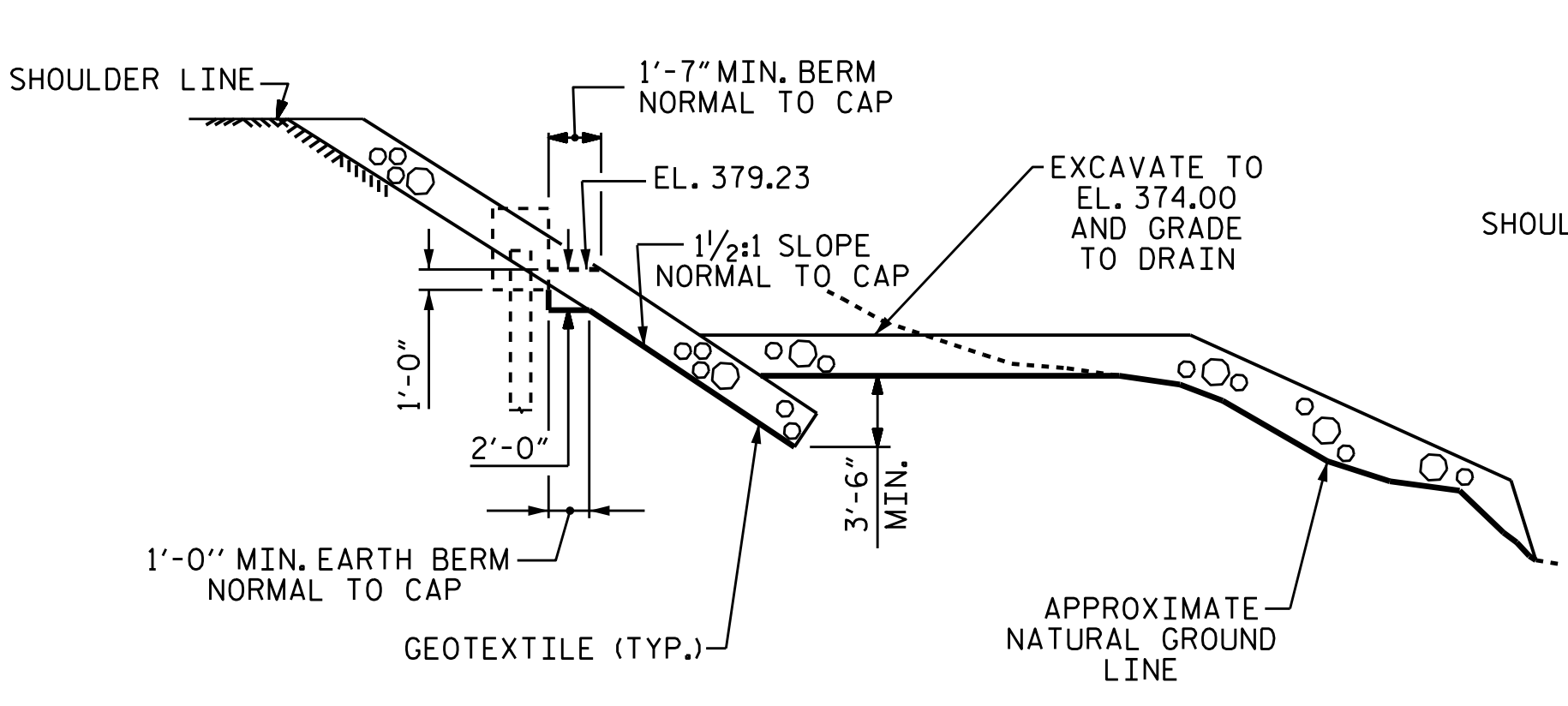
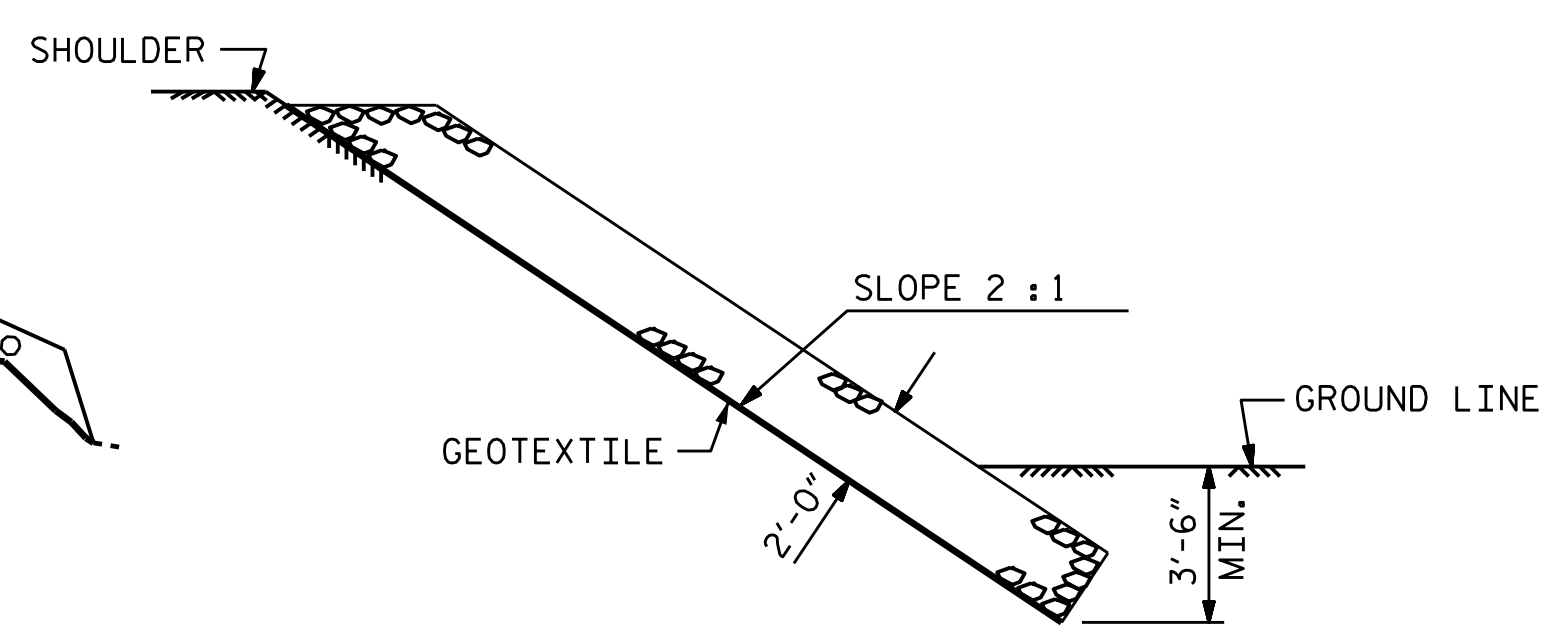


PLAN

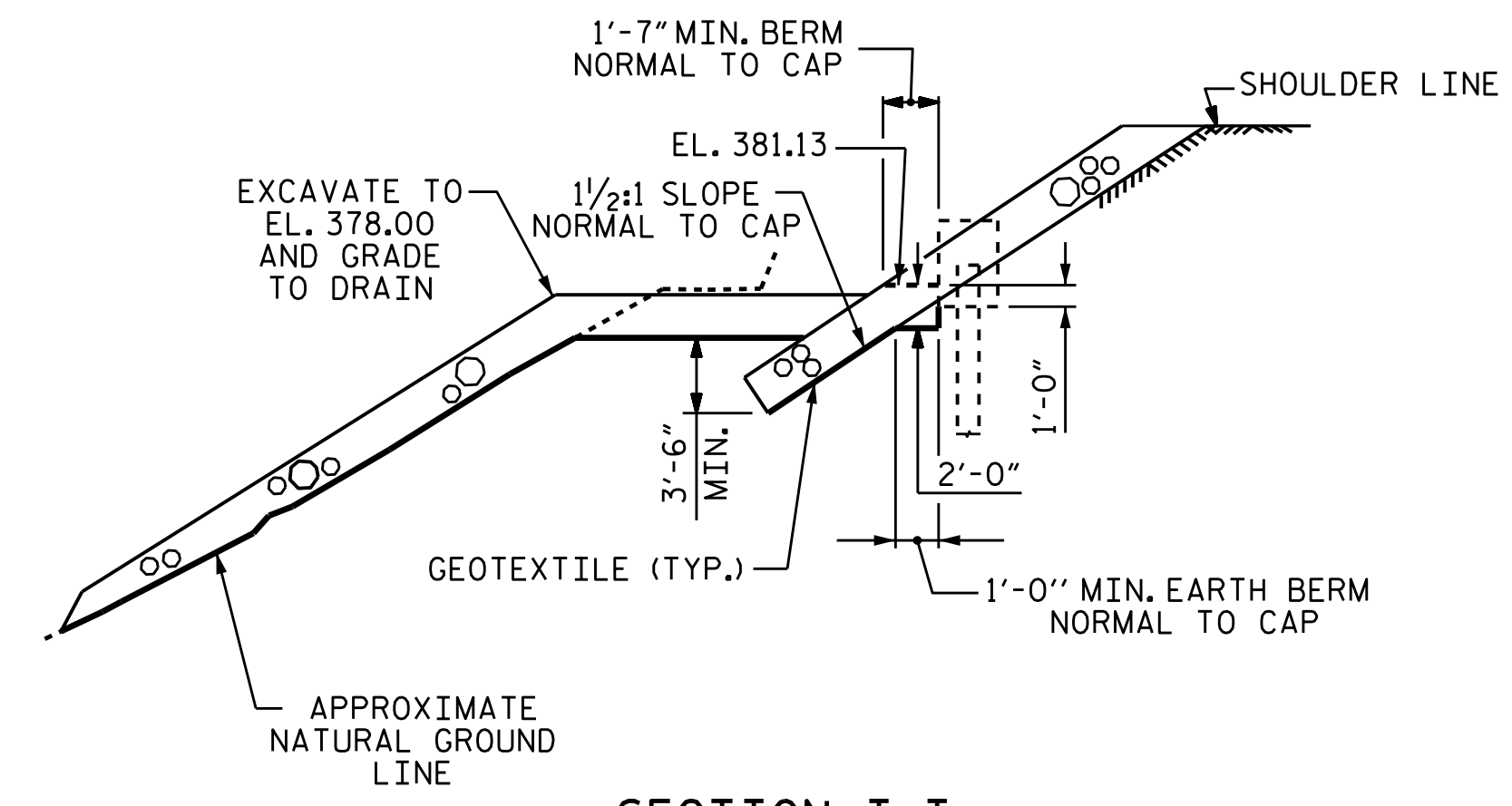
ESTIMATED QUANTITIES		
BRIDGE @ STA. 16+34.00 -L-	RIP RAP CLASS II (2'-0" THICK)	GEOTEXTILE FOR DRAINAGE
	TONS	SQUARE YARDS
END BENT 1	295	330
END BENT 2	245	270



SECTION H-H

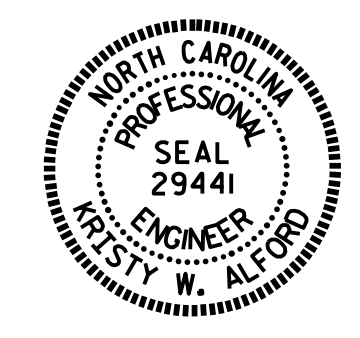


SECTION C-C



SECTION I-I

PROJECT NO. B-5166
GRANVILLE COUNTY
 STATION: 16+34.00 -L-



DocuSigned by:
 Westy W. Alford
 2/22/2017

STATE OF NORTH CAROLINA
 DEPARTMENT OF TRANSPORTATION
 RALEIGH

—RIP RAP DETAILS—

ASSEMBLED BY : T.L. AVERETTE	DATE : 04/16
CHECKED BY : J.P. ADAMS	DATE : 4/2016
DRAWN BY : REK 1/84	REV. 5/1/06R TLA/GM
CHECKED BY : ROU 1/84	REV. 10/1/11 MAA/GM
	REV. 12/21/11 MAA/GM

DOCUMENT NOT CONSIDERED
 FINAL UNLESS ALL
 SIGNATURES COMPLETED

REVISIONS						SHEET NO. 19
NO.	BY:	DATE:	NO.	BY:	DATE:	
1			3			TOTAL SHEETS 20
2			4			