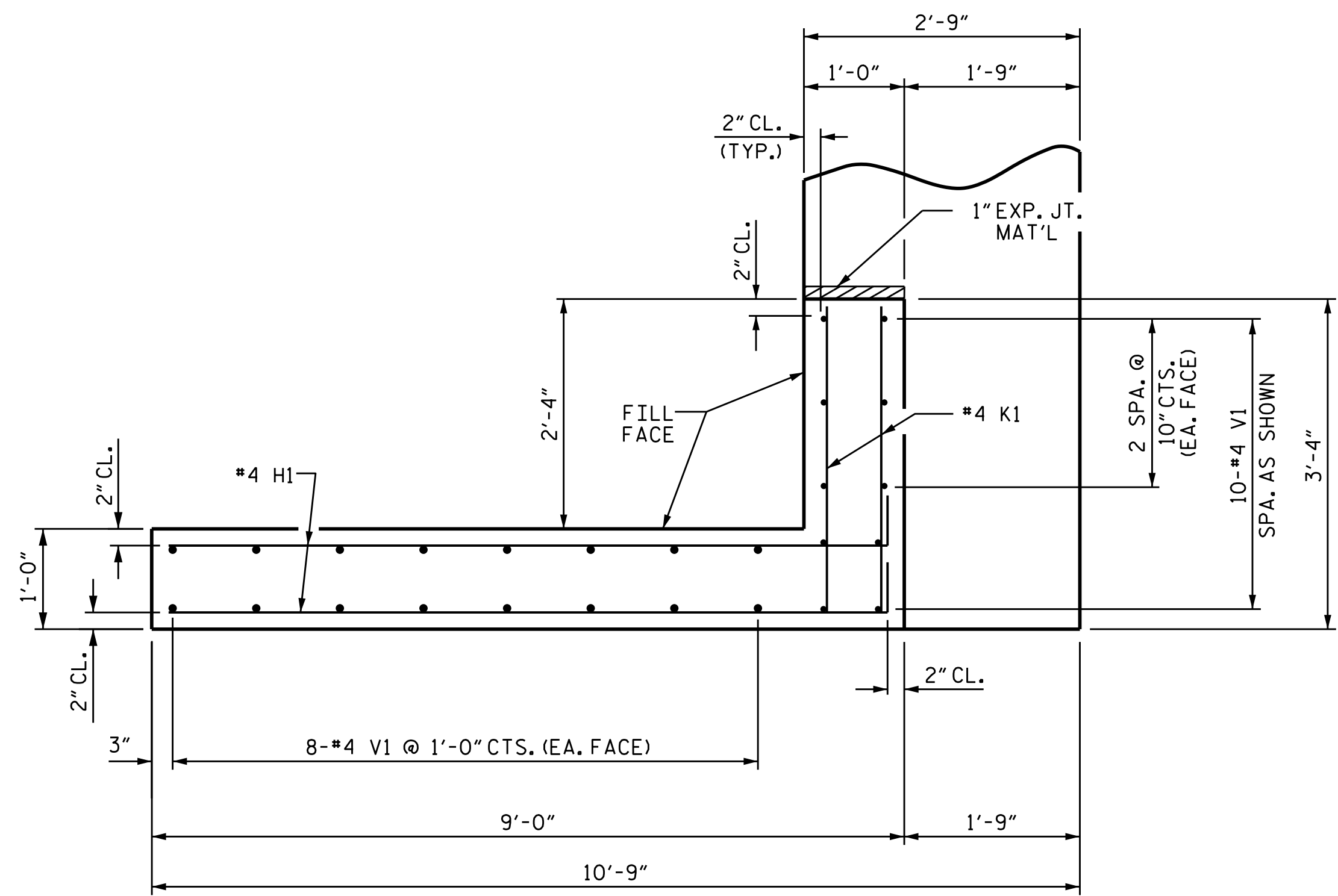
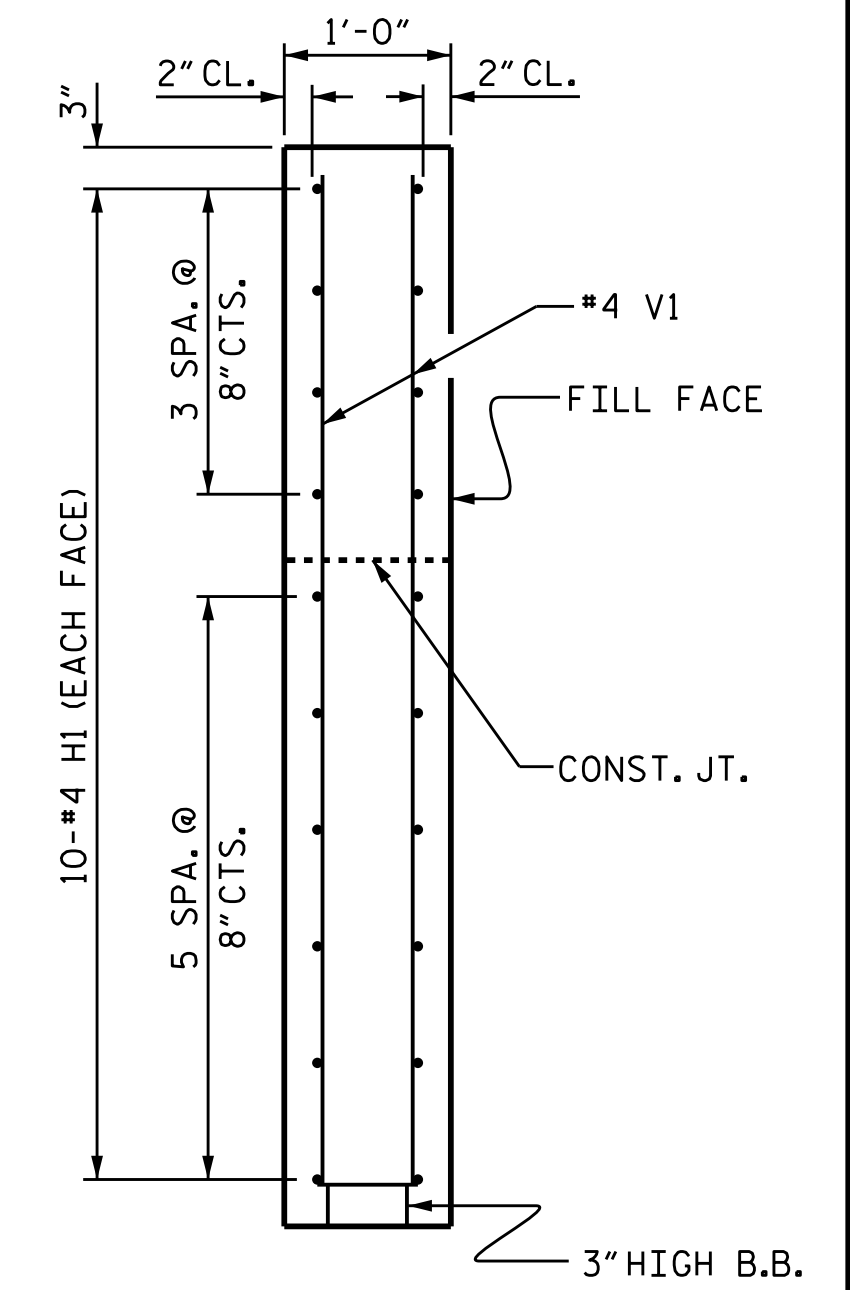


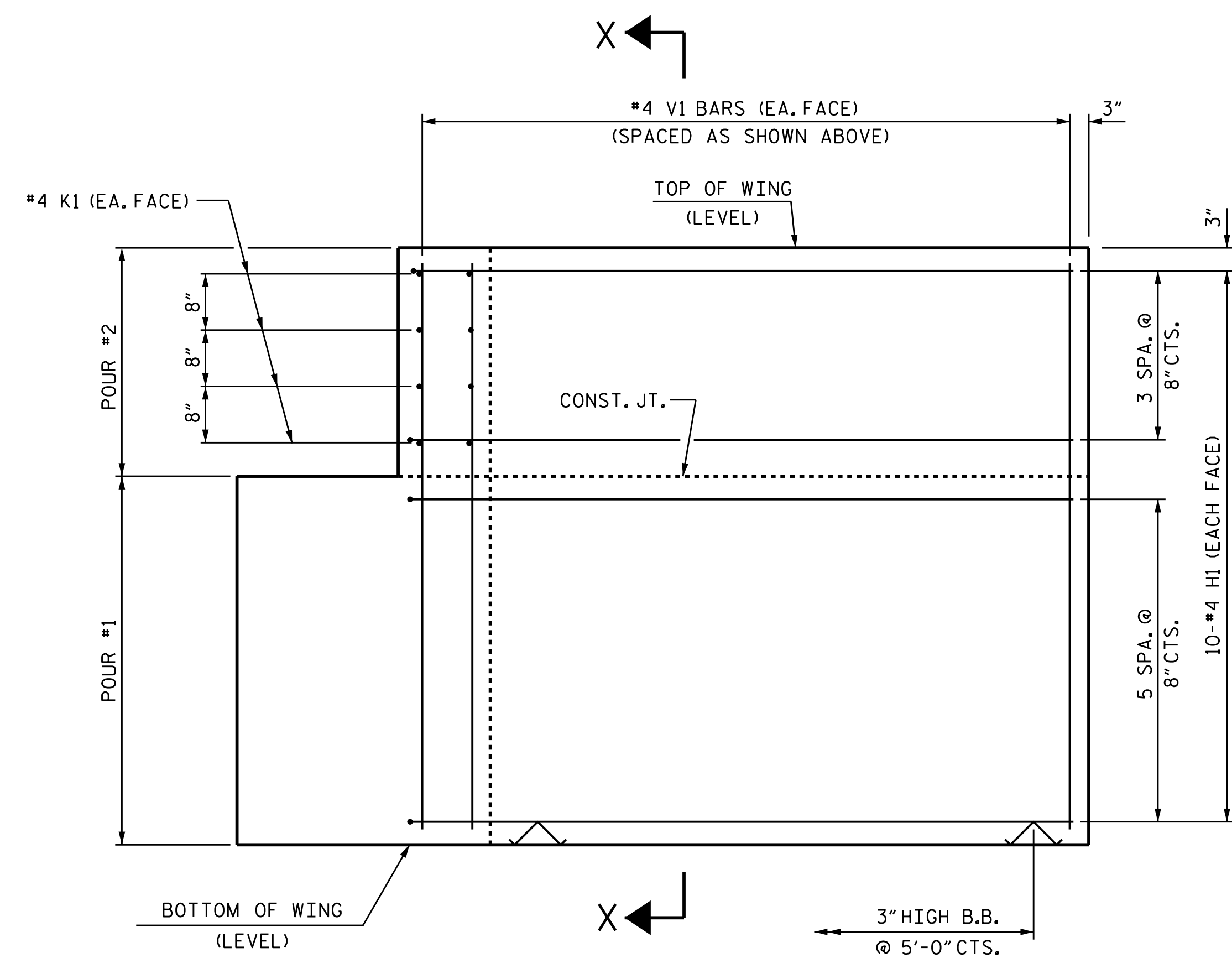
PLAN OF WING (W1)



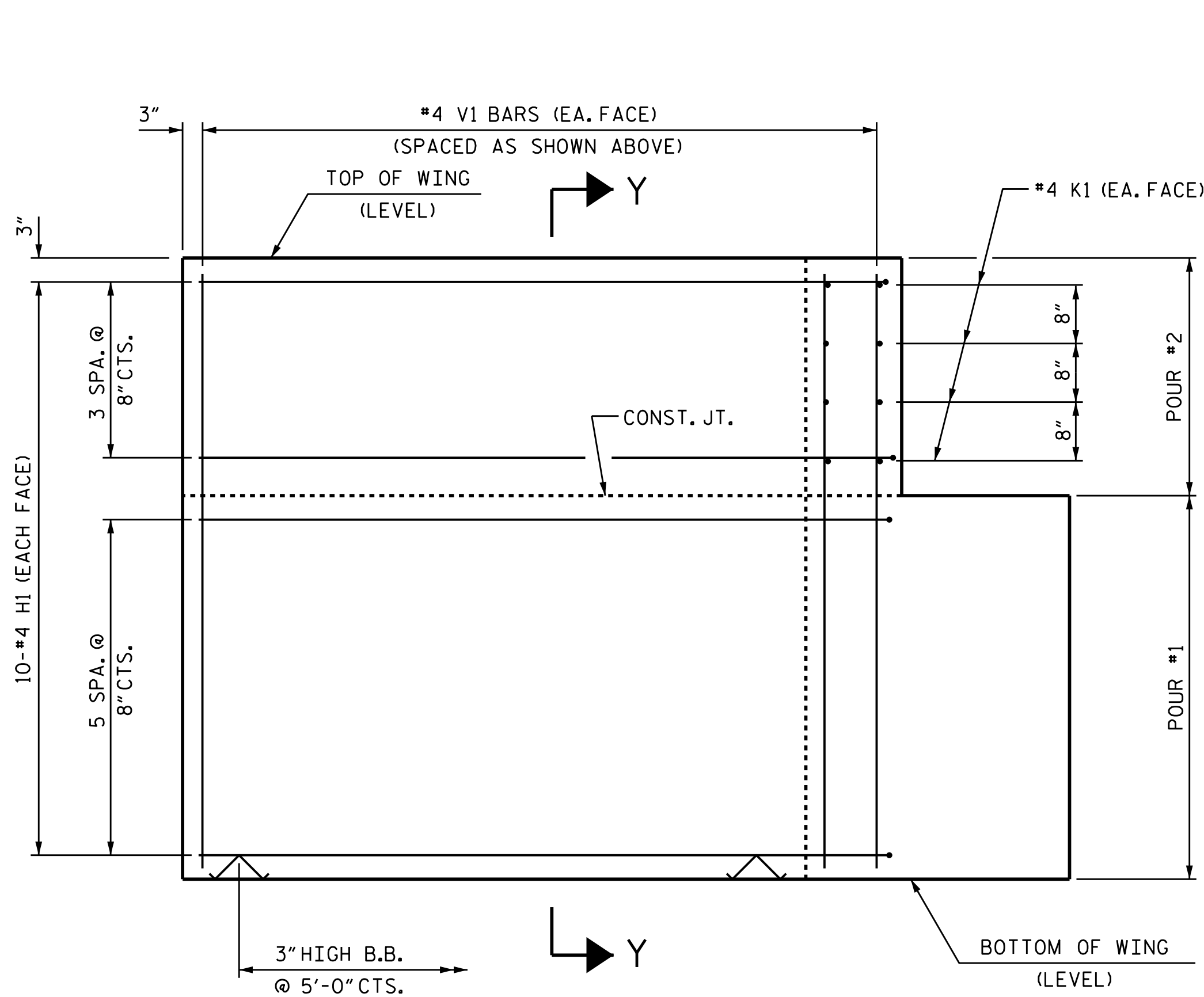
PLAN OF WING (W2)



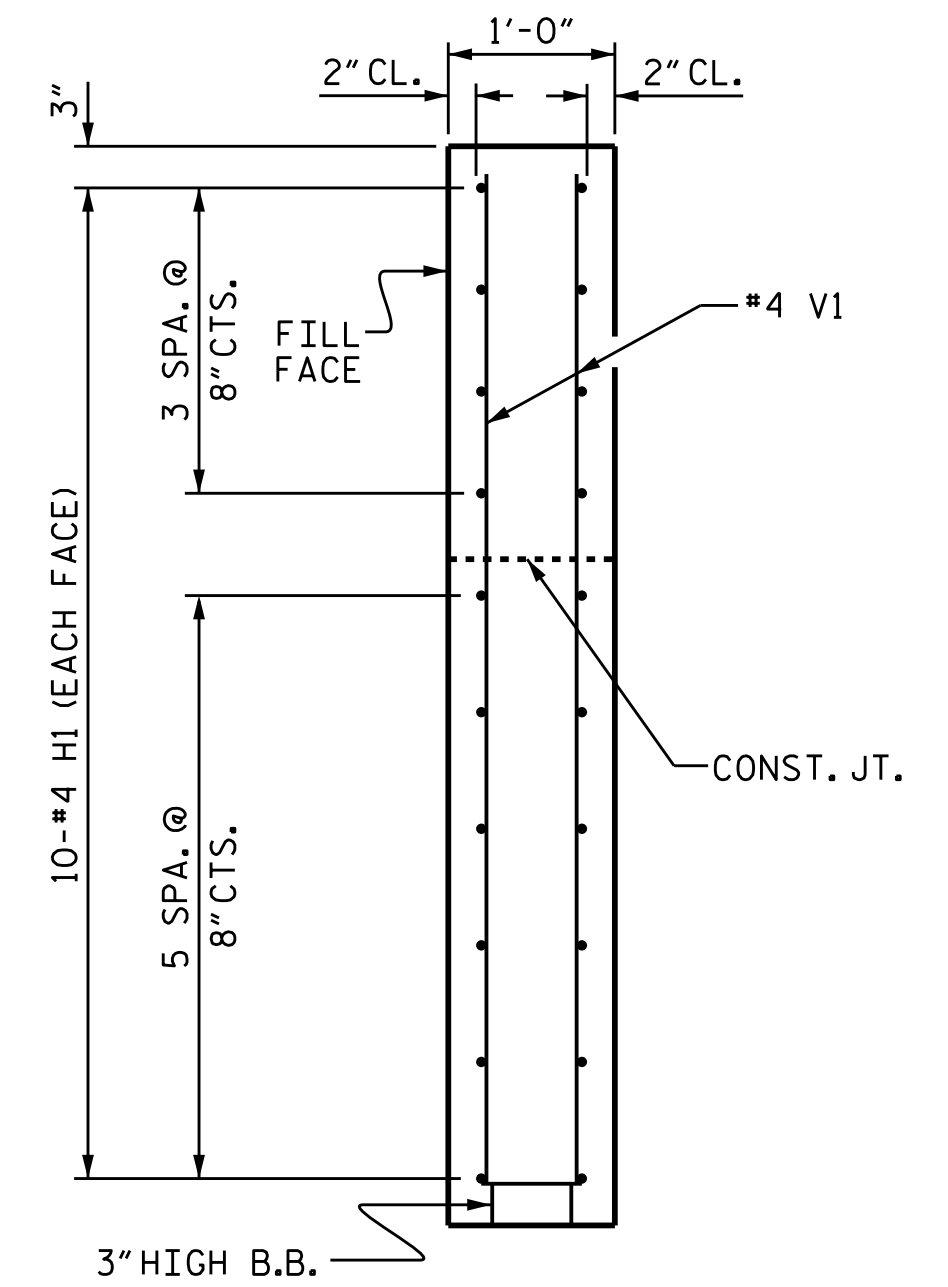
SECTION X-X



ELEVATION OF WING (W1)



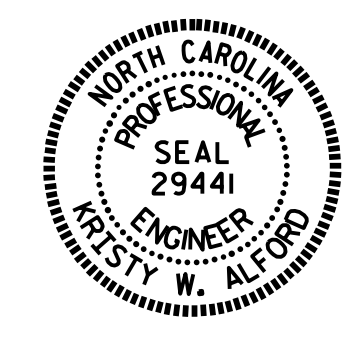
ELEVATION OF WING (W2)



SECTION Y-Y

PROJECT NO. B-5166
GRANVILLE COUNTY
 STATION: 16+34.00 -L-

SHEET 3 OF 4



STATE OF NORTH CAROLINA
 DEPARTMENT OF TRANSPORTATION
 RALEIGH
 SUBSTRUCTURE
 END BENT
 WING DETAILS

ASSEMBLED BY : T.L. AVERETTE	DATE : 04/16
CHECKED BY : J.P. ADAMS	DATE : 4/2016
DRAWN BY : WJH 12/11	
CHECKED BY : AAC 12/11	
REV. 4/15	MAA/TMG

DOCUMENT NOT CONSIDERED FINAL UNLESS ALL SIGNATURES COMPLETED

REVISIONS						SHEET NO.	
NO.	BY:	DATE:	NO.	BY:	DATE:	S-15	
1			3			TOTAL SHEETS 20	
2			4				