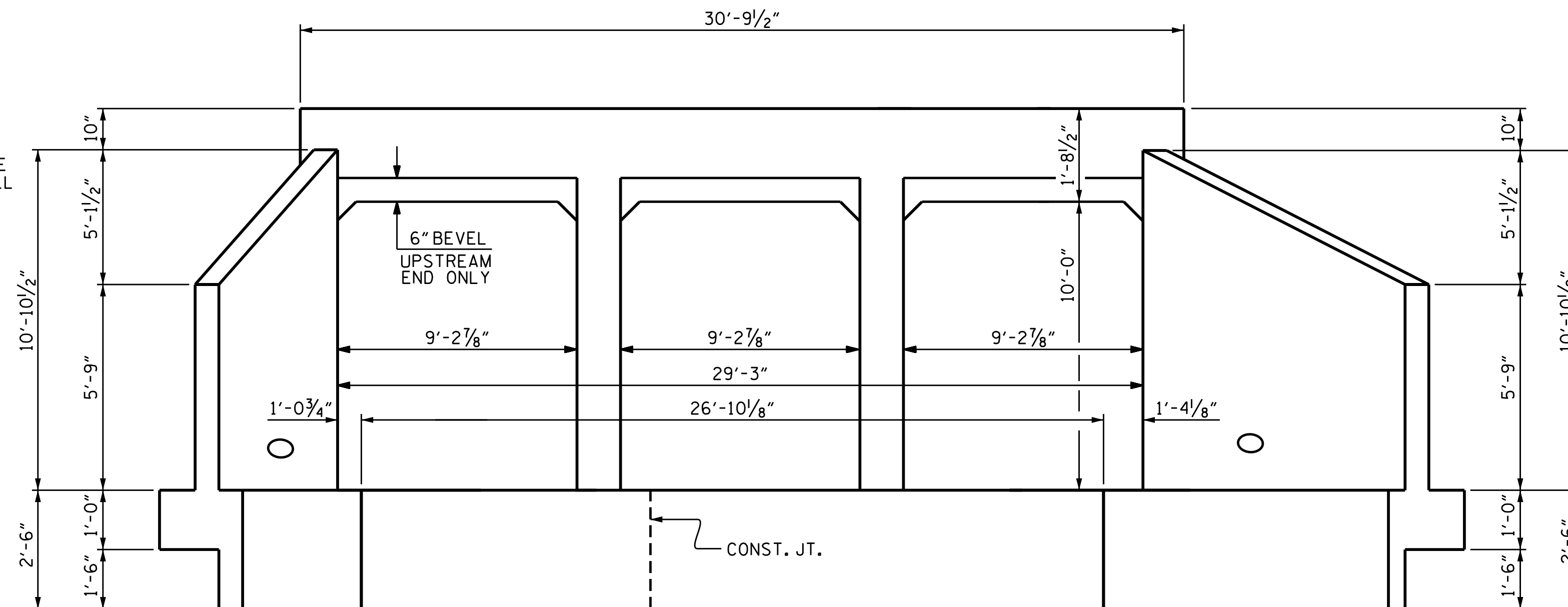
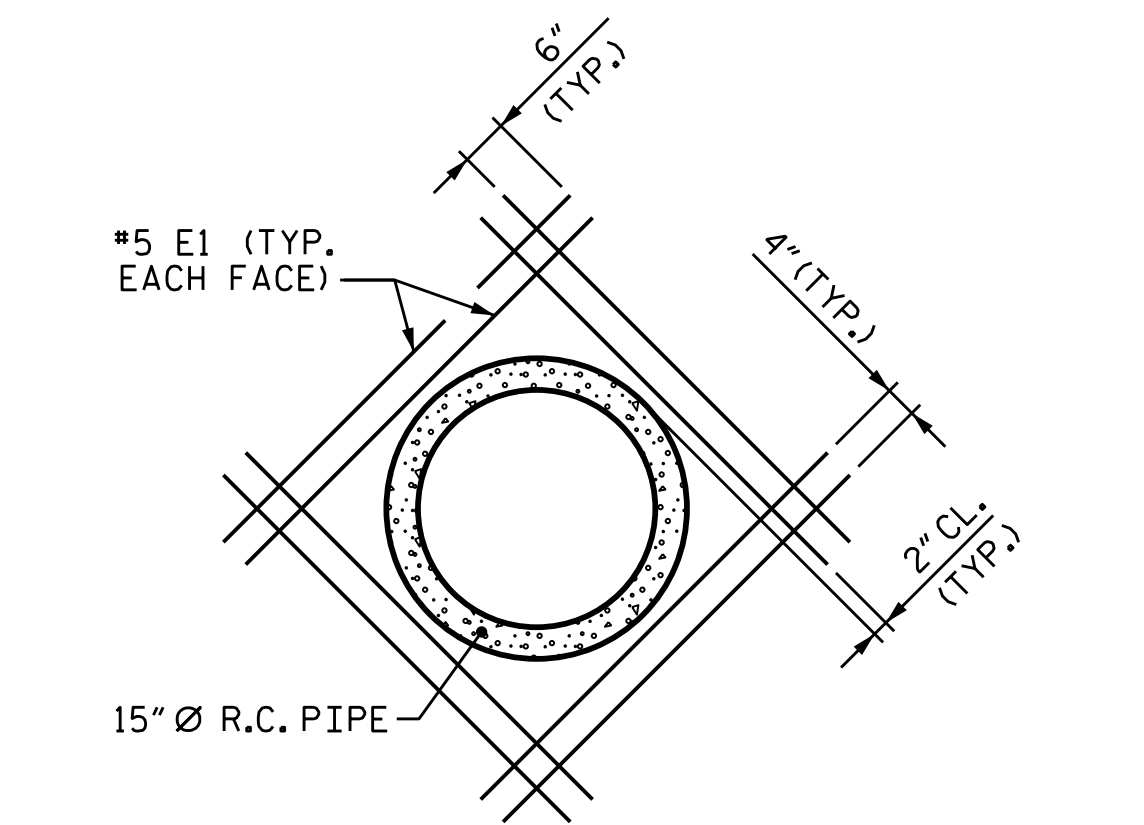


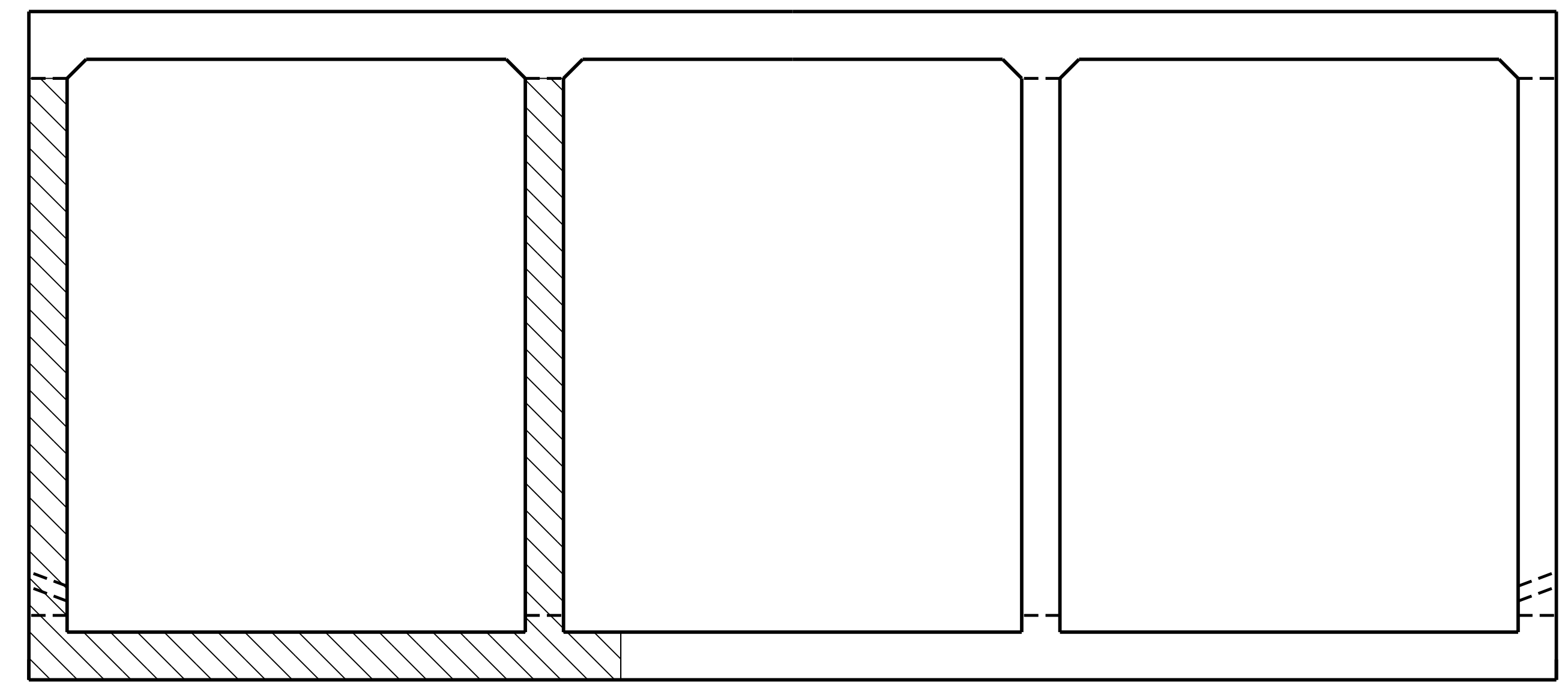
EXTERIOR WALL INTERIOR WALL
CULVERT SECTION NORMAL TO ROADWAY



PHASE 1 PHASE 2
END ELEVATION NORMAL TO SKEW
 (LOOKING DOWNSTREAM)

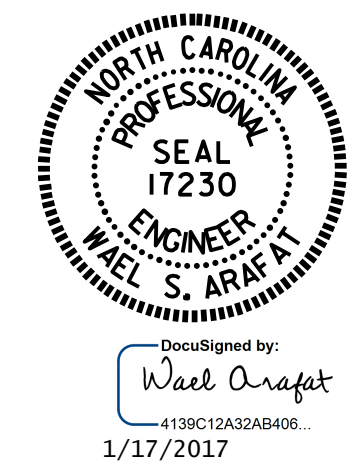


DETAIL OF REINFORCING AROUND 15" Ø PIPE



PHASING SEQUENCE
 (LOOKING DOWNSTREAM)

I HEREBY CERTIFY THESE PLANS
 ARE THE AS-BUILT PLANS



PROJECT NO. I-5000
GASTON COUNTY
 STATION: 18+50.00 -RPD-

SHEET 3 OF 7
 STATE OF NORTH CAROLINA
 DEPARTMENT OF TRANSPORTATION
 RALEIGH
 TRIPLE 8 FT. X 10 FT.
 RCBC
 66°-00'-00" SKEW

DOCUMENT NOT CONSIDERED
 FINAL UNLESS ALL
 SIGNATURES COMPLETED

REVISIONS						SHEET NO.
NO.	BY:	DATE:	NO.	BY:	DATE:	C-21
1			3			TOTAL SHEETS
2			4			26

REVISED 11-19-99 BY M.M. CHECKED BY R.W.W.
 REVISED 8-28-92 BY E.L.R. CHECKED BY G.R.P.
 REDRAWN NOV. 1990 BY B.E.W., CHECKED BY M.A.J.

ASSEMBLED BY : <u>H. T. BARBOUR</u>	DATE : <u>9-27-16</u>	SPECIAL
CHECKED BY : <u>A. M. LEE</u>	DATE : <u>10-16</u>	
DESIGN ENGINEER OF RECORD: <u>O. PUIGCERVER</u>	DATE : <u>10-16</u>	
DRAWN BY : <u>H.A. JUDEH</u>	DATE : <u>JULY 15, 1971</u>	STANDARD
CHECKED BY : <u>RALPH D. UNDERWOOD</u>	DATE : <u>AUG. 4, 1971</u>	