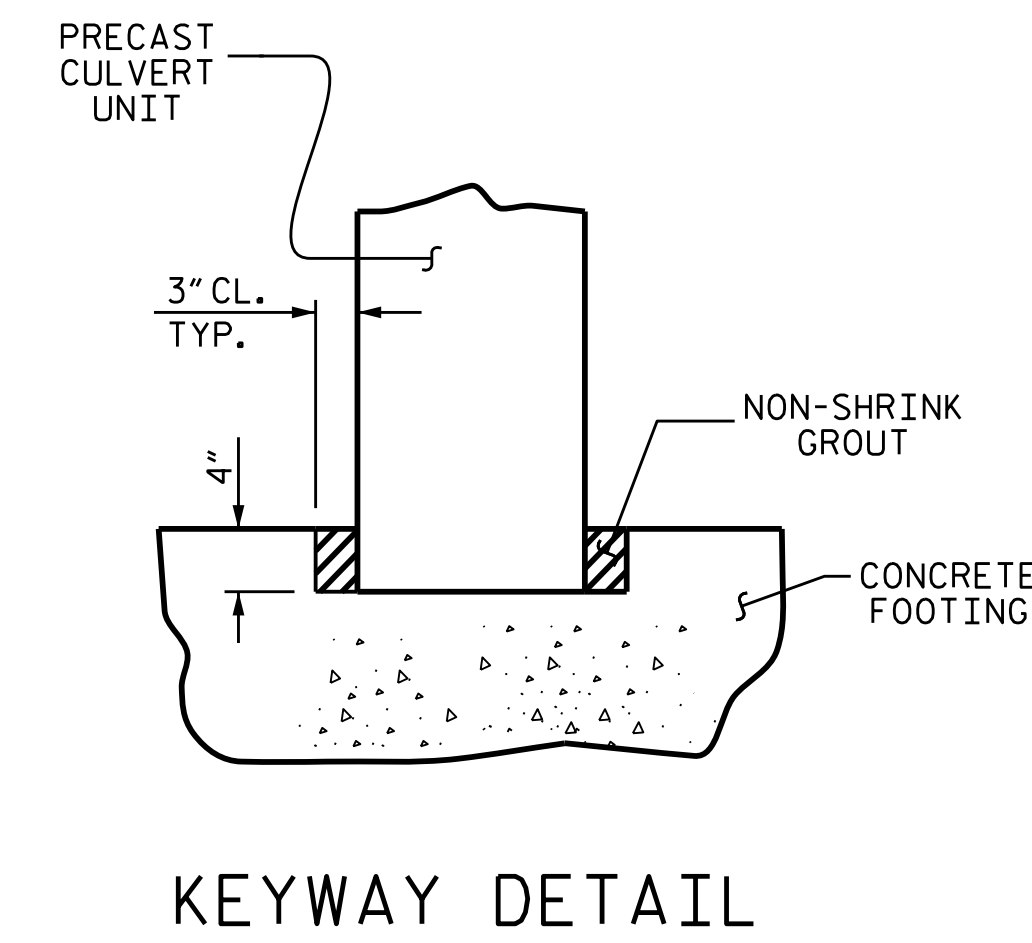
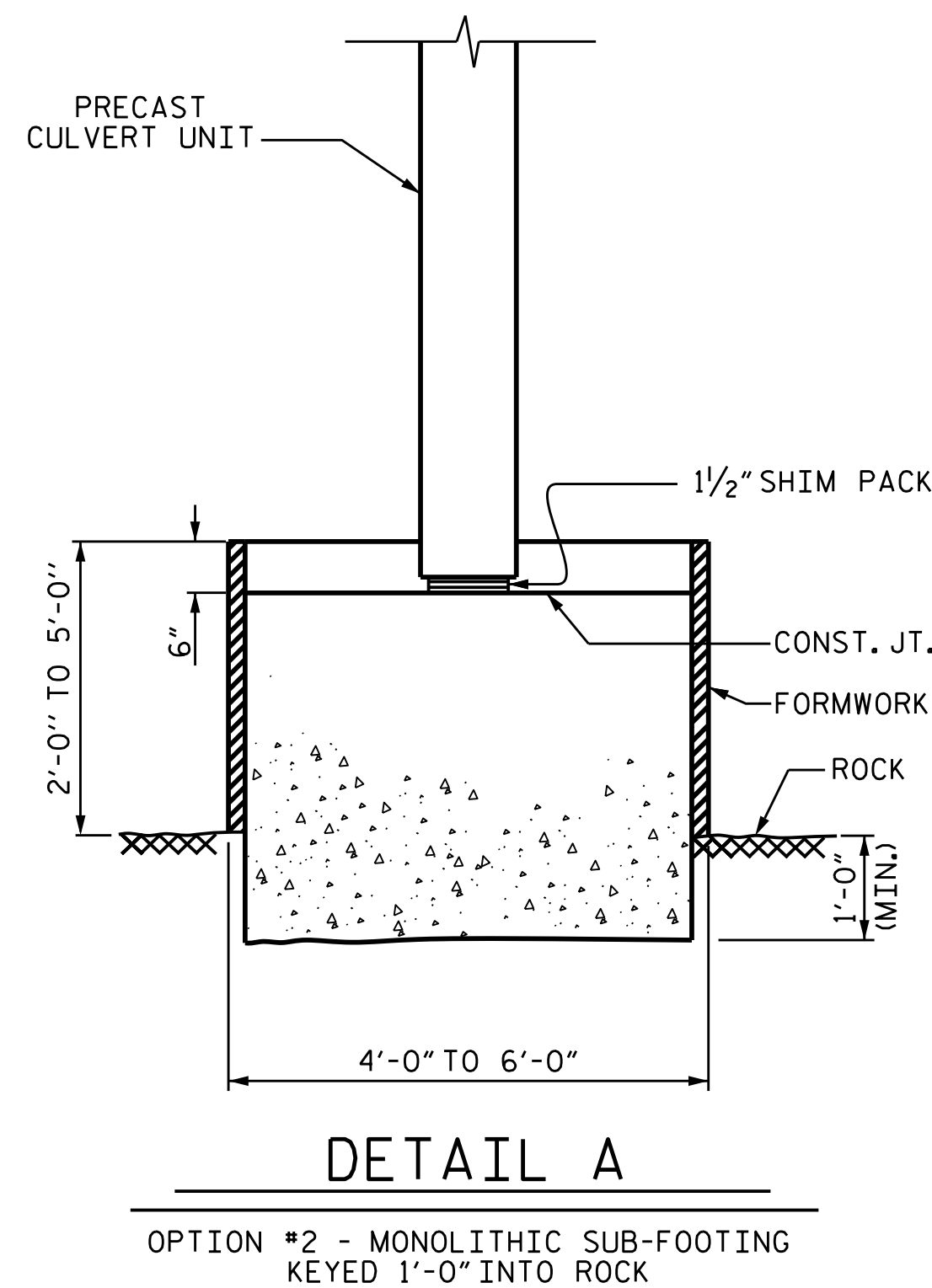
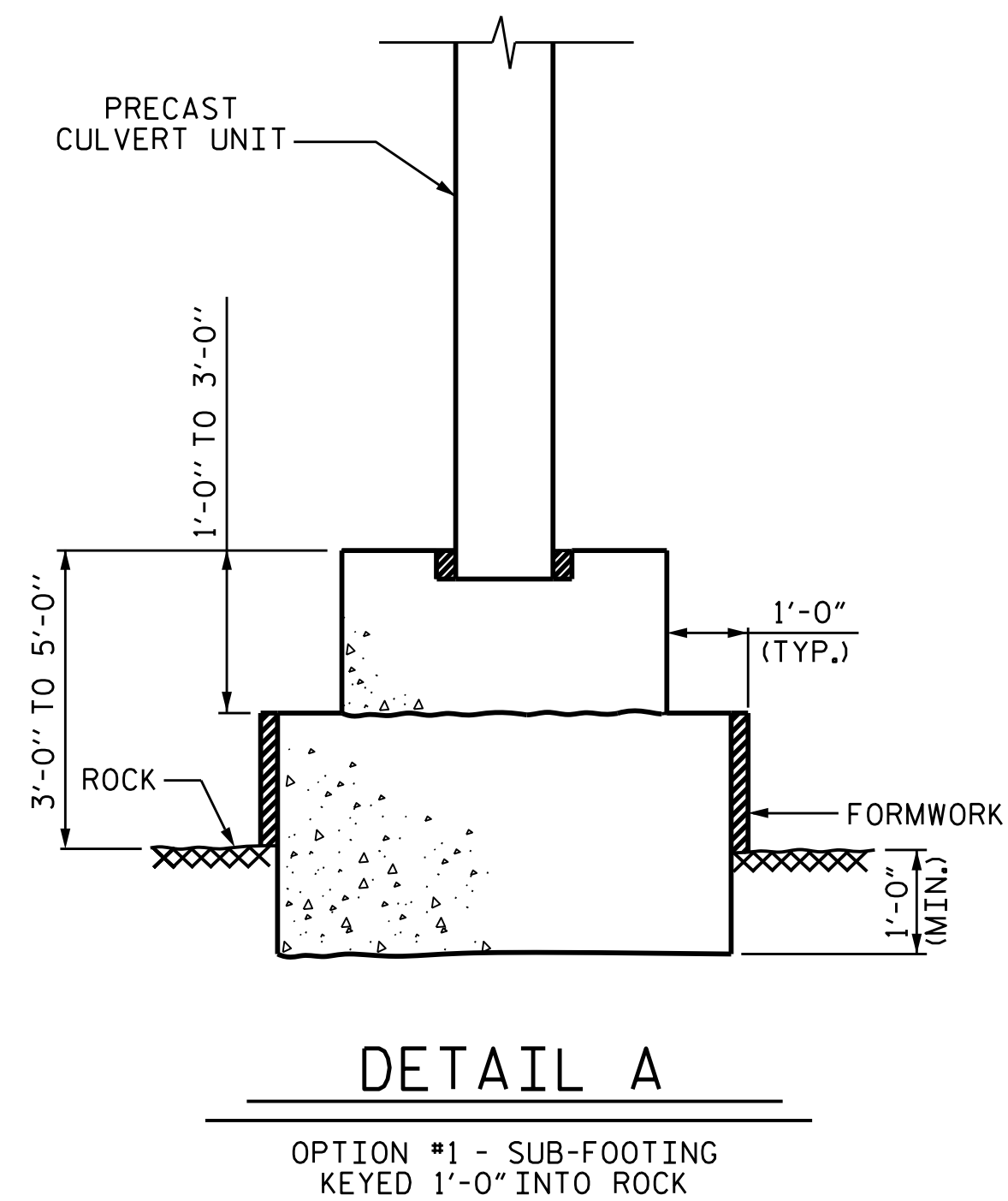
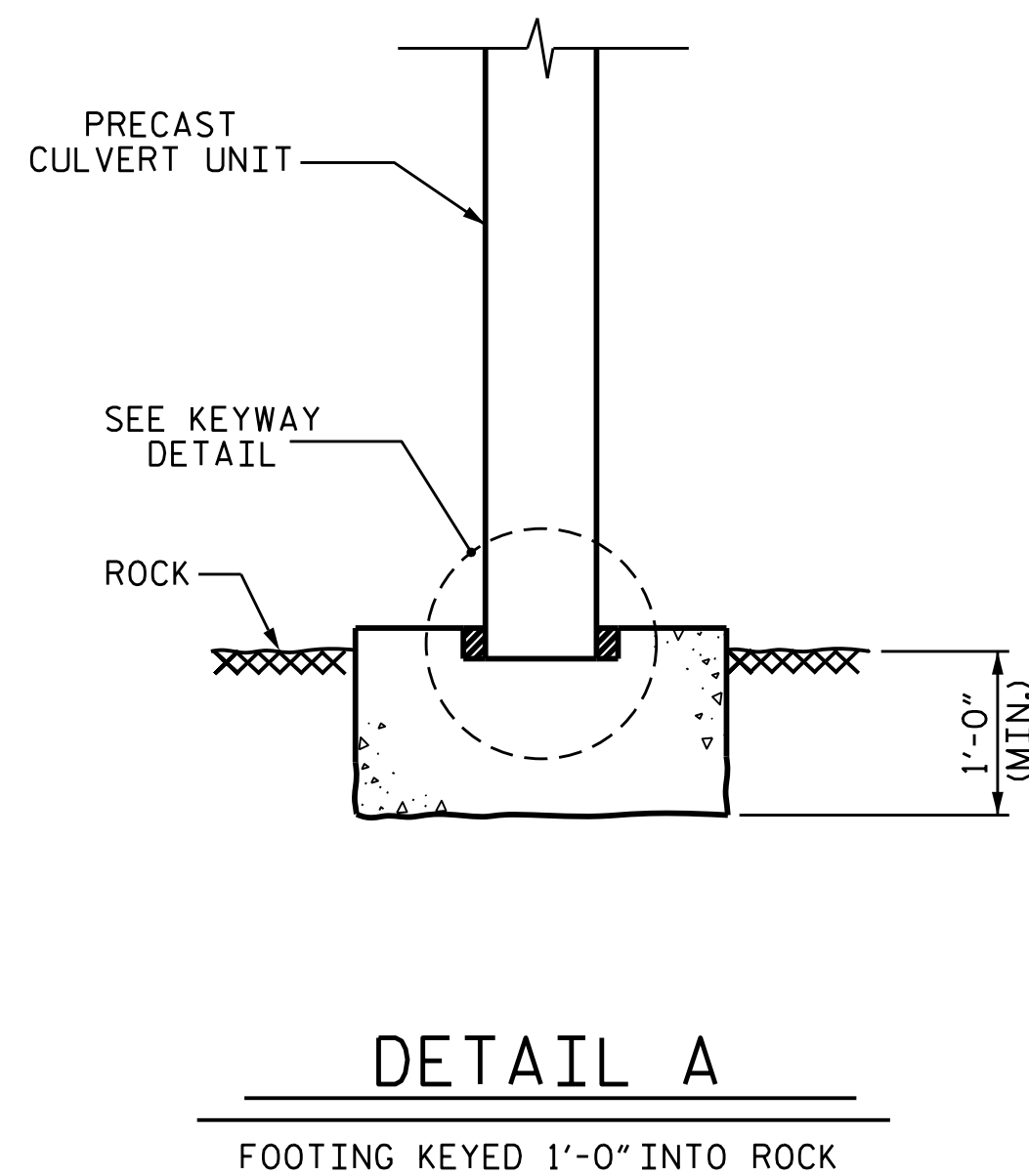


RIGHT ANGLE SECTION OF PRECAST CONCRETE THREE-SIDED CULVERT

SECTION B-B

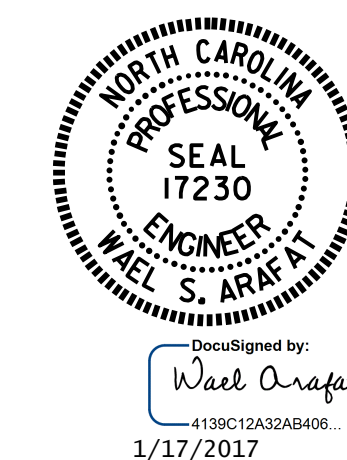


NOTE:
 OPTIONS #1 AND #2 REPRESENT THE FOUNDATION ALTERNATIVES WHEN THE ROCKLINE IS BELOW THE FOOTING.

PROJECT NO. I-5000
GASTON COUNTY
 STATION: 22+34.00 -Y3-

SHEET 3 OF 3

STATE OF NORTH CAROLINA
 DEPARTMENT OF TRANSPORTATION
 RALEIGH
PRECAST REINFORCED CONCRETE THREE-SIDED CULVERT
 90° SKEW



DRAWN BY : H. T. BARBOUR DATE : 11-29-16
 CHECKED BY : T. L. AVERETTE DATE : 11-16

DOCUMENT NOT CONSIDERED FINAL UNLESS ALL SIGNATURES COMPLETED

REVISIONS						SHEET NO.
NO.	BY:	DATE:	NO.	BY:	DATE:	C-7
1			3			TOTAL SHEETS
2			4			26