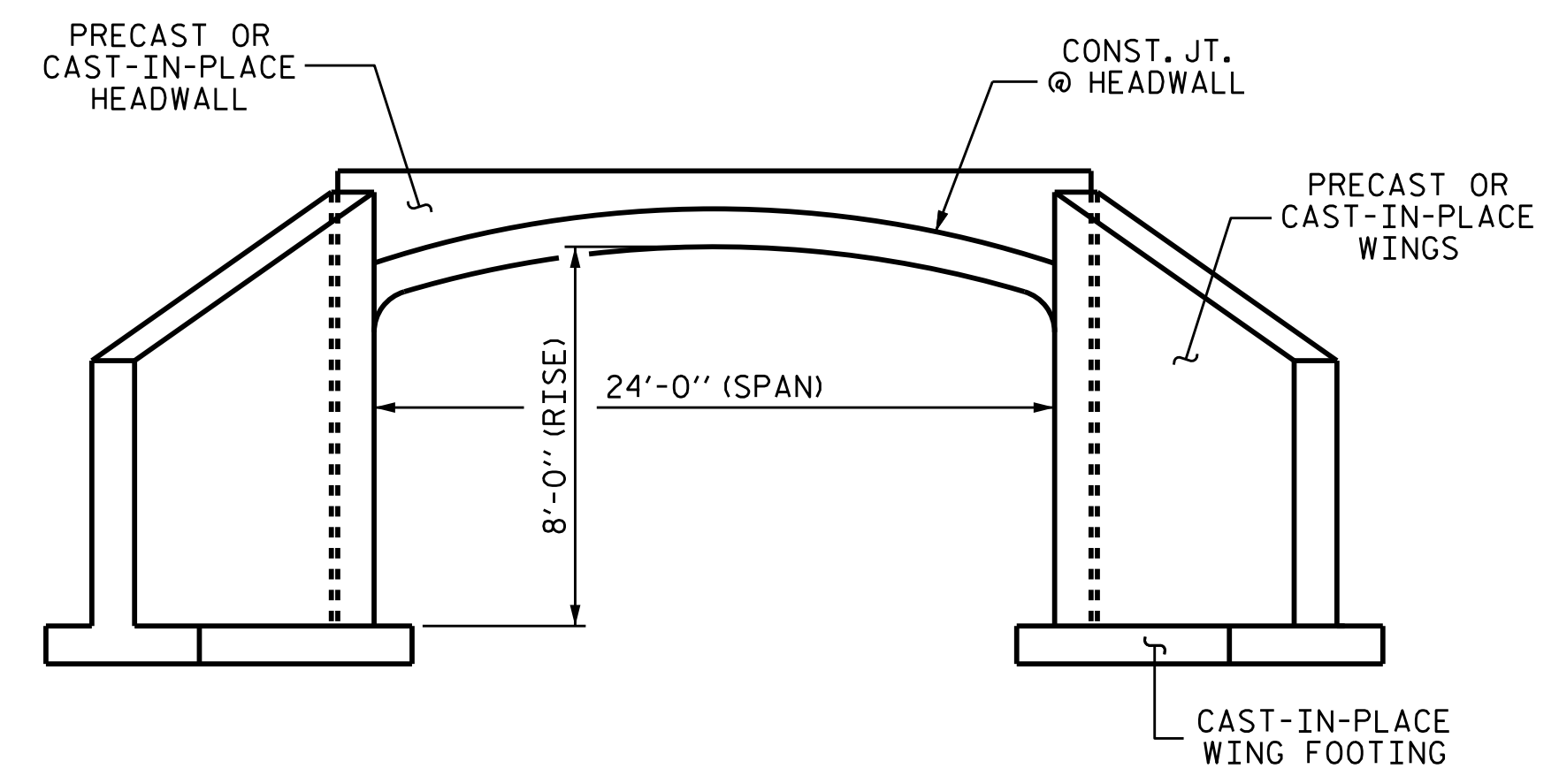
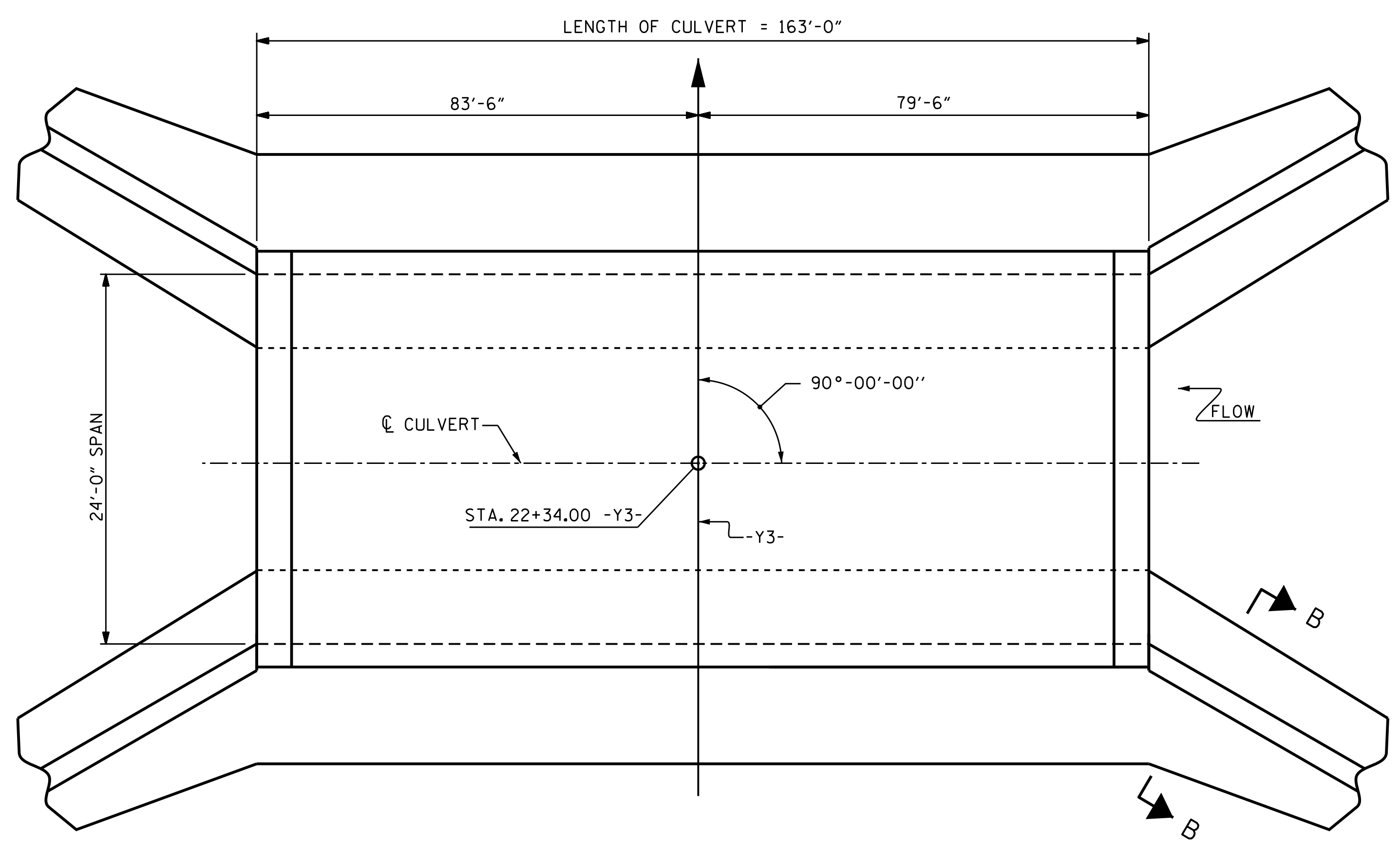


CULVERT SECTION NORMAL TO ROADWAY

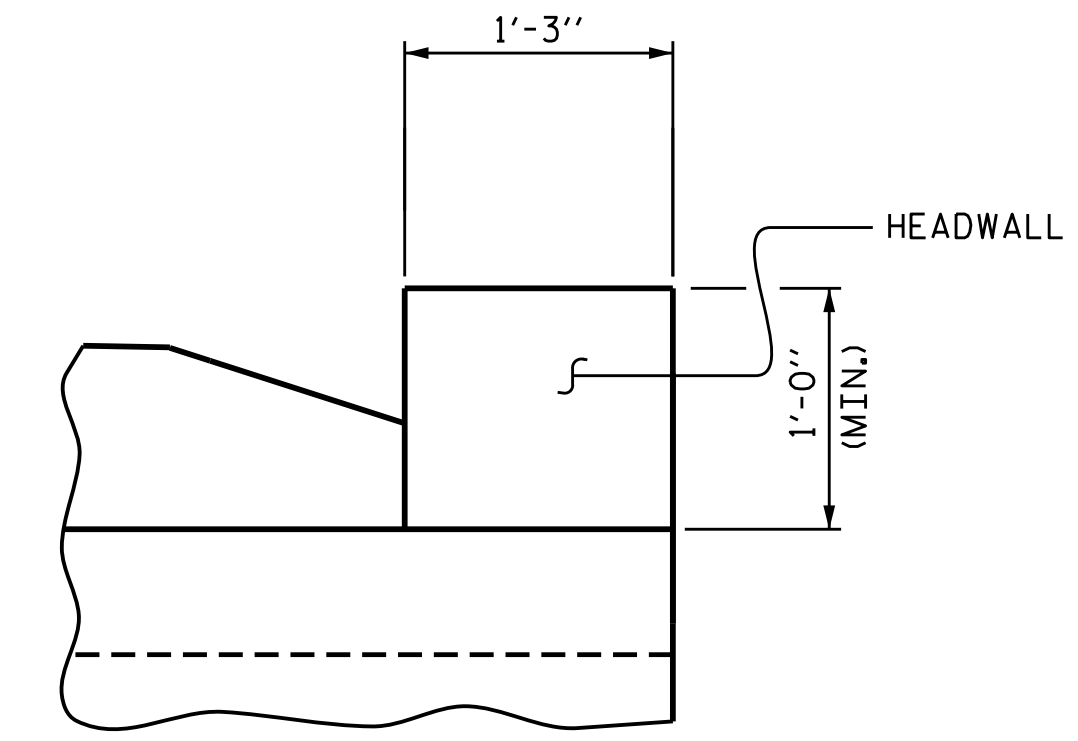


END ELEVATION



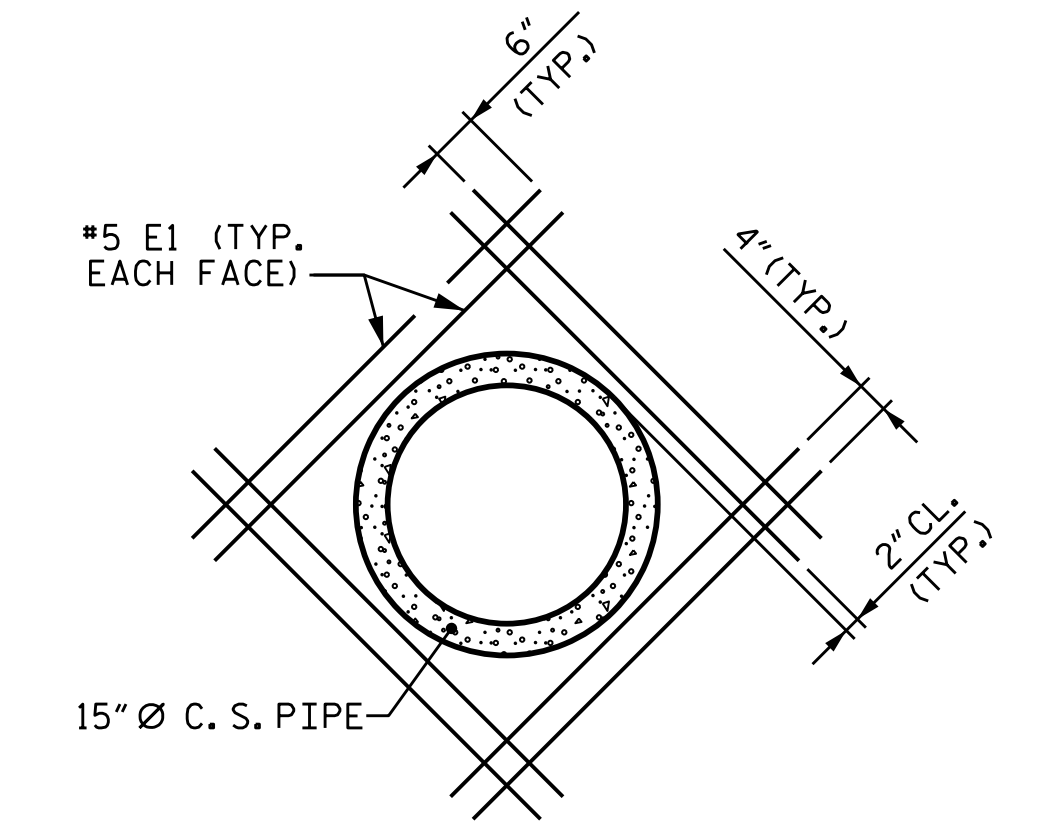
LENGTH FOR PRECAST THREE-SIDED CULVERT

NOTE: SEE SHEET 3 OF 3 FOR SECTION B-B



SECTION THRU HEADWALL

BEVEL AT INLET END NOT SHOWN

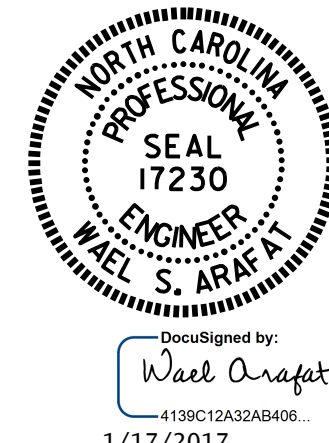


DETAIL OF REINFORCING AROUND 15" Ø PIPE

I HEREBY CERTIFY THESE PLANS ARE THE AS-BUILT PLANS

PROJECT NO. I-5000
GASTON COUNTY
 STATION: 22+34.00 -Y3-

SHEET 2 OF 3



STATE OF NORTH CAROLINA
 DEPARTMENT OF TRANSPORTATION
 RALEIGH
 PRECAST REINFORCED
 CONCRETE THREE-SIDED
 CULVERT
 90° SKEW

DRAWN BY : H. T. BARBOUR DATE : 11-29-16
 CHECKED BY : T. L. AVERETTE DATE : 11-16

DOCUMENT NOT CONSIDERED FINAL UNLESS ALL SIGNATURES COMPLETED

REVISIONS						SHEET NO. C-6
NO.	BY:	DATE:	NO.	BY:	DATE:	
1			3			TOTAL SHEETS 26
2			4			