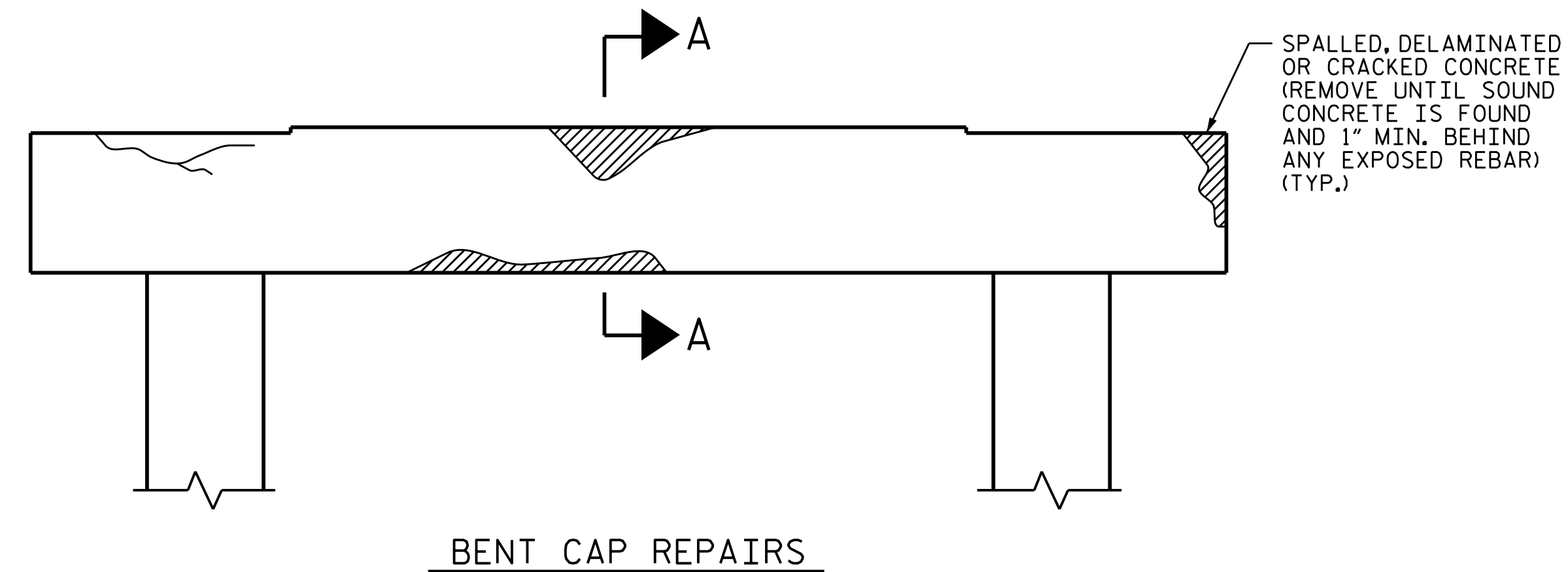
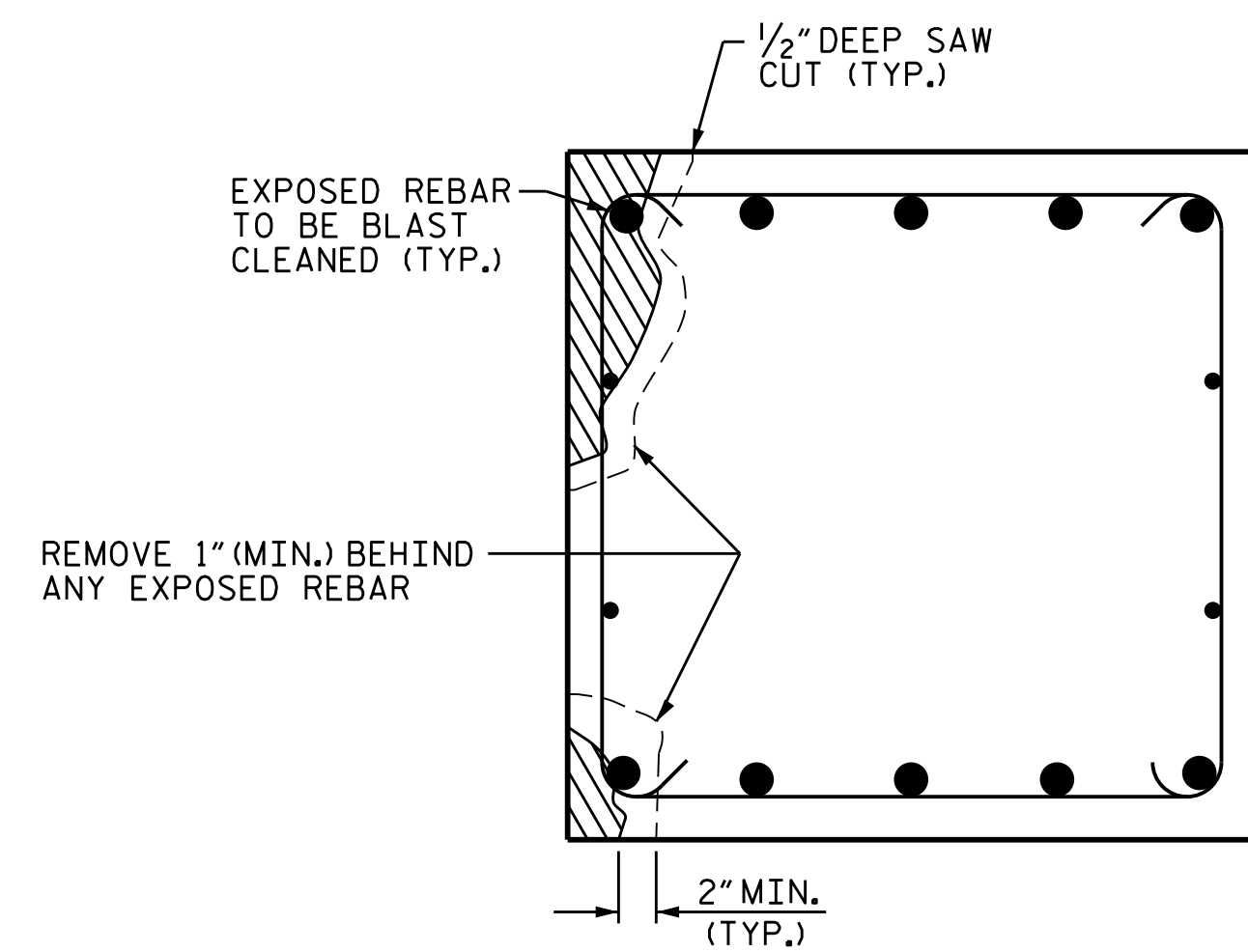


NOTE

TYPICAL REPAIRS FOR ROUND-COLUMNED BENTS ARE SHOWN. REPAIR DETAILS SIMILAR FOR END BENT CAPS AND SQUARE-COLUMNED BENTS.

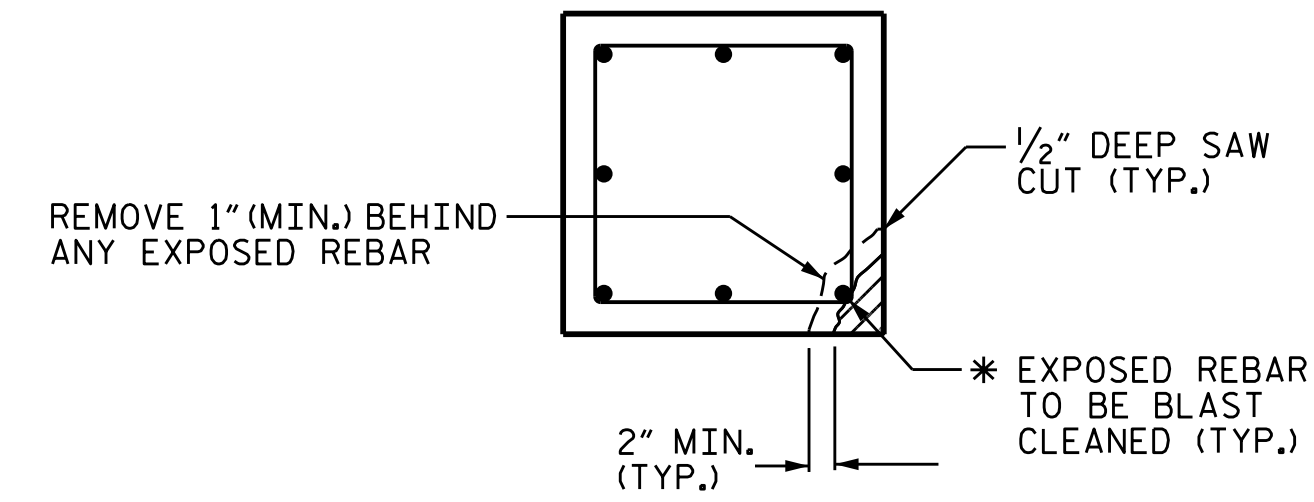


BENT CAP REPAIRS

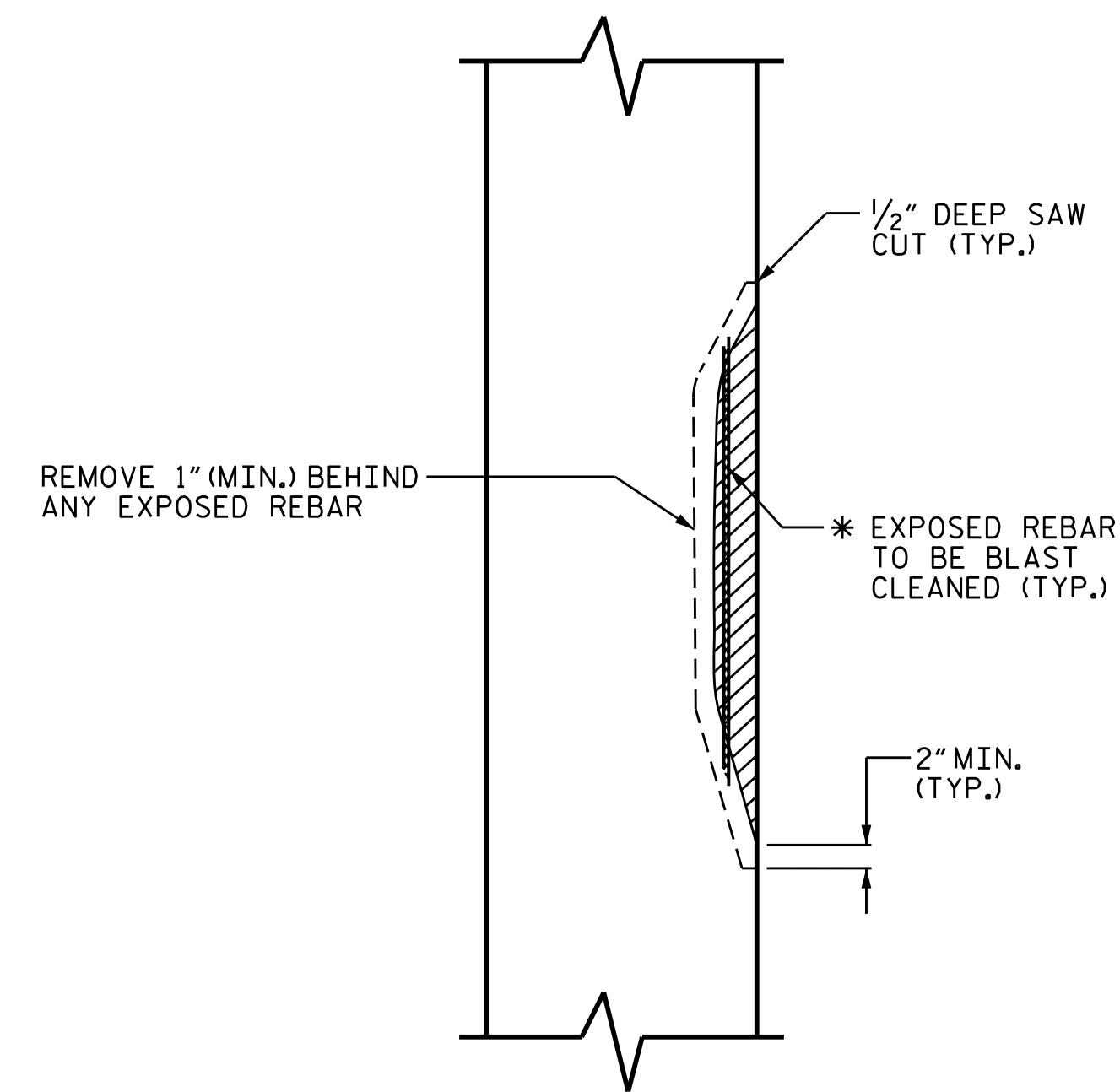


SECTION A-A

CAP REPAIR



PLAN OF COLUMN

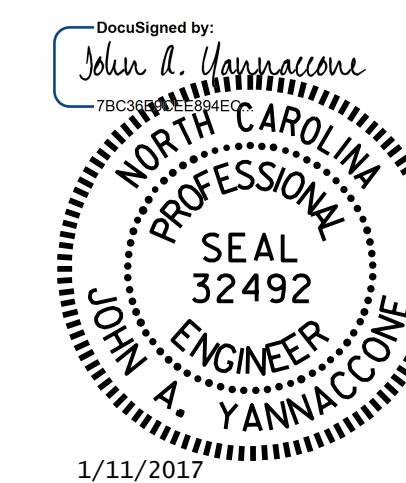


ELEVATION OF COLUMN

COLUMN REPAIR

* REPAIR LENGTH SHALL NOT EXCEED 10 FEET.

PROJECT NO. I-5000
GASTON COUNTY
 BRIDGE NO. 120



STATE OF NORTH CAROLINA
 DEPARTMENT OF TRANSPORTATION
 RALEIGH

**TYPICAL CAP
 AND COLUMN
 REPAIR DETAILS**

DRAWN BY : J. YANNACCONI DATE : 1/16
 CHECKED BY : S. WANCE DATE : 1/16

DOCUMENT NOT CONSIDERED
 FINAL UNLESS ALL
 SIGNATURES COMPLETED

REVISIONS						SHEET NO.
NO.	BY:	DATE:	NO.	BY:	DATE:	TOTAL SHEETS
1			3			S-30
2			4			30